

PLAYSKOOL**PLAYSOUNDS™ SINK INSTRUCTIONS**

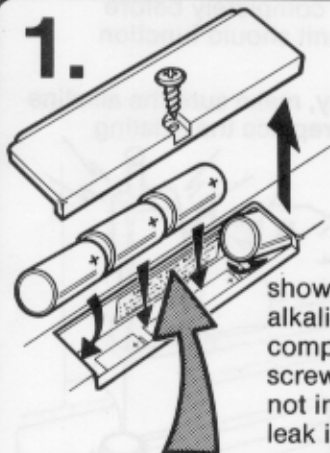
Come and get it! Welcome to the wonderful world of Playsounds with all the fun sounds and excitement you'll find in a real kitchen! It's time to start cooking and hear the difference with Playskool's Playsounds Sink.

INCLUDES:

- SINK UNIT • 2 POSTS • CHOPPED VEGETABLES • GREEN PEPPER • 4 PHILLIPS HEAD SCREWS
- COFFEE MAKER BASE • COFFEE POT • FOOD PROCESSOR BASE • FOOD PROCESSOR BEAKER
- FOOD PROCESSOR LID • PHONE • BACKBOARD • SINK HOOD

Tool needed for assembly: Phillips head screwdriver.

Adult assembly required.

**BATTERY INSERTION**

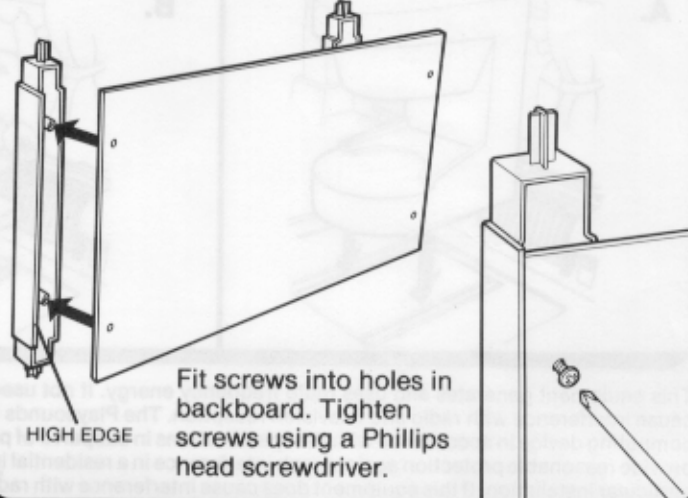
Loosen screw on battery compartment using Phillips head screwdriver.

NOTE: Be sure to read the battery insertion label. Insert 4 "C" size alkaline batteries into battery compartment as shown. For best results, use fresh alkaline batteries. Replace battery compartment cover and tighten screw. Remove batteries when toy is not in use. CAUTION: Batteries may leak if installed backwards.

CAUTION: TO AVOID BATTERY LEAKAGE

1. Be sure to insert the batteries correctly and always follow the toy and battery manufacturer's instructions.
2. Never mix old batteries with new batteries, or standard (carbon-zinc) with alkaline batteries.
3. Always remove exhausted or dead batteries from the product.

2. Line up holes in backboard with holes in posts. One edge of each post is higher than the other. Be sure the high edge of each post is against the edge of the backboard and that the backboard lies flat against the post.



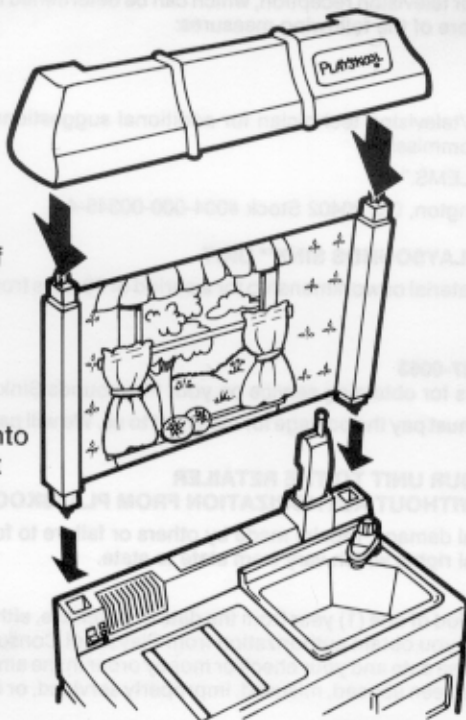
Fit screws into holes in backboard. Tighten screws using a Phillips head screwdriver.

3.

Fit holes on sink hood over tops of posts.

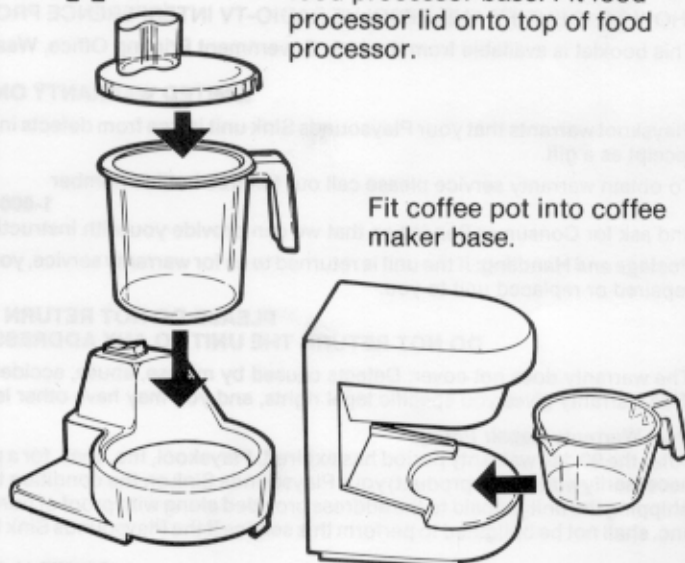
Fit ends of posts into holes in top of unit so that picture on backboard is right side up.

Fit phone into countertop.

**4.**

Fit food processor beaker into food processor base. Fit food processor lid onto top of food processor.

Fit coffee pot into coffee maker base.



NOTE: If dishwasher door detaches from sink, fit hinges on door into slots in sink. Press down on the bottom of dishwasher until it snaps into position.

