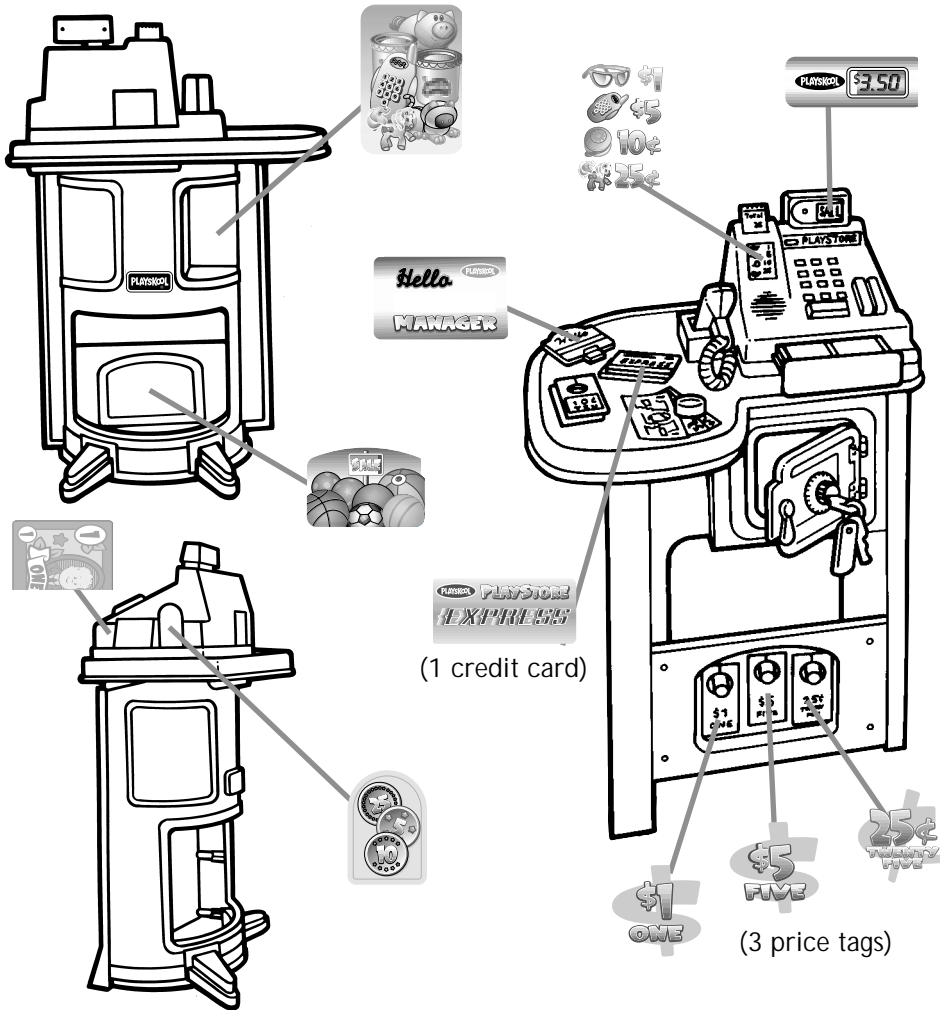


Peel and apply labels as shown.



(1 credit card)

(3 price tags)

FCC STATEMENT

This equipment has been tested and found to comply with the limits for a Class B digital device, pursuant to part 15 of the FCC Rules. These limits are designed to provide reasonable protection against harmful interference in a residential installation. This equipment generates, uses and can radiate radio frequency energy, and, if not installed and used in accordance with the instructions, may cause harmful interference to radio communications. However, there is no guarantee that interference will not occur in a particular installation. If this equipment does cause harmful interference to radio or television reception, which can be determined by turning the equipment off and on, the user is encouraged to try to correct the interference by one or more of the following measures:

- Increase the separation between the equipment and receiver.
- Consult the dealer or an experienced radio/TV technician for help.

Changes or modifications not expressly approved by the party responsible for compliance could void the user's authority to operate the equipment.



Electronic Sounds Playstore

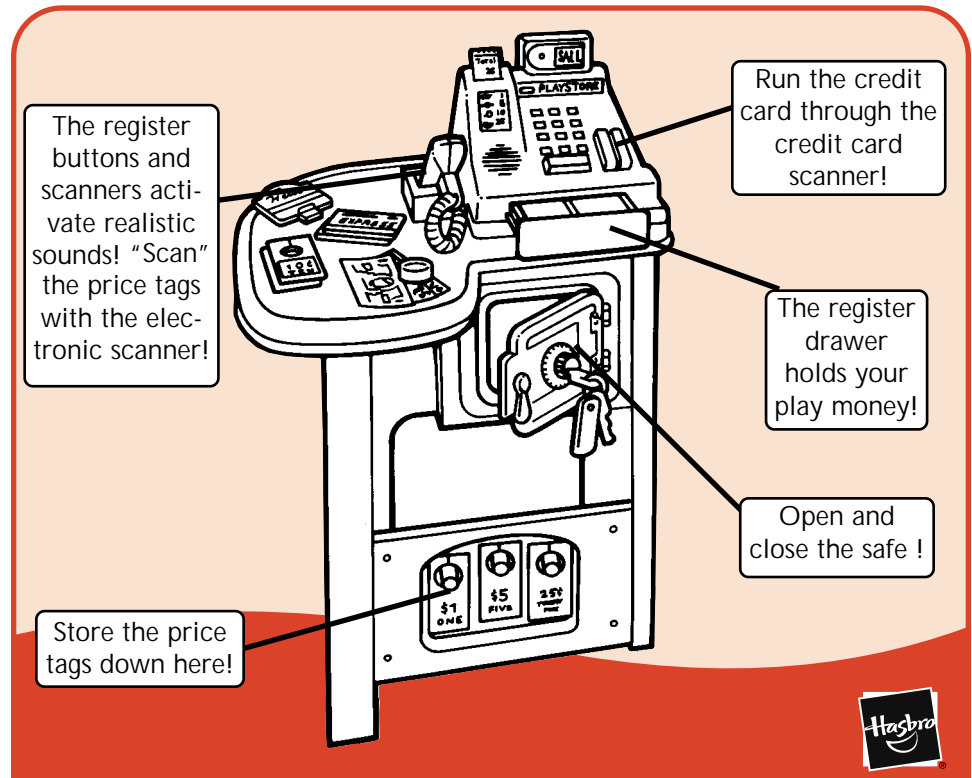
**THANK YOU FOR PURCHASING THE PLAYSKOOL® PLAYSTORE!
 ADULT ASSEMBLY REQUIRED.**

REQUIRES 3 "AA" ALKALINE BATTERIES (NOT INCLUDED).

PHILLIPS SCREWDRIVER (NOT INCLUDED) REQUIRED FOR ASSEMBLY AND BATTERY PLACEMENT.

Includes: Playstore base, counter, electronic register with price scanner, 12 play paper bills, 6 play coins, 3 price tags, credit card, manager's badge, 2 supports for Playstore base, label sheet and bag of screws.

CAUTION: This product contains small parts which are necessary for assembly. Prior to and during assembly of this product, keep small parts out of children's reach. Small parts pose a choking hazard to children under 3 years.



The register buttons and scanners activate realistic sounds! "Scan" the price tags with the electronic scanner!

Run the credit card through the credit card scanner!

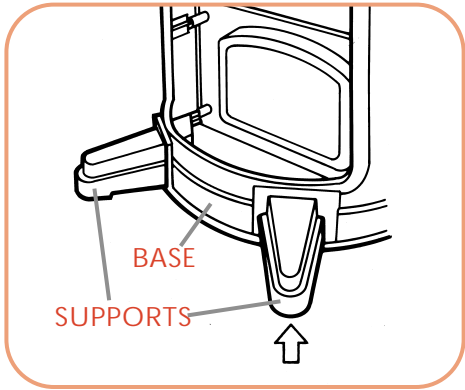
The register drawer holds your play money!

Open and close the safe!

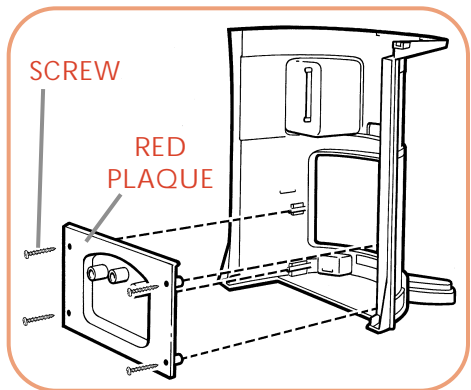
Store the price tags down here!



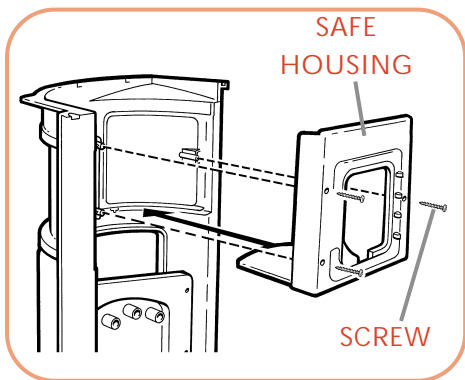
1. Snap the 2 supports in place at bottom of Playstore base as shown.



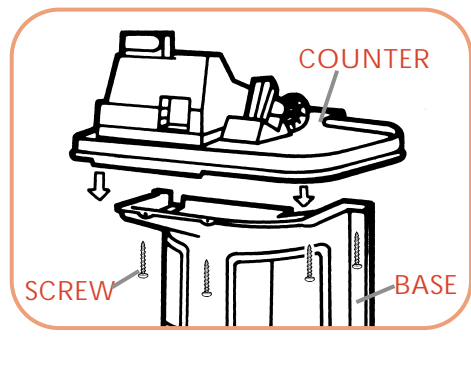
2. Lay assembly flat down on a table top or floor as shown. Assemble the red plaque to base, fitting plaque into place, then securing with 4 screws (included) and a Phillips screwdriver (not included).



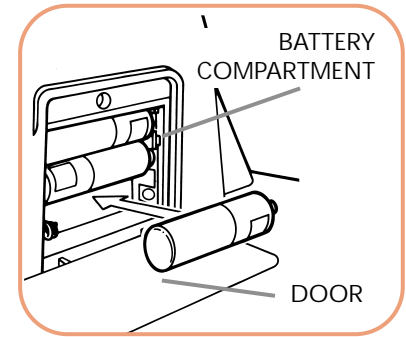
3. Attach and fasten the safe housing to the Playstore assembly. Fit safe housing inside fittings in Playstore, angling in the right side first, then the left. Secure housing to Playstore with 3 screws and the screwdriver.



4. Assemble the counter/register to the Playstore base as shown; fit the bottom of counter into fittings on top of base. Fasten the 5 fittings with the screws included, and the Phillips screwdriver.



5. Insert 3 "AA" alkaline batteries (not included) into the battery compartment located in back of register. Follow direction indicators inside compartment. Use the screwdriver to attach the battery compartment door (packaged separately).

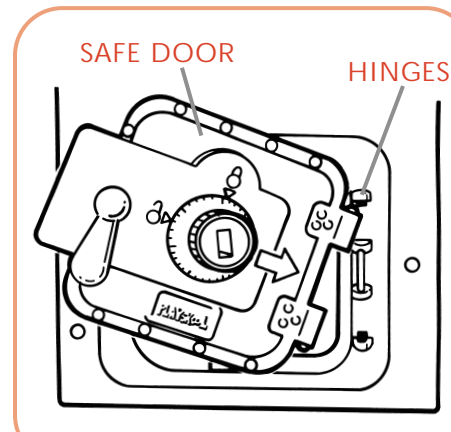


! CAUTION: TO AVOID BATTERY LEAKAGE

1. Be sure to insert the batteries correctly and always follow the toy and battery manufacturers' instructions;
2. Never mix old and new batteries or alkaline, standard (carbon-zinc) or rechargeable (nickel-cadmium) batteries;
3. Always remove weak or dead batteries from the product.

NOTICE: When the PLAYSKOOL Playstore is moved or knocked over, the batteries inside the base may become slightly dislodged, and the electronic features will not function properly. If this happens, simply open the battery compartment, remove and re-insert the batteries. If problems persist, the batteries may need to be replaced.

6. To assemble the safe door to safe compartment below register, press and snap door into hinges at an angle, as shown.



7. To make night deposits, drop the play money (bills and coins) into the chutes on the side of register, and it will drop down directly into the safe.

