

Peel and apply labels as shown.



Playstore

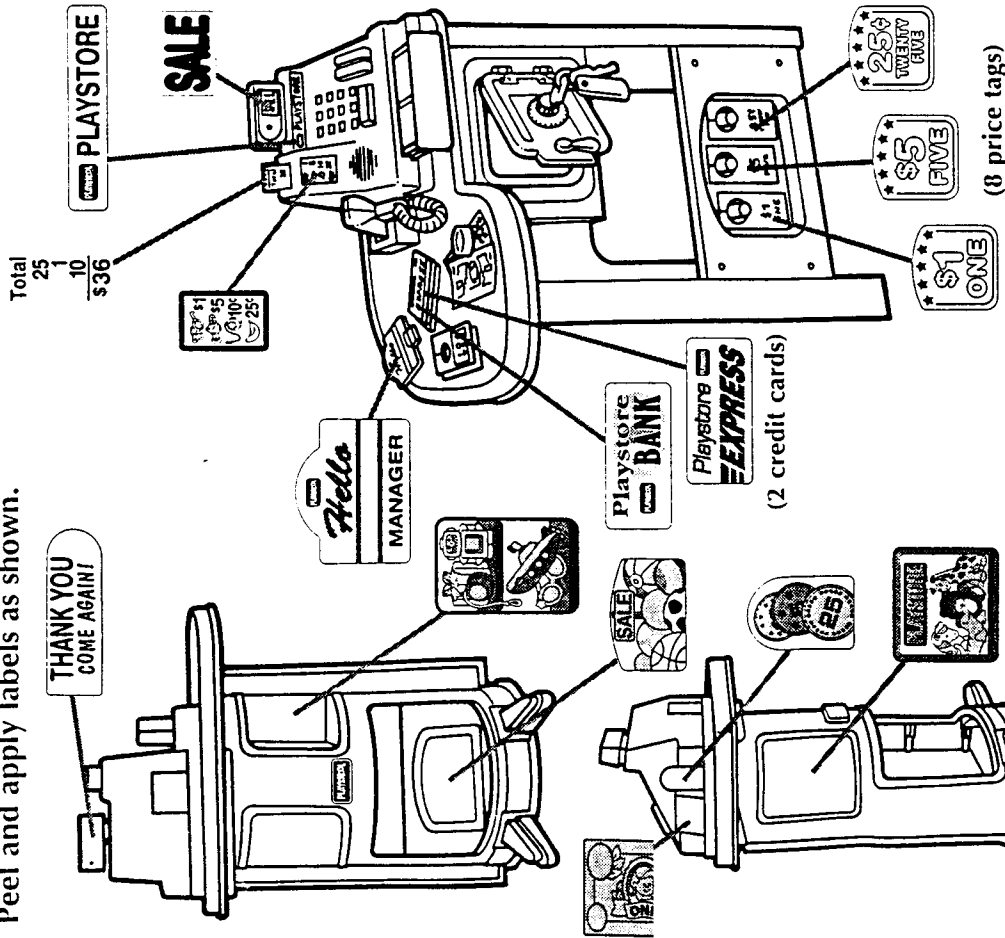
THANK YOU FOR PURCHASING THE PLAYSKOOL® PLAYSTORE!
ADULT ASSEMBLY REQUIRED.

PHILLIPS SCREWDRIVER REQUIRED FOR ASSEMBLY AND BATTERY PLACEMENT.

Includes: Playstore base, counter, electronic register with price scanner, 6 play paper bills, 6 play coins, 8 price tags, 2 credit cards, 2 sale keys with key ring, manager's badge, 2 supports for Playstore base, 2 label sheets and bag of screws.

CAUTION: This product contains small parts which are necessary for assembly. Prior to and during assembly of this product, keep small parts out of children's reach. Small parts pose a choke hazard to children under 3 years.

CAUTION: Components to be assembled have sharp edges (or points). Keep the sharp edged components out of the reach of children until assembly is complete.



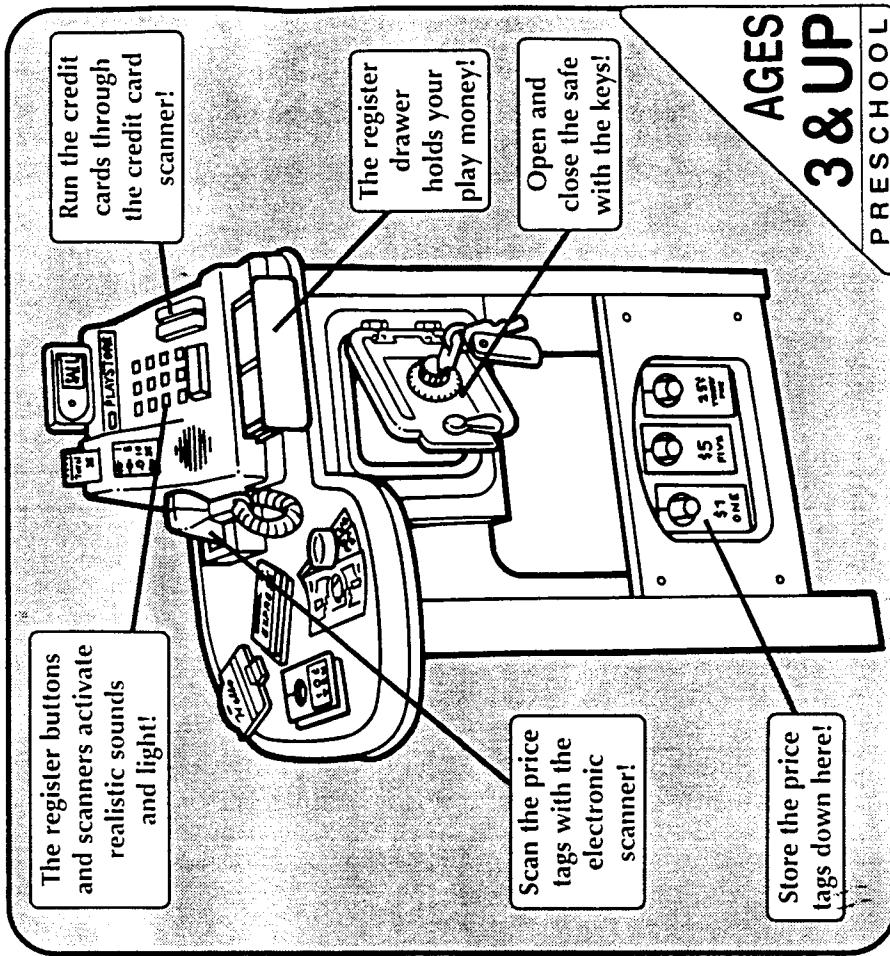
Total
25
1
10
\$36

FCC RULES FOR A CLASS B DIGITAL DEVICE

This equipment has been tested and found to comply with the limits for a Class B digital device, pursuant to Part 15 of the FCC Rules. These limits are designed to provide reasonable protection against harmful interference in a residential installation. This equipment generates, uses, and can radiate radio frequency energy, and, if not installed and used in accordance with the instructions, may cause harmful interference to radio communications. However, there is no guarantee that interference will not occur in a particular installation. If this equipment does cause harmful interference to radio or television reception, which can be determined by turning the equipment off and on, the user is encouraged to try to correct the interference by one or more of the following measures:

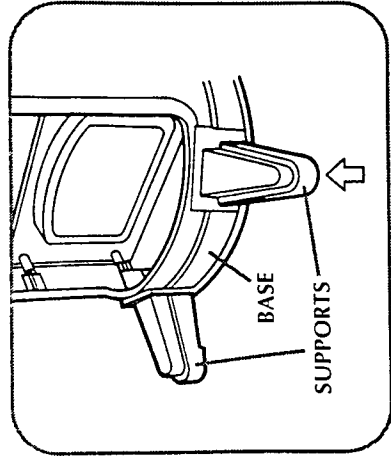
- Reorient or relocate the receiving antenna.
- Increase the separation between the equipment and receiver.
- Consult the dealer or an experienced radio/TV technician for help.

© 1995 Hasbro, Inc., Pawtucket, RI 02862 USA. All Rights Reserved.
® denotes Reg. U.S. Pat. & TM Office.
ELECTRONIC UNIT AND SCANNER MADE IN CHINA.
ALL OTHER COMPONENTS MADE IN USA.
798 P/N 45462502

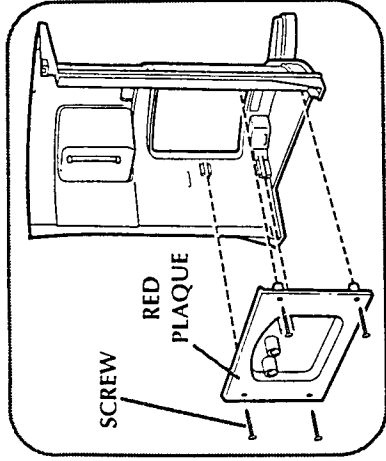


AGES
3 & UP
PRESCHOOL

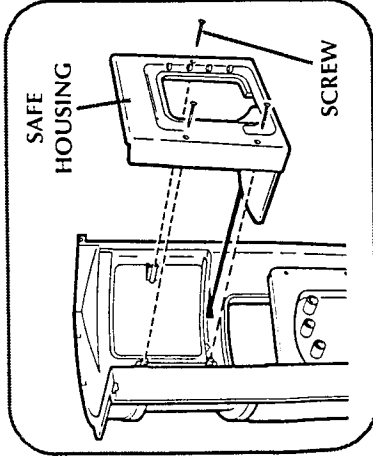
Questions? Call: **1-800-PLAYSKL**
For future reference, our toll-free consumer service number is also located on this product.



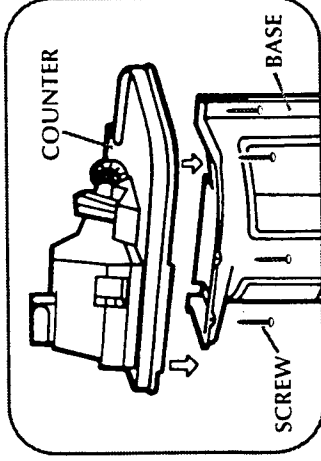
1. Snap the 2 supports in place at bottom of Playstore base as shown.



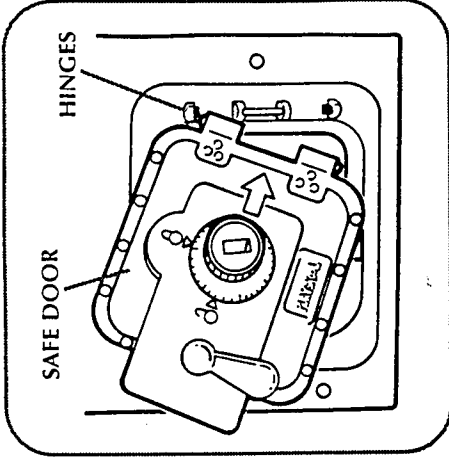
2. Assemble the red plaque to base, fitting plaque into place, then securing with 4 screws (included) and a Phillips screwdriver (not included).



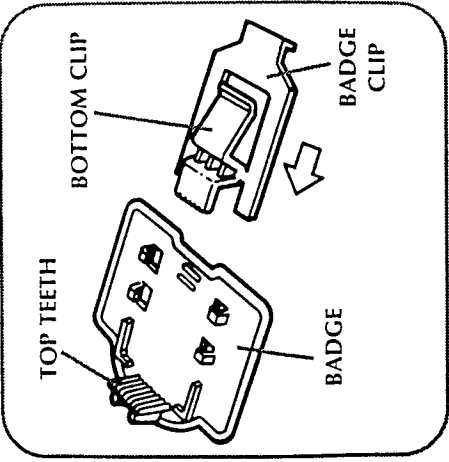
3. Attach and fasten the safe housing to the Playstore assembly. Fit safe housing inside fittings in Playstore, angling in the right side first, then the left. Secure housing to Playstore with 3 screws and the screwdriver.



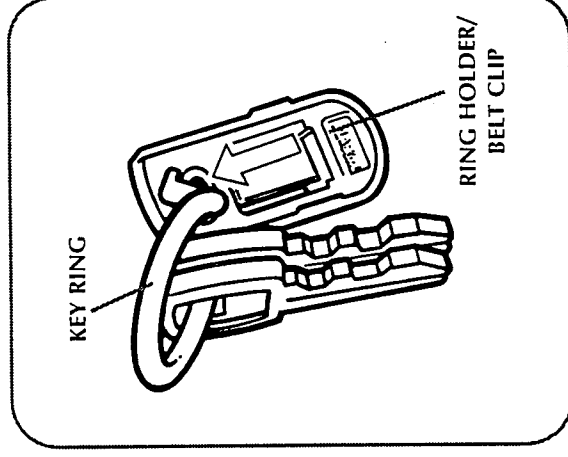
4. Assemble the counter/register to the Playstore base as shown; fit the bottom of counter into fittings on top of base. Fasten the 5 fittings with the screws included, and the Phillips screwdriver.



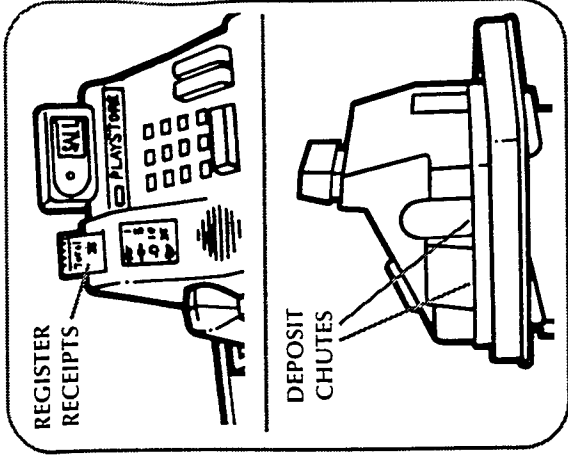
6. To assemble the safe door to safe compartment below register, press and snap door into hinges at an angle, as shown. The safe door can be opened with the keys or by turning the combination knob on the door.



7. To assemble the store manager's badge, slide the badge clip underneath the tabs and into its fitting on back of manager's badge. The badge can be worn in either of 2 ways: by placing shirt between the top teeth and grasping shirt, or by inserting the bottom clip into a shirt pocket as shown.



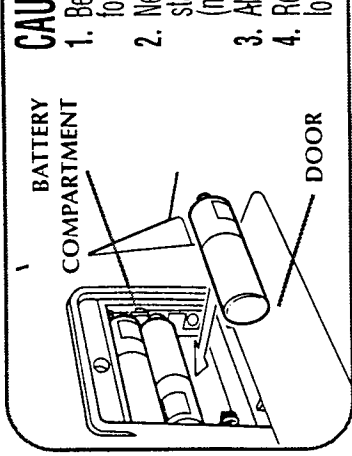
8. Place the 2 keys on the key ring. To hold keys on ring, slide ring end through hole in ring holder. The ring holder is also a belt clip for carrying keys on your belt!



9. The 2 cash register receipts can be stored at the top of register as shown. To make night deposits, drop the play money (bills and coins) into the chutes on the side of register, and it will drop down directly into the safe.

CAUTION: TO AVOID BATTERY LEAKAGE

1. Be sure to insert the batteries correctly and follow the toy and battery manufacturer's instructions.
2. Never mix old batteries with new batteries, or alkaline, standard (carbon-zinc) or rechargeable (nickel-cadmium) batteries.
3. Always remove exhausted or dead batteries from product.
4. Remove batteries if product is stored for a long period of time.



5. Insert 3 "AA" batteries (alkaline recommended) into the battery compartment located in back of register. Follow direction indicators inside compartment. Use the screwdriver to attach the battery compartment door (packaged separately).