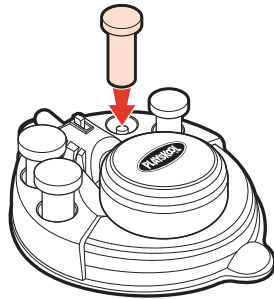
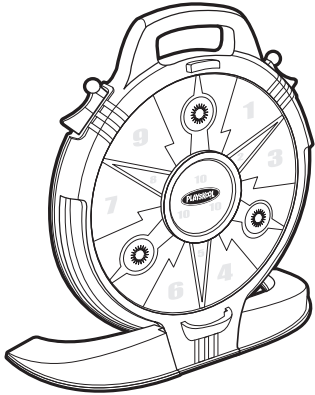
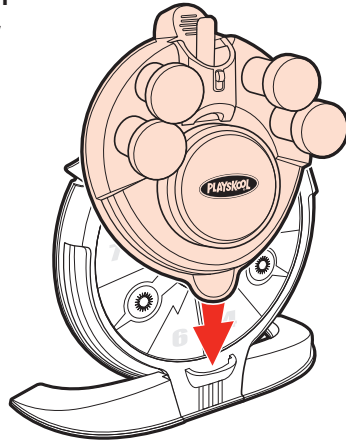


## STORAGE:

Foam flyers can be stored in the holes on the launcher base, and the launcher base snaps onto the target for easy portability.



Position the launcher base on top of the metallic target, with the launcher post pointing up. Align the launcher base as shown with the grooves on the metallic target and gently slide into place. When secure, the launcher base will fit snugly on the top of the metallic target.



Visit us at  
[playskool.com](http://playskool.com)



Products and colors may vary.  
© 2006 Hasbro. All Rights Reserved.  
TM & ® denote U.S. Trademarks  
09015 P/N 6631200000



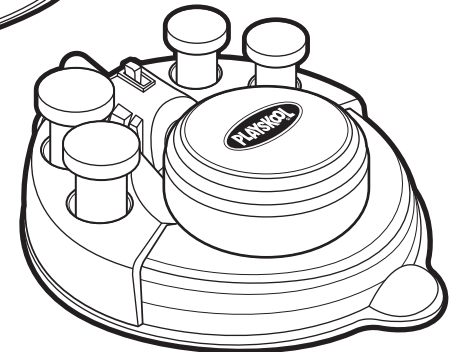
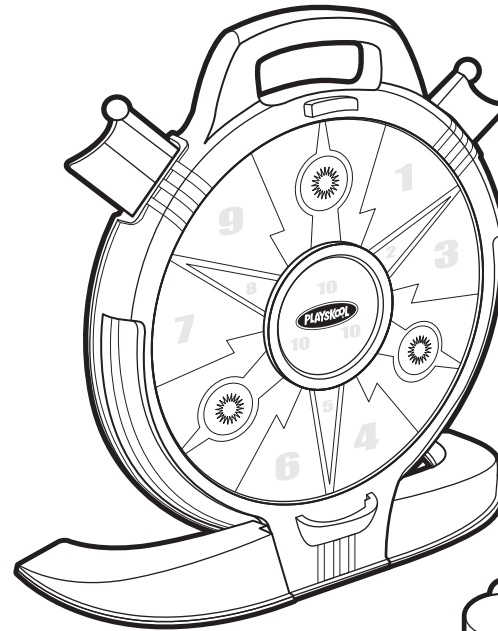
Not suitable for children under  
3 years because of small  
parts — choking hazard.

# PLAYSKOOL®

AGES 3+  
09015

## Pop Flyers™

Includes: Metallic  
target, 2 target leg  
pieces, launcher base  
and 4 foam flyers.



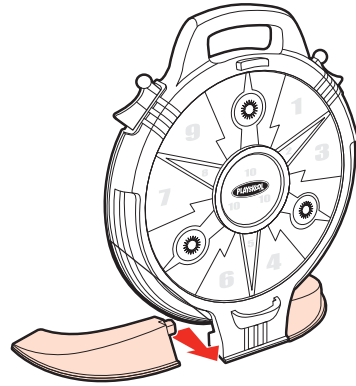
**FOAM FLYERS CONTAIN MAGNETS.**

**ADULT ASSEMBLY REQUIRED.**

**Thank you for choosing this PLAYSKOOL toy!**

## TO ASSEMBLE:

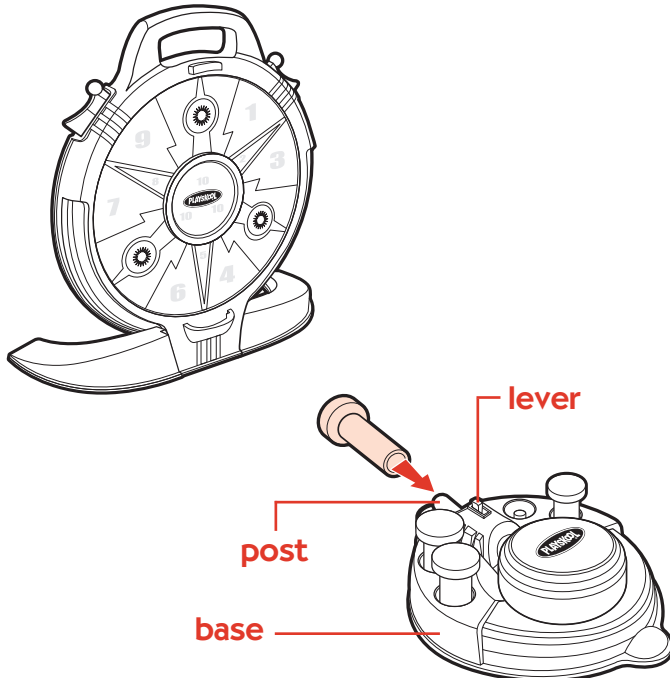
Snap target leg pieces into metallic target as shown.



## TO PLAY:

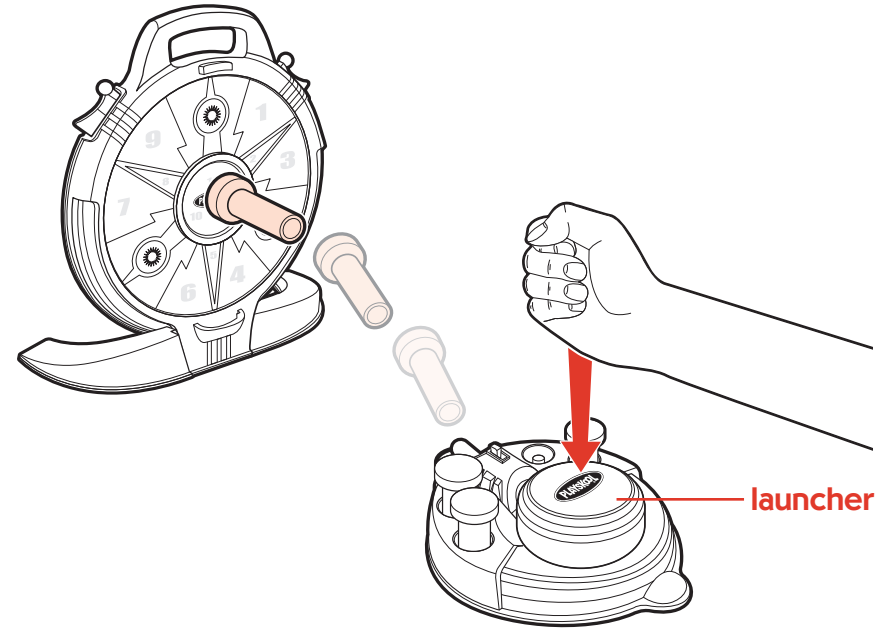
For high-flying action, kids take aim at the metallic target. Great fun for one or more players!

Position the launcher base on a flat surface a short distance from the metallic target. Place a foam flyer on the launcher post, and angle as desired by tilting the launcher lever.

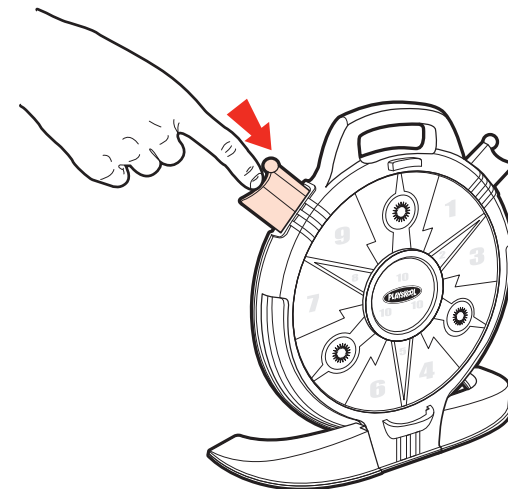


For best results, hit the launcher with a fist or flat hand to send the foam flyer into the air and toward the metallic target.

**Note:** It may take a few tries to determine how much force is needed to launch the flyer.



If you hit the bull's-eye, flags pop out of either side of the target! To reset the flags, gently push them back into the slots on the side of the target.



For an additional challenge, kids can use the colors and numbers on the target to customize their play!