

PREDATOR™

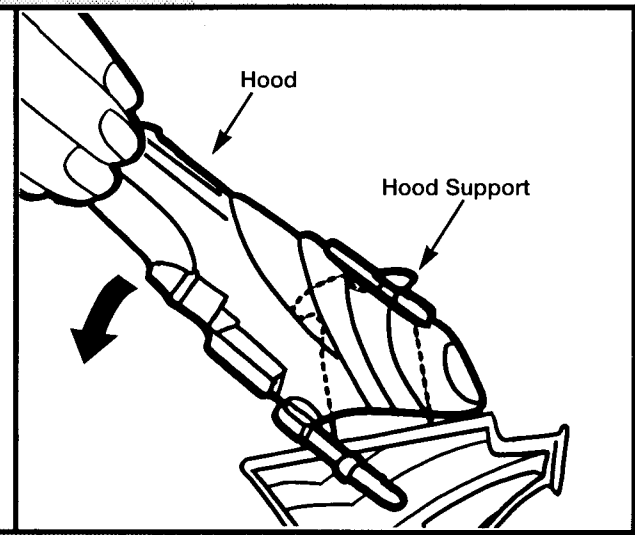
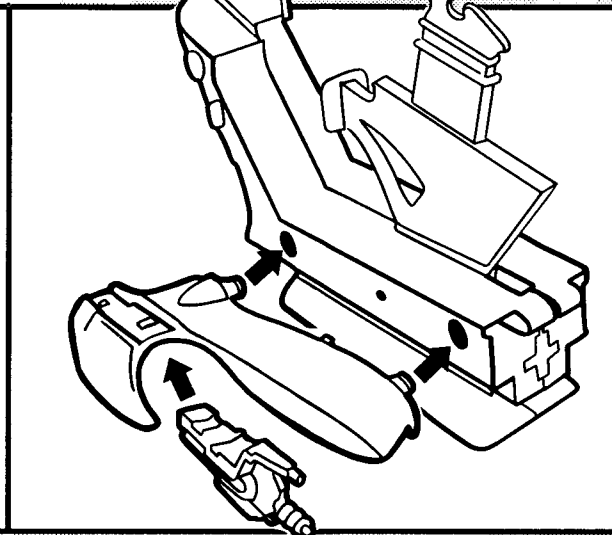
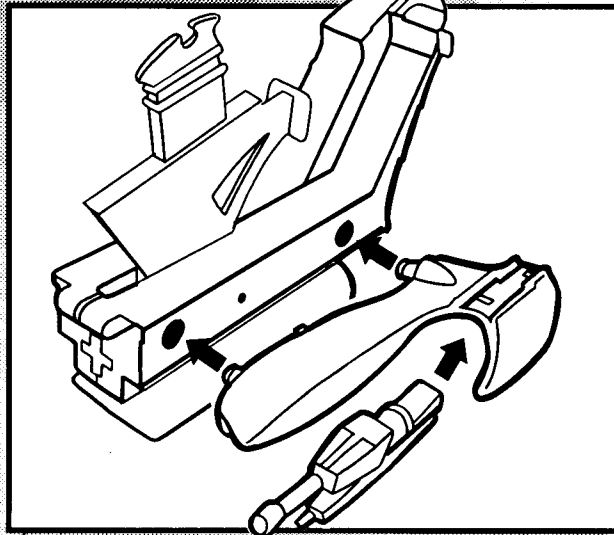
BLADE FIGHTER™ VEHICLE INSTRUCTIONS

Kenner®

© Kenner, A Division of Tonka Corporation, Cincinnati, Ohio 45202

50986500

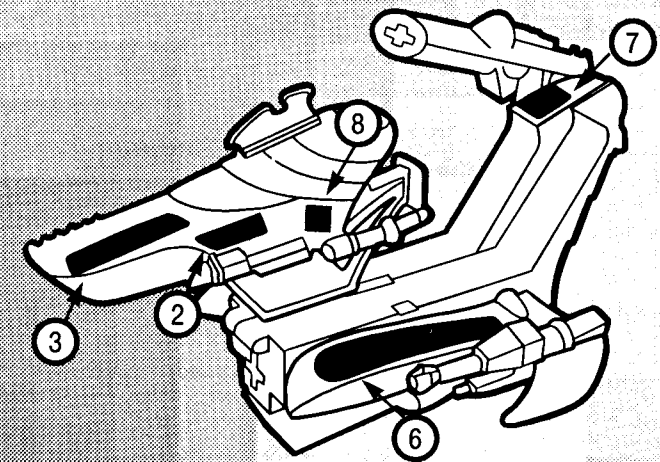
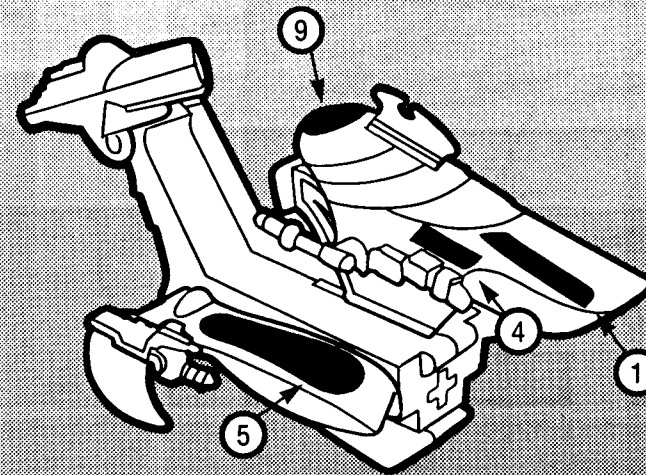
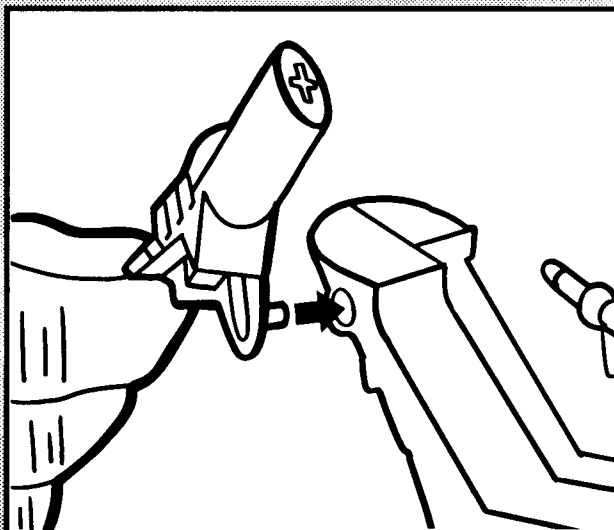
Predators: TM & © 1987, 1993
Twentieth-Century
Fox Film Corporation
All Rights Reserved



1 **ONE-TIME ASSEMBLY** Snap left wing onto left side of seat. Slide left fixed weapon onto wing until it snaps into place as shown.

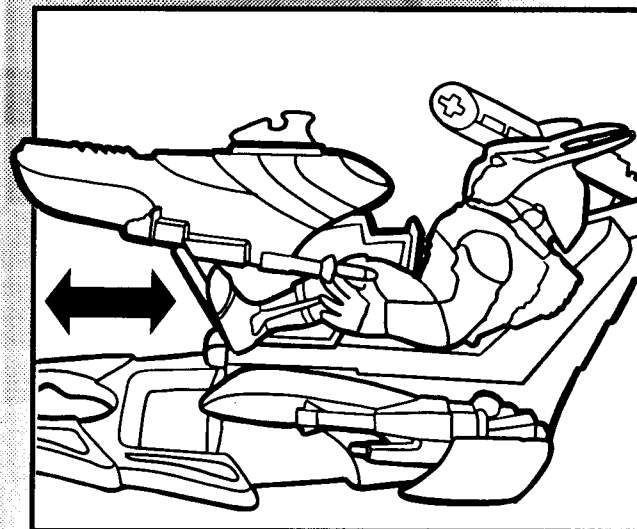
2 **ONE-TIME ASSEMBLY** Snap right wing onto right side of seat. Slide right fixed weapon onto wing until it snaps into place as shown.

3 **ONE-TIME ASSEMBLY** To attach hood, insert hood support into opening in hood at angle shown above. Then push hood down as shown to snap it into place on the hood support.

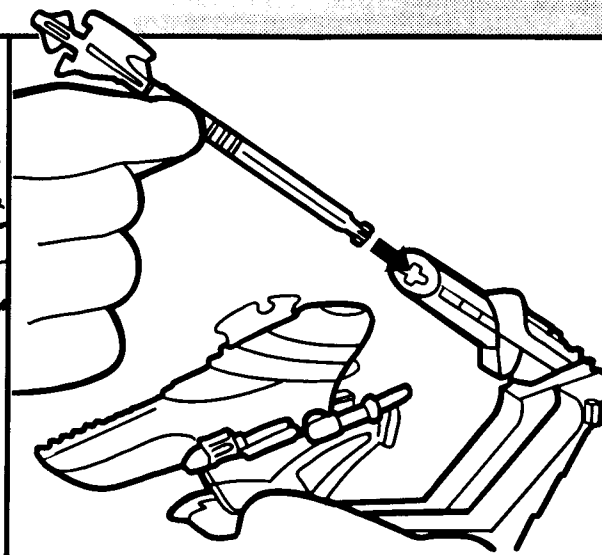


4 Snap missile launcher into seat back.

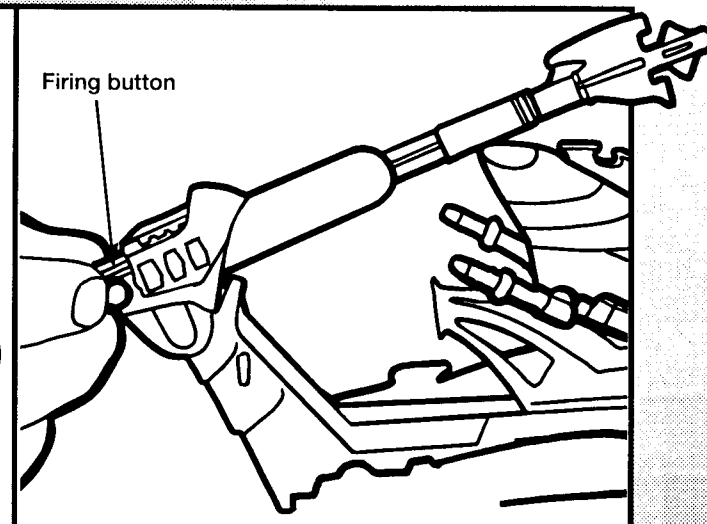
5 Apply labels to the assembled vehicle using the numbers on the label sheet and these illustrations as a guide.



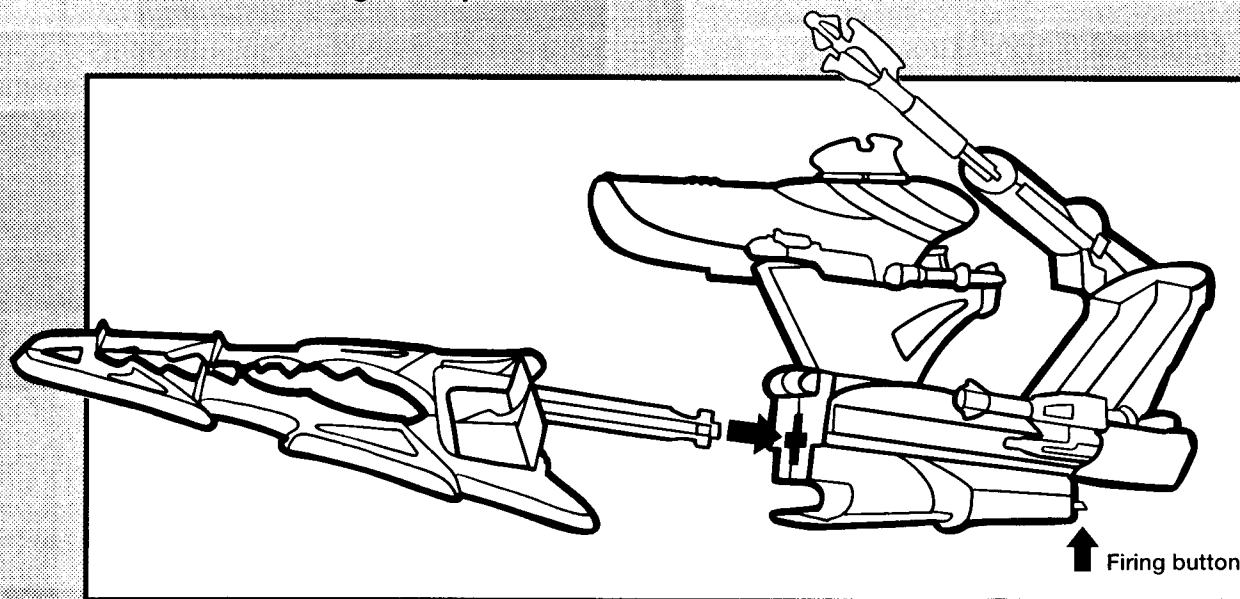
6. Slide hood support forward to put figure in seat; slide hood support back to hold figure in place.



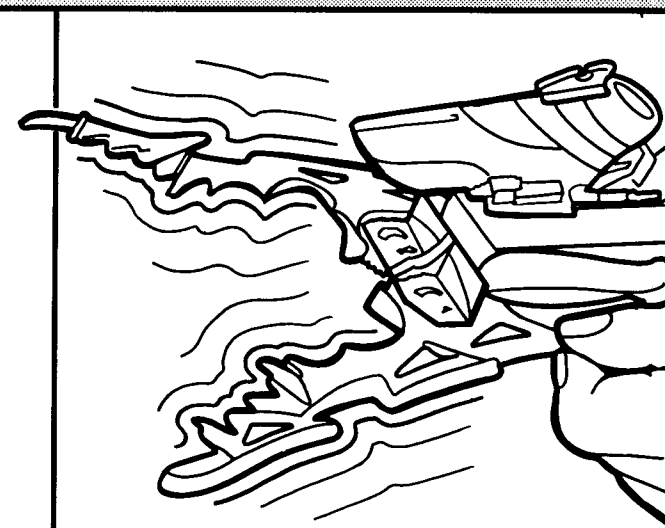
7. Load missile into launcher until it clicks into place.



8. Press red button on side of launcher forward to fire missile.



9. Slide capture jaw into slot on bottom of seat until it locks into place. Press up on red lever located on bottom rear of vehicle to release capture jaw.



10. Capture jaw can be manually opened and closed.