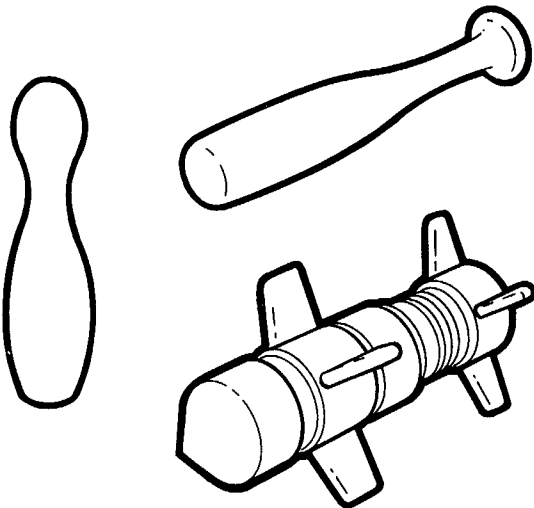
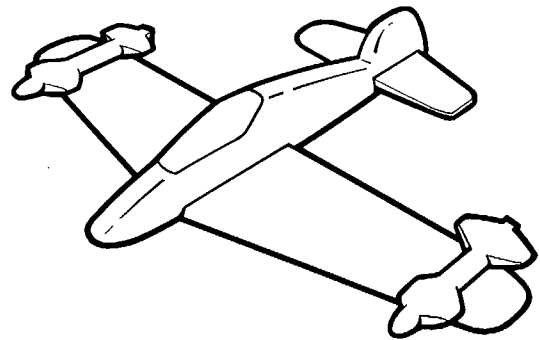
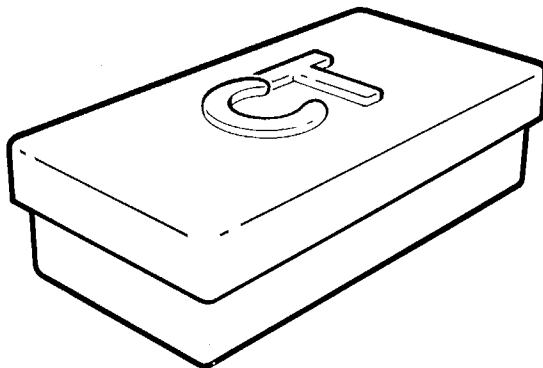
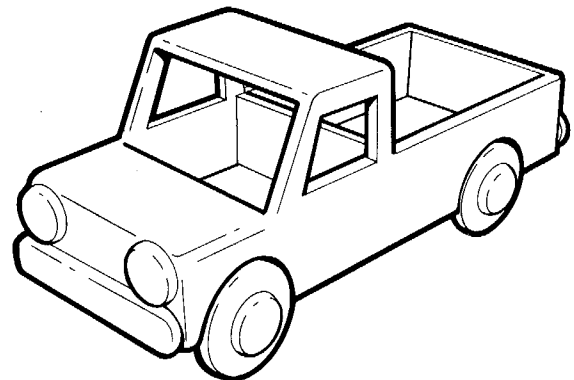
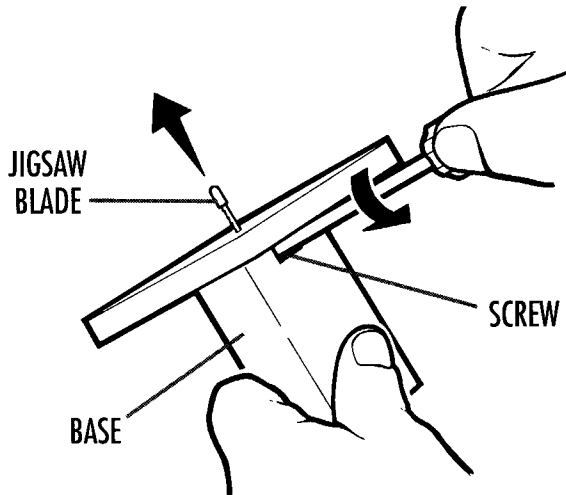


REAL**POWER TOOLSHOP™**INCLUDES ALL NEW PLANS FOR THESE EXCITING PROJECTS by **Tonka****REFILL SET PROJECT MANUAL**

Includes: 15 balsa wood sheets, 5 printed wood sheets, 4 wooden dowels, 2 jigsaw blades, 2 sanding discs and project manual.

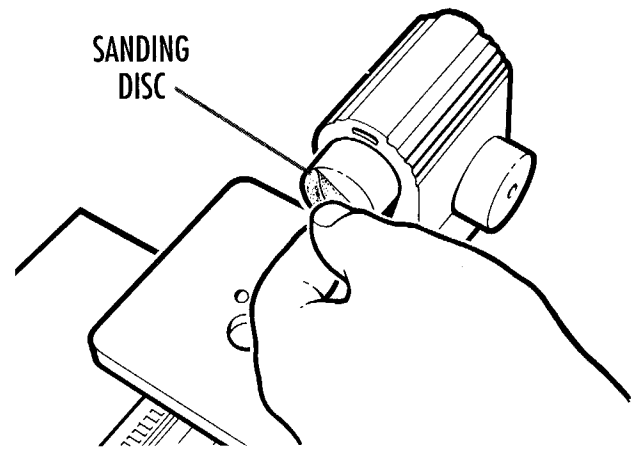
1**BASEBALL BAT,
BOWLING PIN & MISSILE****2****AIRPLANE****3****TOOL BOX****4****PICK-UP TRUCK****CAUTION: CONTAINS COMPONENTS WITH FUNCTIONAL SHARP EDGES.**

CHANGING THE JIGSAW BLADE



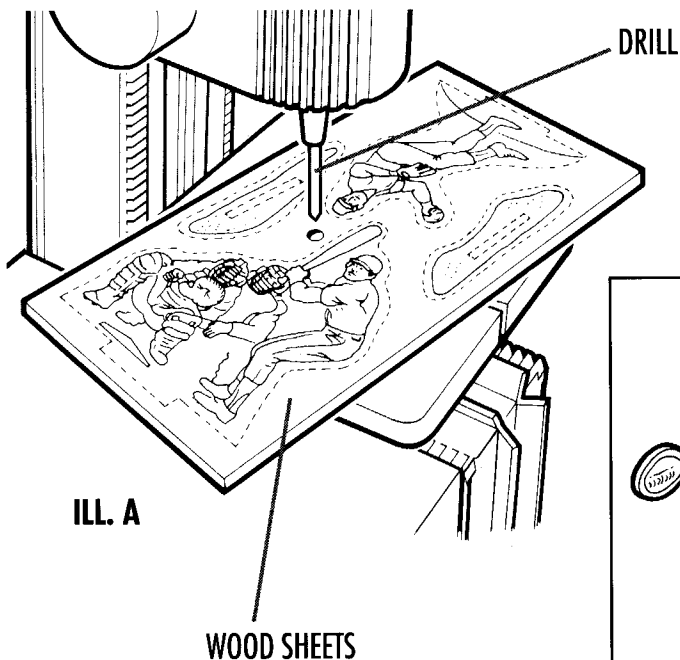
To replace the JIGSAW BLADE, simply unscrew the SCREW at the BASE of the blade holder, remove blade and insert a new one. Retighten screw. This set includes two replacement blades.

CHANGING THE SANDING DISC

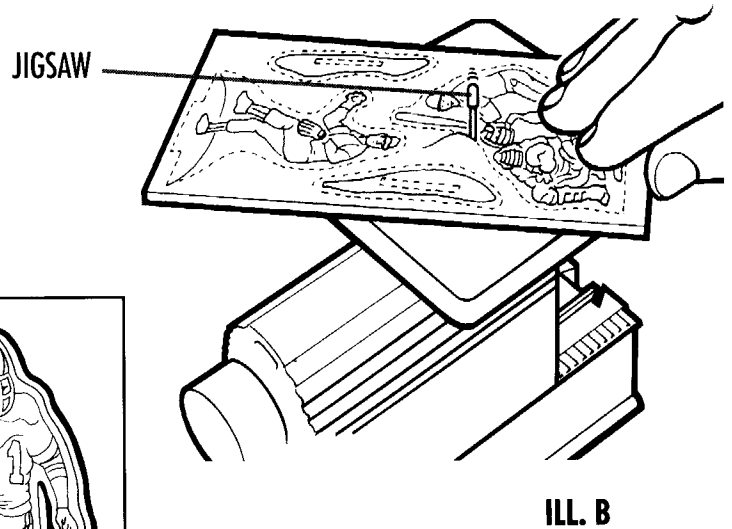


When the SANDING DISC becomes worn, simply peel off and replace with a new one as shown. This set includes 2 replacement sanding discs.

USING THE PRINTED WOOD SHEETS

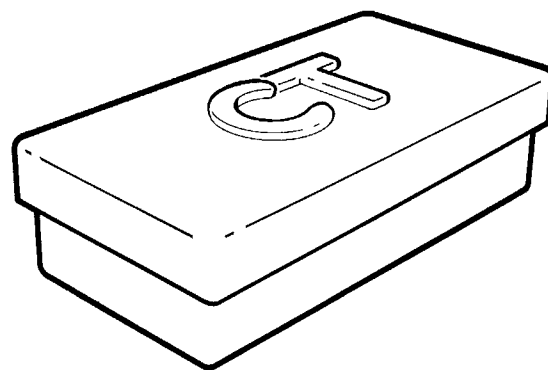


ILL. A

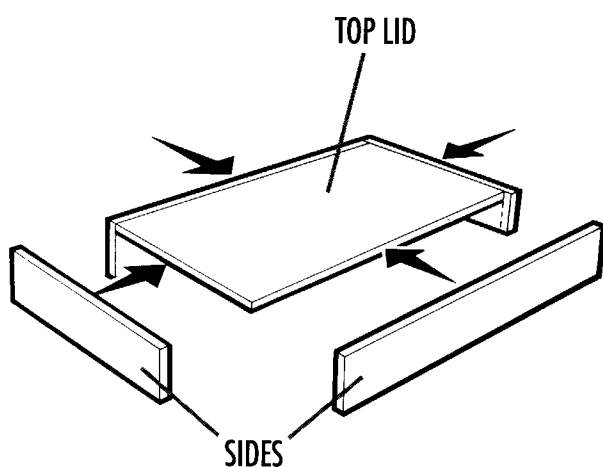


Five of the WOOD SHEETS have printed patterns to cut out. To get started, you can use the DRILL to make a hole (ILL. A) in the wood and then work the JIGSAW into the starting point as shown (ILL. B). Use the jigsaw to cut along the dotted lines. Use the drill to make an opening in the figure stand piece then place the completed figure in the stand as shown (ILL. C).

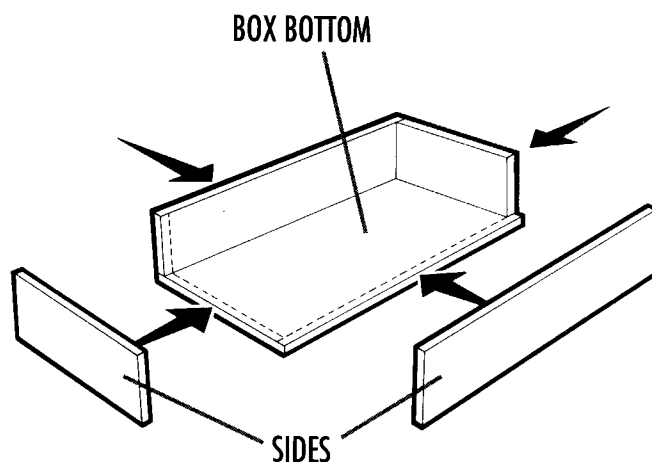
TOOL BOX ASSEMBLY



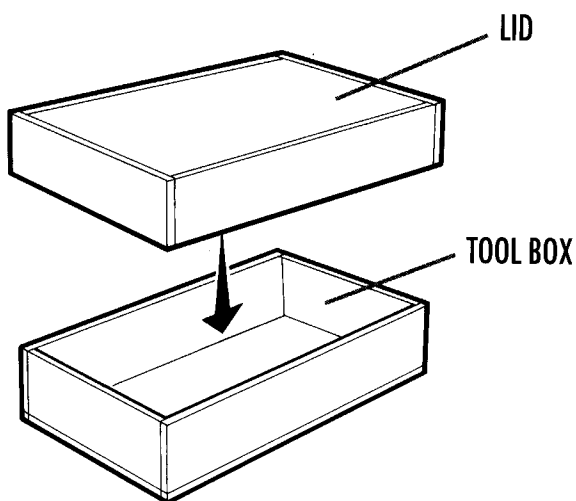
Cut out the shapes on the following pages and trace them onto the wood. Use the jigsaw to cut out the wood pieces. Draw dotted lines on the wood as indicated.



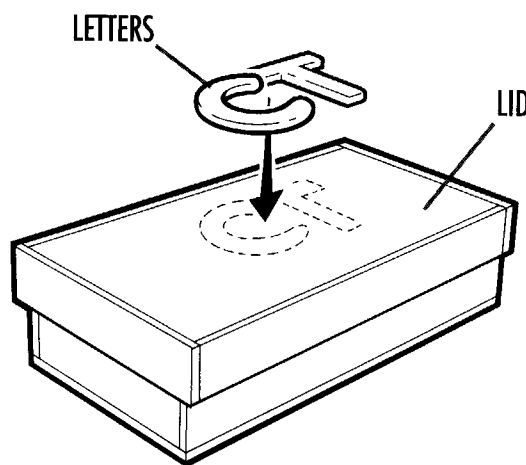
1. **To Make the Lid:** Use ELMER'S WOOD GLUE (not included) to glue the 4 SIDES along the outside edges of the TOP LID piece as shown.



2. **To Make the Box:** Glue the 4 SIDES along the dotted lines of the BOX BOTTOM as shown.

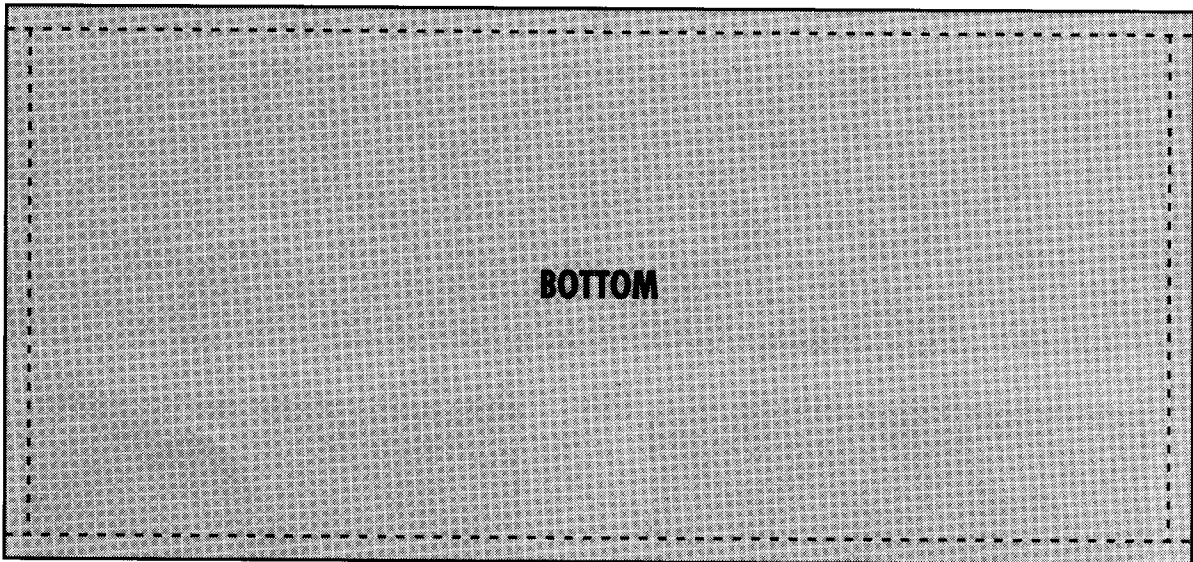
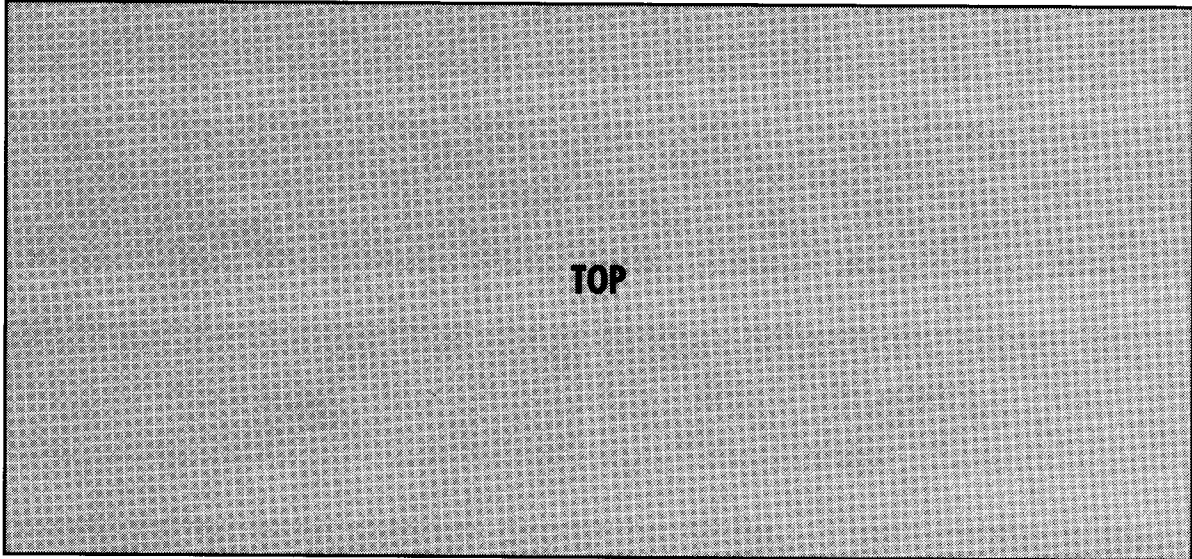


3. The LID should fit over the TOOL BOX as shown.

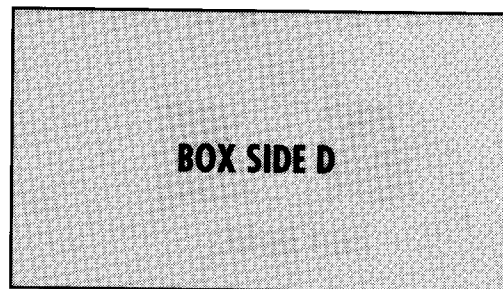
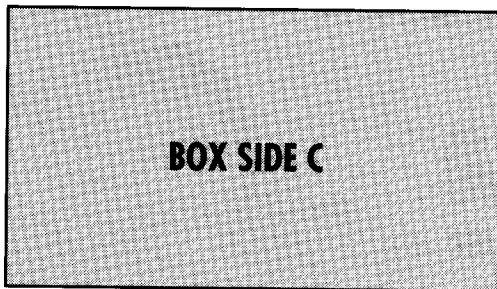
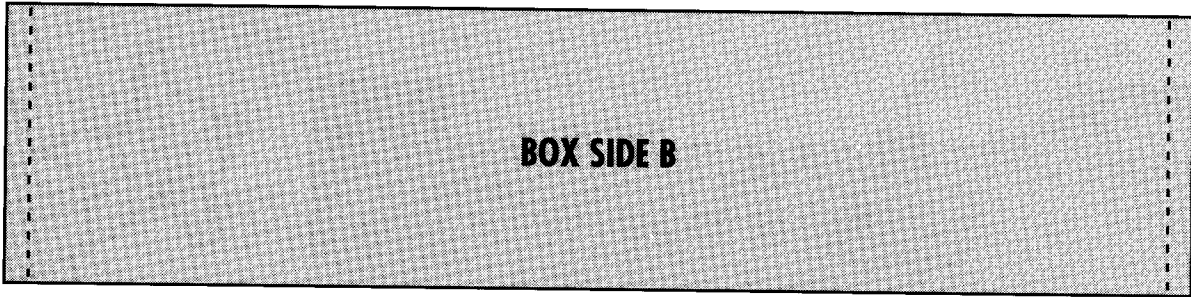
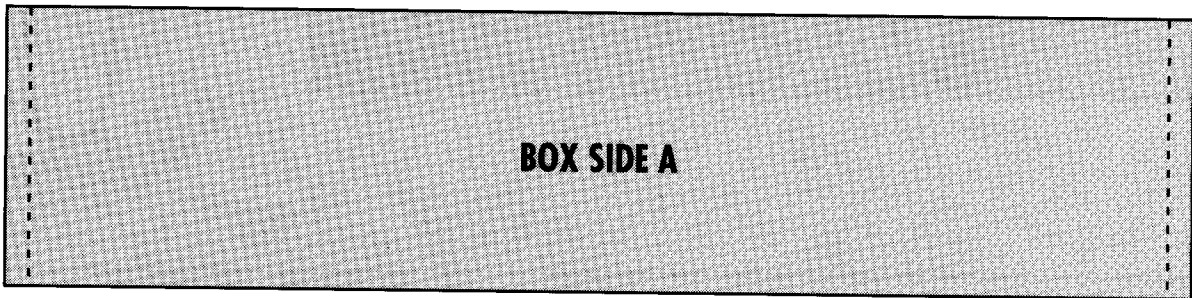
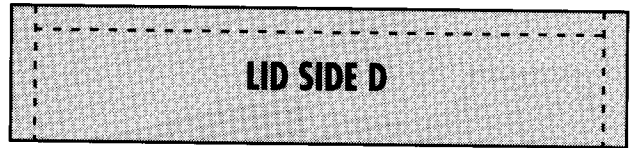
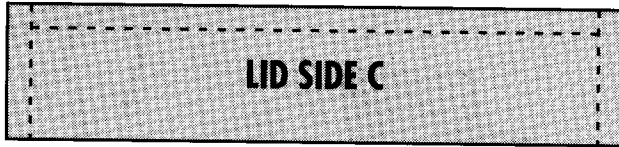
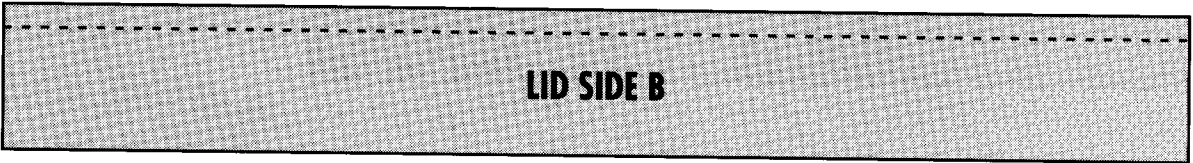
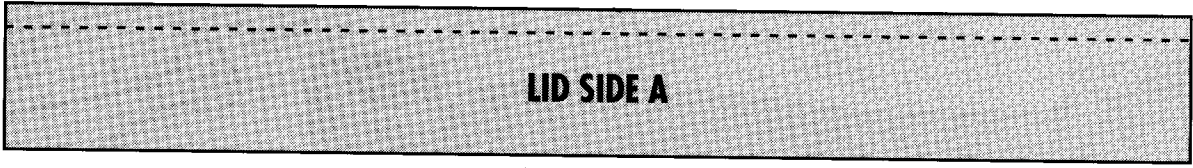


4. To personalize your toolbox, you can cut out your initials (for LETTER patterns, see Real Power Toolshop Instruction Manual) and glue them to the top of the LID.

TOOLBOX CUTOUTS (Page 1 of 2)

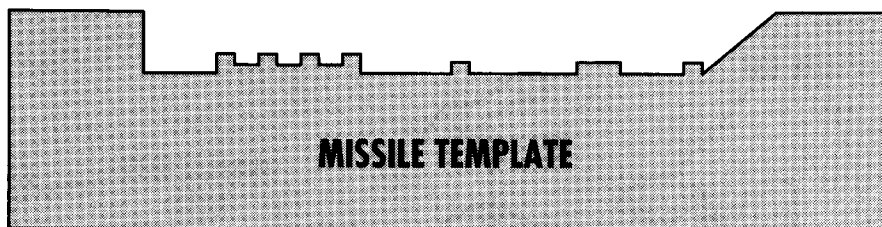
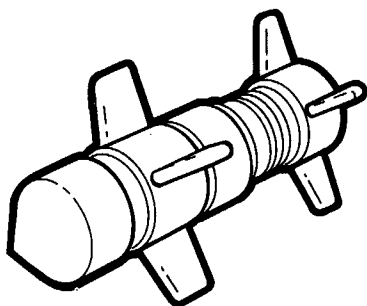
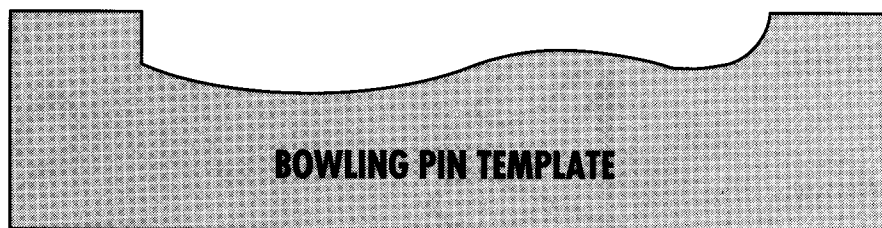
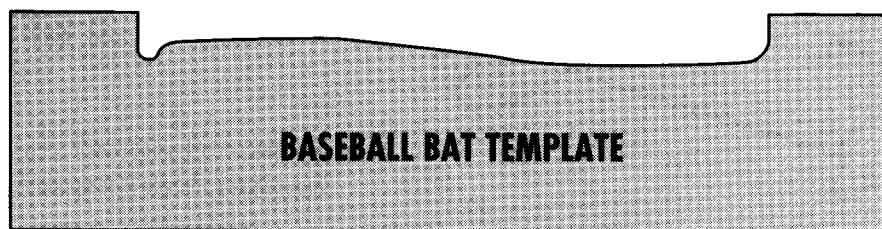
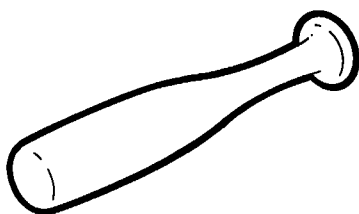


TOOLBOX CUTOUTS (Page 2 of 2)



DOWEL PATTERNS & MISSILE FIN CUTOUTS

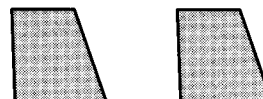
Here are some patterns that you can cut out and use for carving dowels with the wood lathe:



1. Use the pattern above to turn dowel on lathe. Then use the jigsaw to cut out the 4 missile fins.



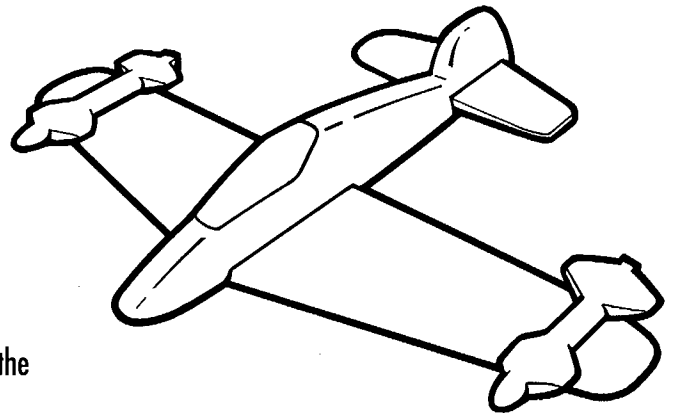
SMALL FINS



LARGE FINS

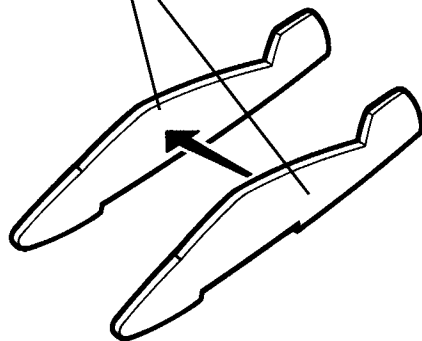
2. After carving the dowel, use ELMER'S WOOD GLUE (not included) to glue the 4 fins onto missile as shown.

AIRPLANE ASSEMBLY



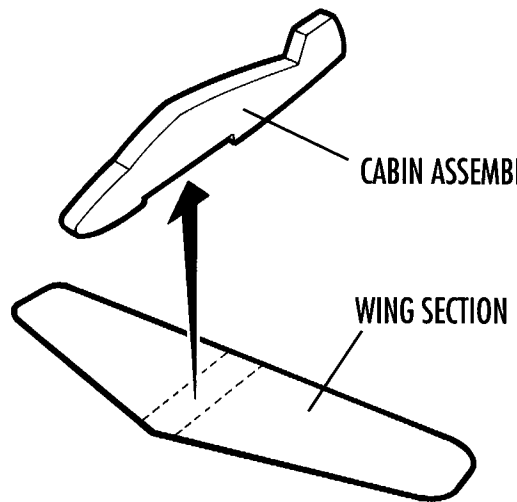
Cut out the shapes on the following pages and trace them onto the wood. Use the jigsaw to cut out the wood pieces. Draw dotted lines on the wood as indicated.

CABIN SECTIONS



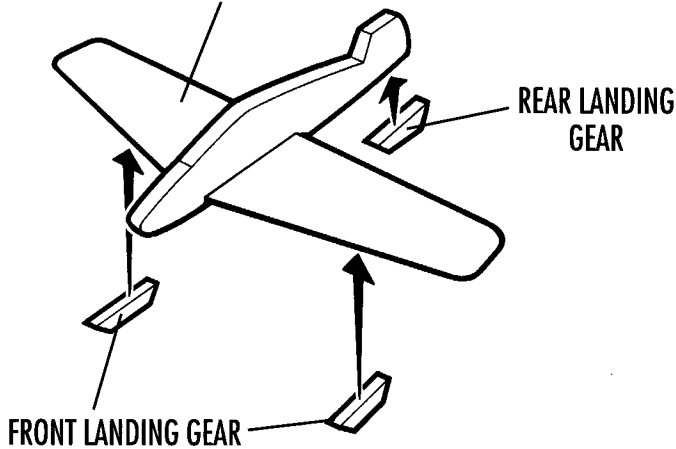
1. Use ELMER'S WOOD GLUE (not included) to glue the two CABIN SECTIONS together as shown.

CABIN ASSEMBLY



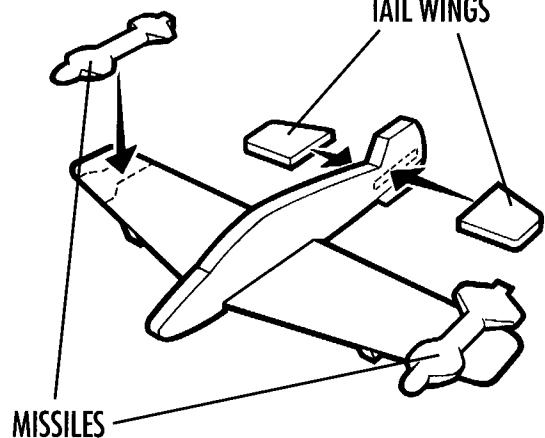
2. Glue WING SECTION into its slot at bottom of CABIN ASSEMBLY.

WING SECTION



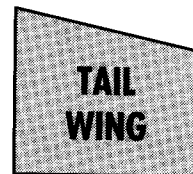
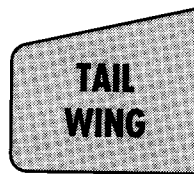
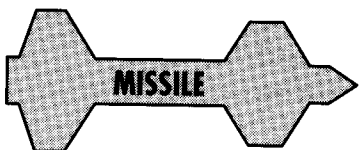
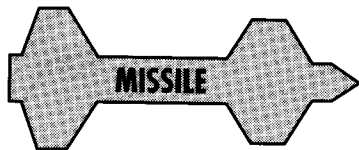
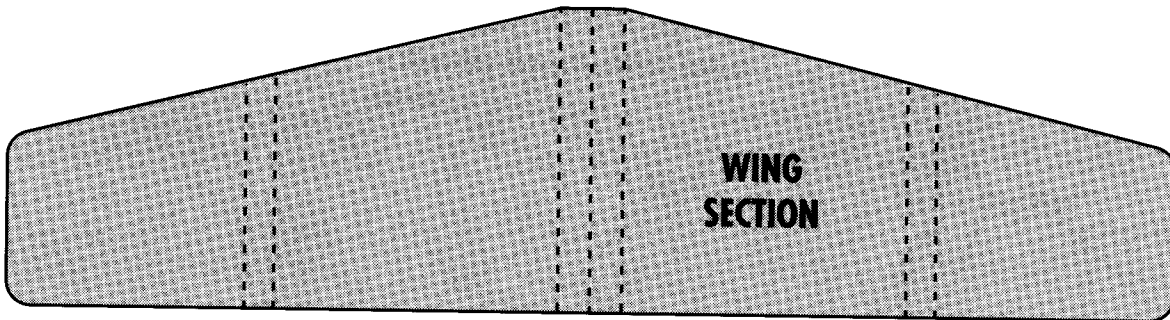
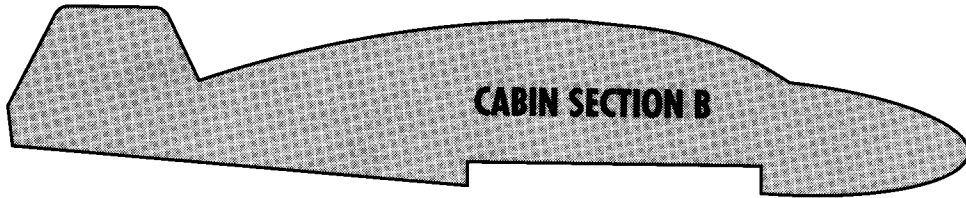
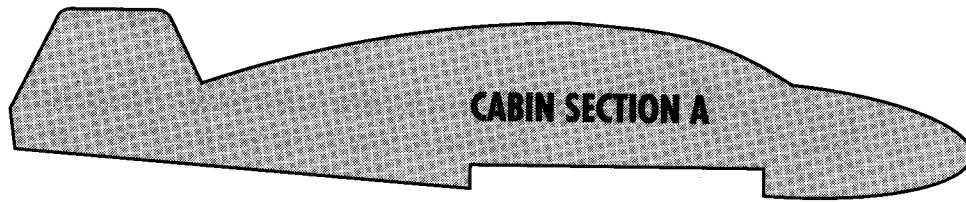
3. Glue FRONT LANDING GEAR (2 pieces) onto dotted lines on each side of WING SECTION bottom. Glue REAR LANDING GEAR (1 piece) onto bottom rear of CABIN ASSEMBLY as shown.

TAIL WINGS

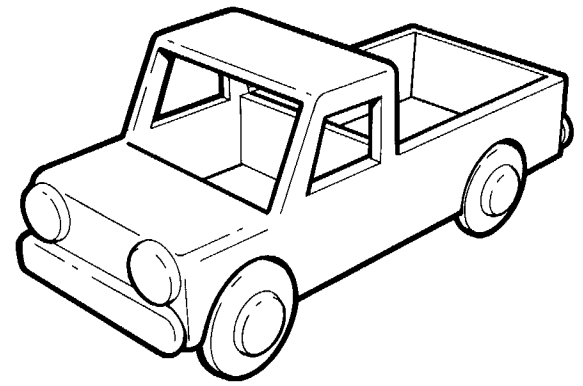


4. Glue TAIL WINGS onto rear sides of CABIN ASSEMBLY. Glue the 2 MISSILES onto top of WING SECTION, one on each side as shown, and you're all done!

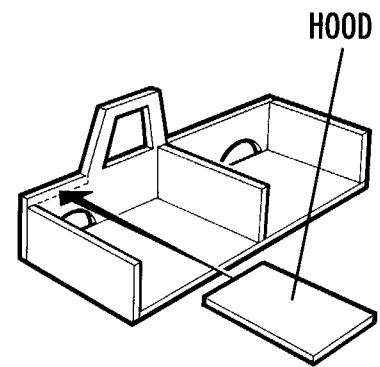
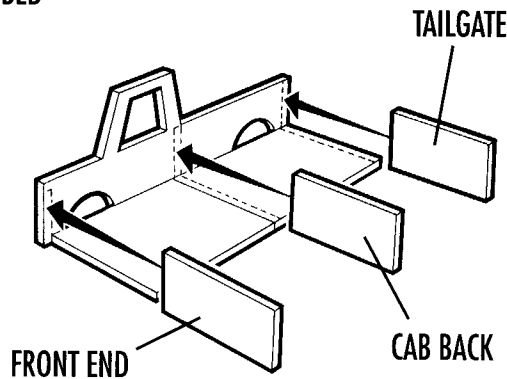
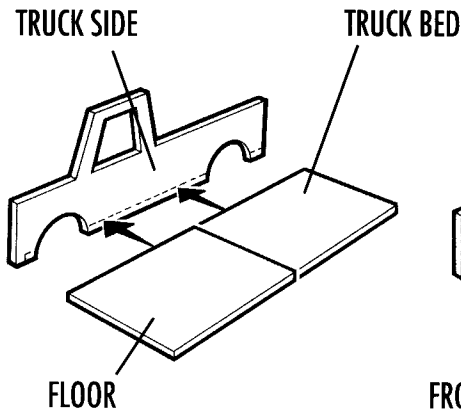
AIRPLANE CUTOUTS



PICK-UP TRUCK ASSEMBLY



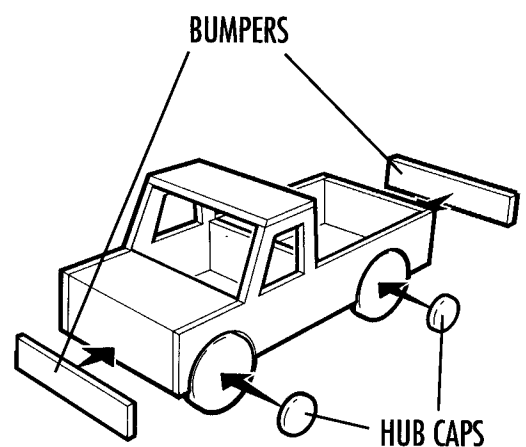
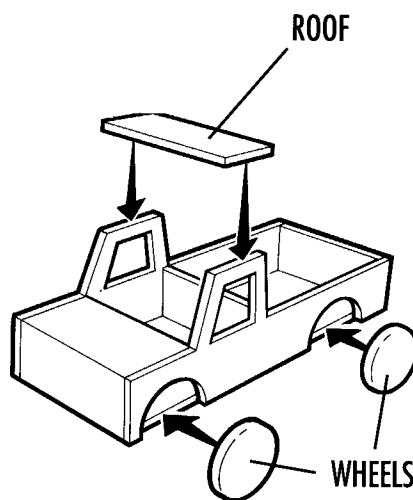
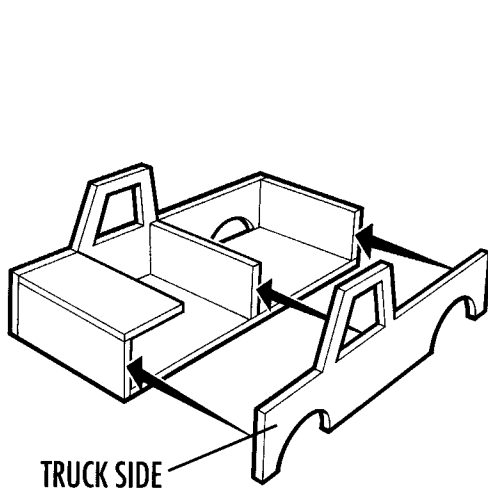
Cut out the shapes on the following pages and trace them onto the wood. Use the jigsaw to cut out the wood pieces. Draw dotted lines on the wood as indicated.



1. Use ELMER'S WOOD GLUE (not included) to glue the TRUCK BED and FLOOR to the TRUCK SIDE as shown.

2. Glue TAILGATE, CAB BACK and FRONT END to assembly along the dotted lines as shown.

3. Glue the HOOD to the front of assembly.



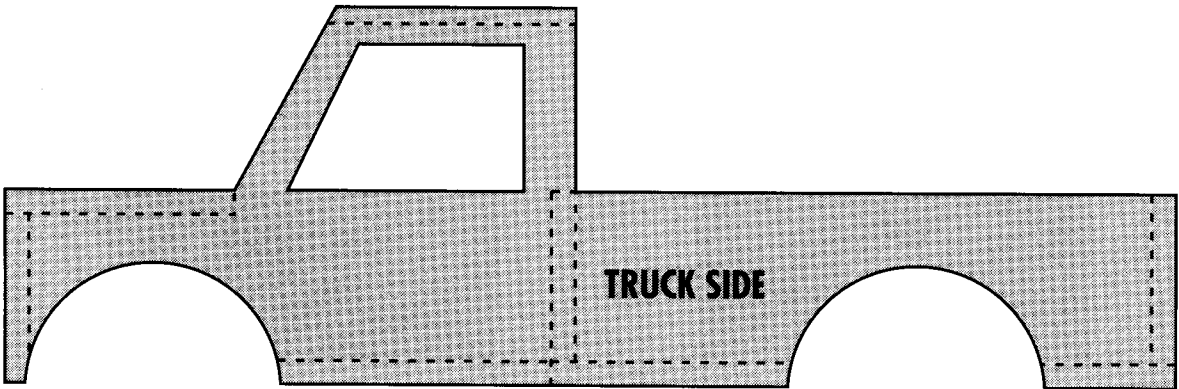
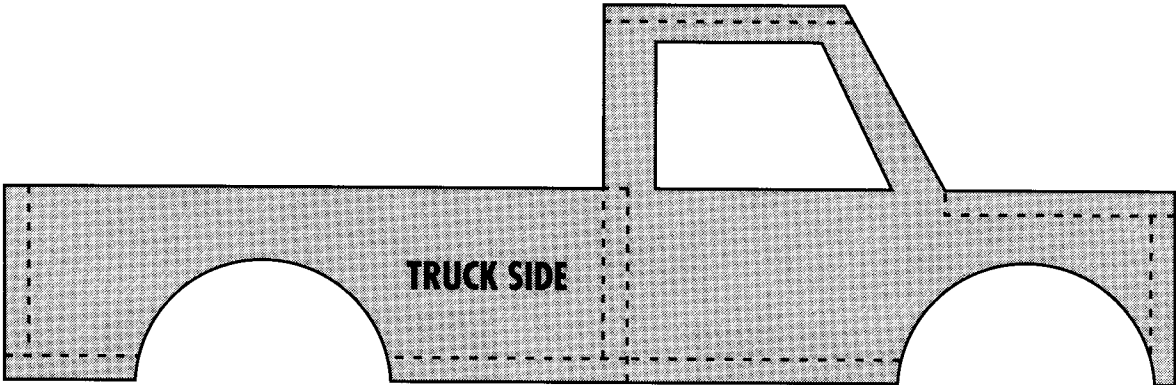
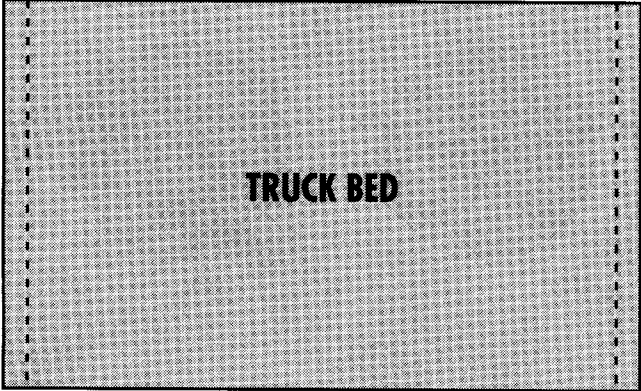
4. Glue the remaining TRUCK SIDE to open side of assembly as shown.

5. Glue ROOF piece to the top of assembly. Glue the 4 WHEELS into the wheel wells on TRUCK SIDES.

6. Glue the 4 HUB CAPS to the WHEELS and the front and rear BUMPERS to ends of truck assembly.

Your truck is now finished! If you'd like, you may customize the truck by cutting out and adding your own headlights, front grill or any other decorative design. Be creative!

PICK-UP TRUCK CUTOUTS (Page 1 of 2)



PICK-UP TRUCK CUTOUTS (Page 2 of 2)

