

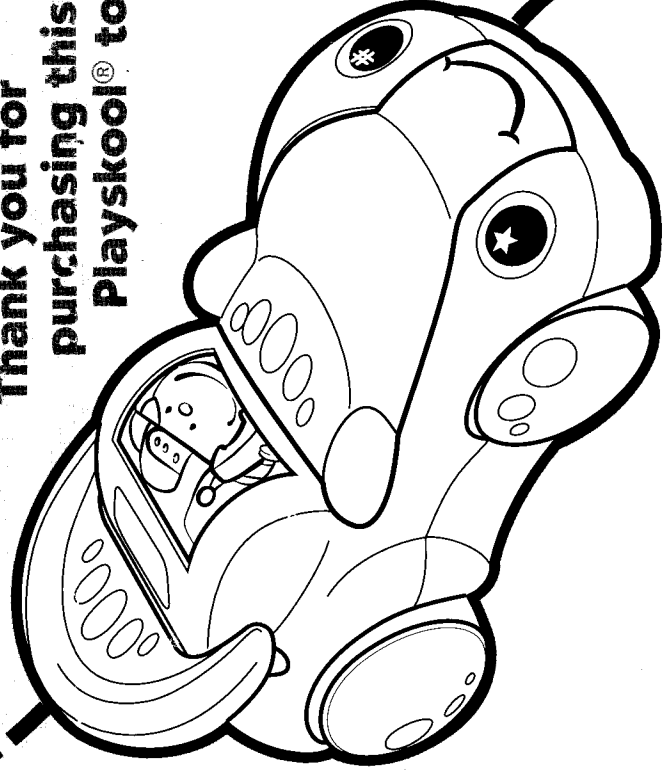
5549

6 Mos. & Up

PLAYSKOOL®

Rev'n Ring Car Phone™

Thank you for
purchasing this
PLAYSKOOL® toy!



Includes toy with 2 "AA" batteries and instructions.
Phillips screwdriver (not included) needed for
battery replacement.

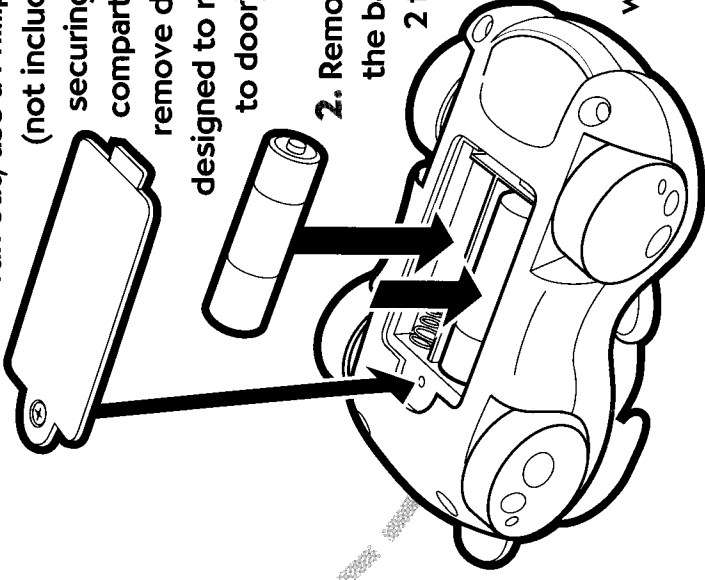
PLAY FEATURES:

- Roll the car to hear "beep-beep" and "vroom-vroom" sounds. (You can also hear the car sounds when you manually turn the back wheels or the roller.)
- The roller spins as the car moves to reveal different drivers. (You can also turn the roller by hand.)
- Flip open the mouthpiece/hood and press the buttons to hear phone sounds.
- Flashing light.
- Mouthpiece/hood and earpiece/spoiler are teetable.



TO REPLACE BATTERIES:

1. This toy is equipped with 2 "AA" batteries. When they run out, use a Phillips screwdriver (not included) to loosen screw securing battery compartment door and remove door (screw is designed to remain attached to door).



2. Remove and discard the batteries. Insert 2 fresh "AA" batteries into battery compartment. Replace the battery door and tighten the screw with screwdriver.

CAUTION: TO AVOID BATTERY LEAKAGE

- 1) Be sure to insert the batteries correctly and always follow the toy and battery manufacturers' instructions;
- 2) Do not mix old and new batteries or alkaline, standard (carbon-zinc) or rechargeable (nickel-cadmium) batteries;
- 3) Always remove weak or dead batteries from the product.