

# Tonka<sup>®</sup>

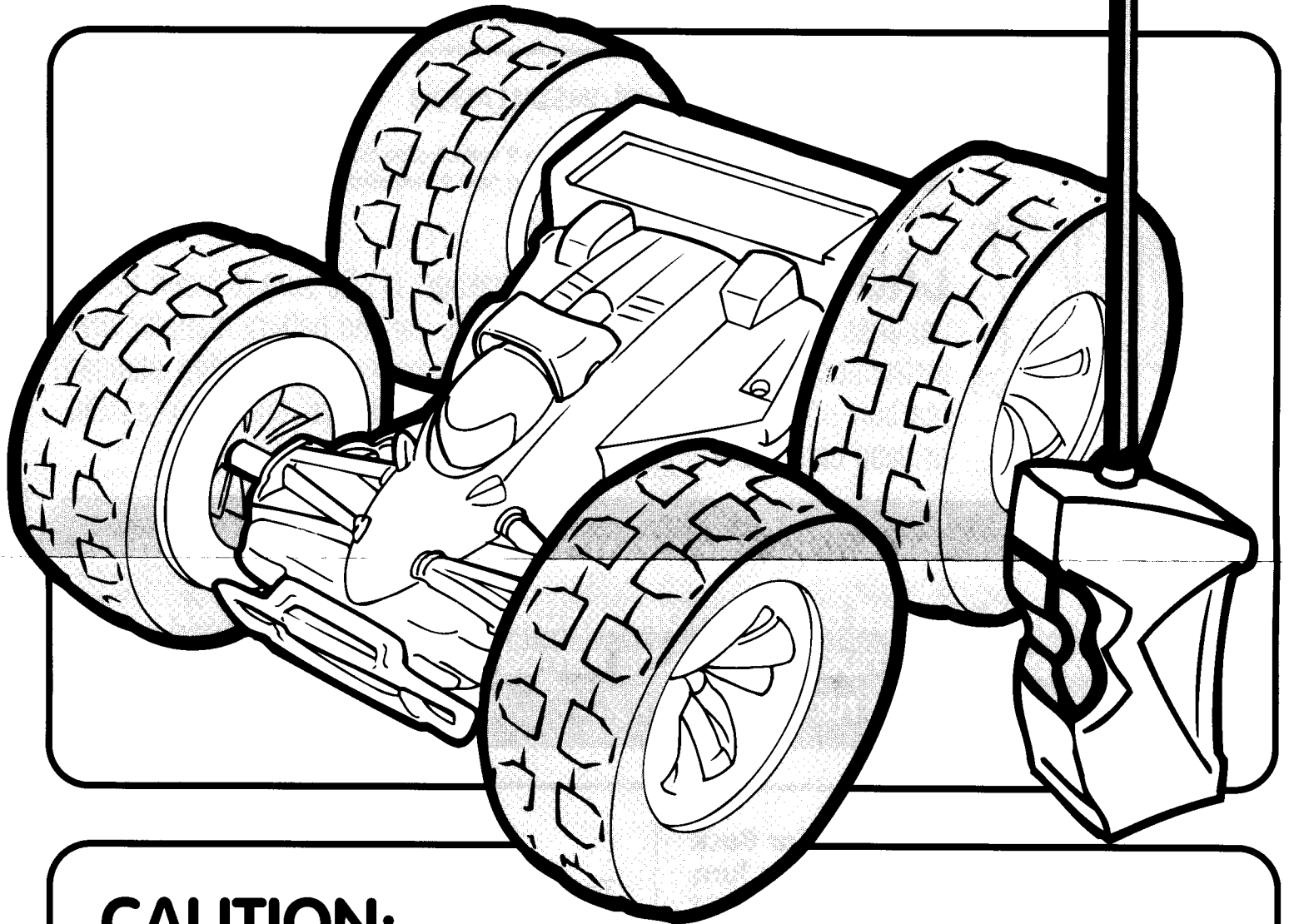
## RADIO-CONTROLLED <sup>27MHz</sup> RICOCHET JR.<sup>®</sup>



### WARNING:

CHOKING HAZARD - Small parts.  
Not for children under 3 years.

AGES 3 AND UP



### CAUTION:

Adult supervision required. Please read all instructions before operating this vehicle. Avoid hitting people, pets or furniture. Do not pick up vehicle while it is in motion. Keep hands, hair and clothing away from this vehicle when the power switch is "ON". Remove batteries when vehicle is stored. Also remove transmitter battery. **AVOID TIRE CONTACT ON PAINTED OR VARNISHED SURFACES.**

Changes or modifications to this unit not expressly approved by the party responsible for compliance could void the user's authority to operate the equipment.

This device complies with Part 15 of FCC Rules. Operation is subject to the following two conditions: (1) This device may not cause harmful interference, and (2) This device must accept any interference received, including any interference that may cause undesired operation.

**Kenner**

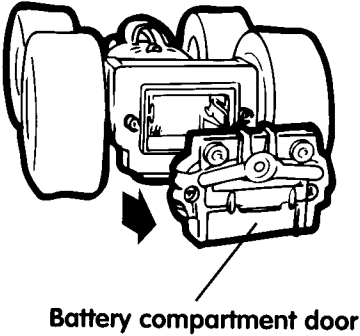
© 1996 HASBRO INC.,  
Pawtucket, Rhode Island 02862  
All Rights Reserved.  
US Patent No. D-362,280  
and US Patent Pending

MADE IN CHINA

529631.01

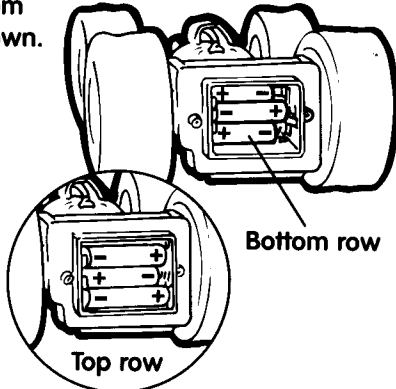
## BATTERY REQUIREMENTS/INSTALLATION FOR VEHICLE

- 1.** Remove two screws. Remove battery compartment door from back of vehicle as shown.

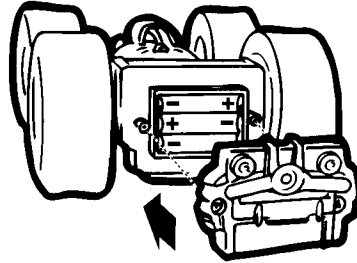


Battery compartment door

- 2.** Install 6 "AA" alkaline batteries (2 rows of 3 batteries) into vehicle with racer side up as shown.

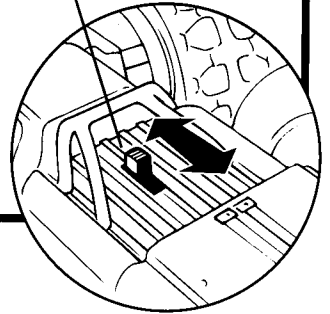


- 3.** Replace battery compartment door. Replace two screws.



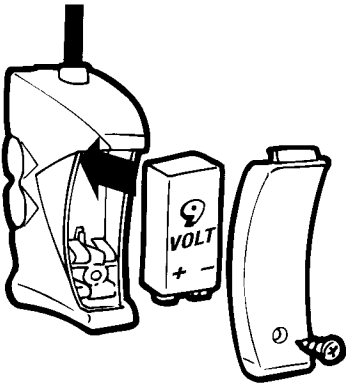
- 4.** Slide vehicle power switch ON. Now prepare transmitter for play.  
NOTE: The vehicle Automatic Shut-Off feature will turn the vehicle off after 4 minutes with no play.

On-Off Switch



## BATTERY REQUIREMENTS/INSTALLATION FOR TRANSMITTER

To operate your transmitter you will need a 9 volt alkaline battery (sold separately). Remove battery cover as shown and install a new 9 Volt alkaline battery. Replace cover & screw.



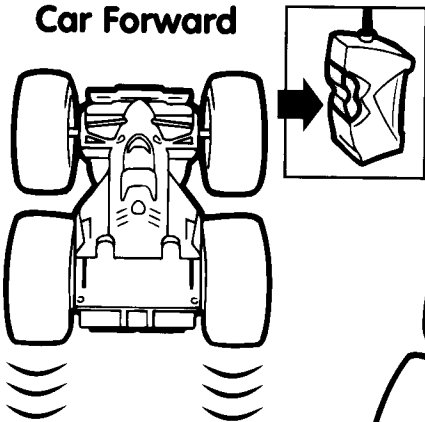
**CAUTION:** To avoid battery leakage, (1) Be sure to insert the batteries correctly and always follow the toy and battery manufacturer's instructions. (2) Do not mix old and new batteries or alkaline, standard (carbon-zinc) or rechargeable batteries. (3) Always remove exhausted or dead batteries from the product.

## IMPORTANT INFORMATION ABOUT AUTOMATIC SHUT-OFF FEATURE

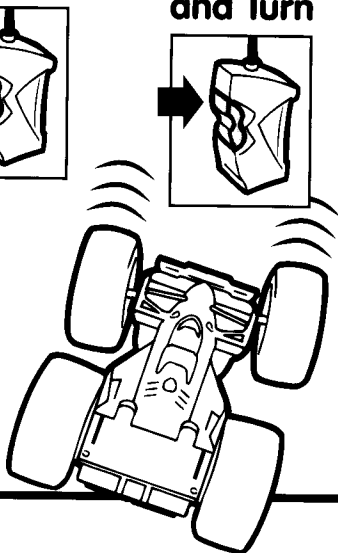
- Vehicle will turn itself off automatically after 4 minutes with no play.
- The power switch must **ALWAYS** be turned off then back on again to make the vehicle run.

### DIRECTION CONTROLS

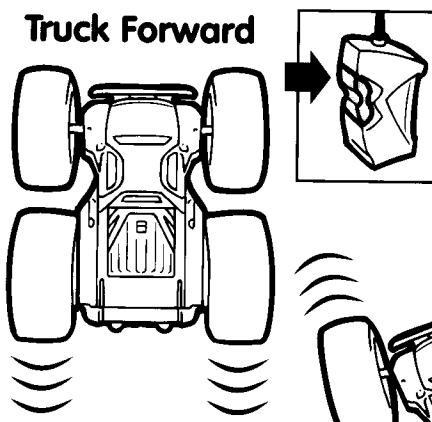
#### Car Forward



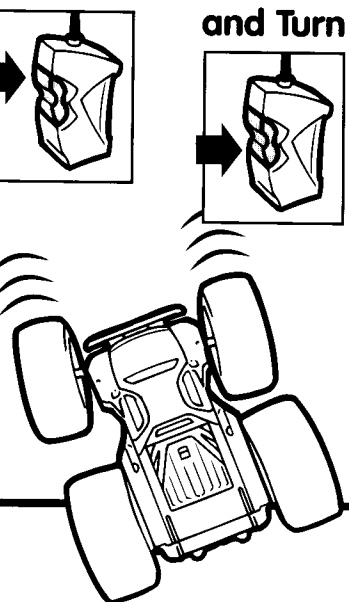
#### Car Back and Turn



#### Truck Forward



#### Truck Back and Turn



## PROPER OPERATION AND STORAGE OF YOUR VEHICLE

- Best Operation** of vehicle is on a textured surface avoiding furniture.
- Always** operate your vehicle within a range of 30-40 feet from you.
- Always** operate your vehicle on dry surfaces away from cars and other full-size vehicles.
- Always** store your vehicle in a cool, dry place and off of painted or varnished surfaces.
- Avoid** water or damp locations which may damage the vehicle's electronics. (If your vehicle ACCIDENTALLY gets wet and stops running, let it dry overnight before trying to run it again.)
- Avoid** operating around CB radios, baby monitors, cordless phones, electrical appliances, electric baseboard heaters, high voltage electrical wires and large, steel-reinforced concrete buildings all of which may cause interference.
- Avoid** running your vehicle and another vehicle on the same frequency.