

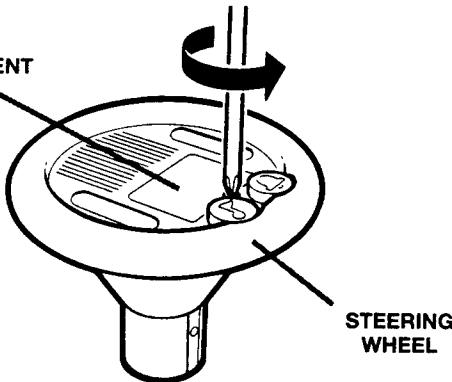


Ride Around Train™

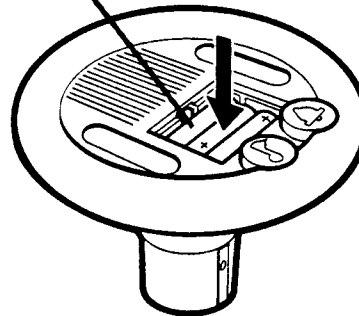
Instructions

BATTERY DIRECTIONS Battery installation requires a Phillips® screwdriver (not included).

BATTERY COMPARTMENT COVER



3 "AAA" BATTERIES



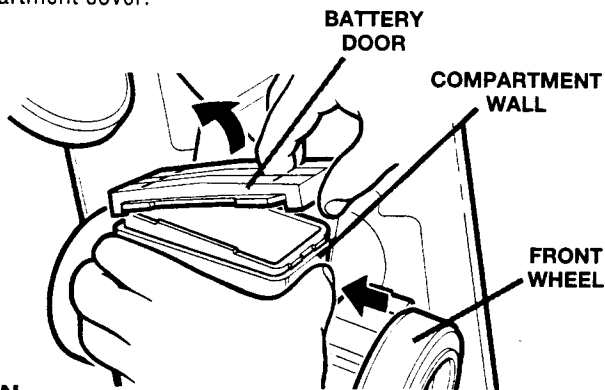
CAUTION:
TO AVOID BATTERY LEAKAGE

- A. Be sure to insert the batteries correctly and always follow the toy and battery manufacturers' instructions.
- B. Never mix old batteries and new batteries, or standard (carbon-zinc) with alkaline batteries.
- C. Always remove exhausted or dead batteries from the product.
- D. Remove batteries if product is stored for a long period of time.

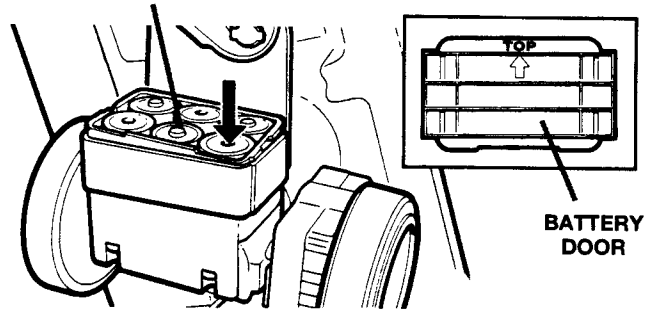
STEERING WHEEL

1. Use the screwdriver to loosen the screw securing the battery compartment cover.

2. Remove the battery door, and insert 3 "AAA" batteries as shown (alkaline batteries recommended). Replace the battery door and re-fasten it with the screwdriver.



6 "D" BATTERIES

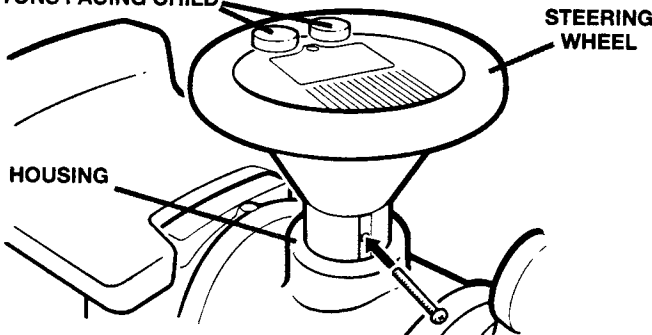


TRAIN

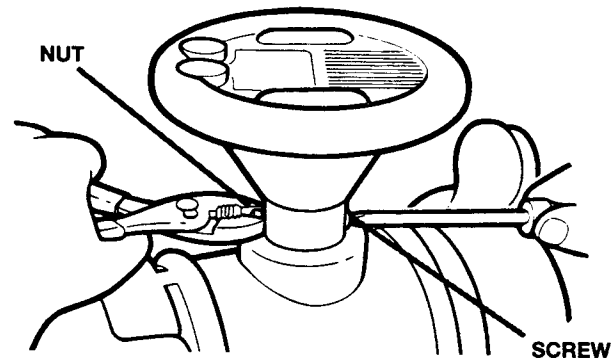
3. Place the train either on the floor or on your lap with the **front side facing down**. The battery door is located just above the front wheel axle. Use your left thumb to press the compartment wall in, and your right hand to grasp and pull the door up and off.

4. Insert 6 "D" batteries using the positive/negative indicators for placement (alkaline batteries recommended). Replace door by snapping it back into place with the side marked "TOP" facing up and the arrow pointing into the bottom of the train.

BUTTONS FACING CHILD



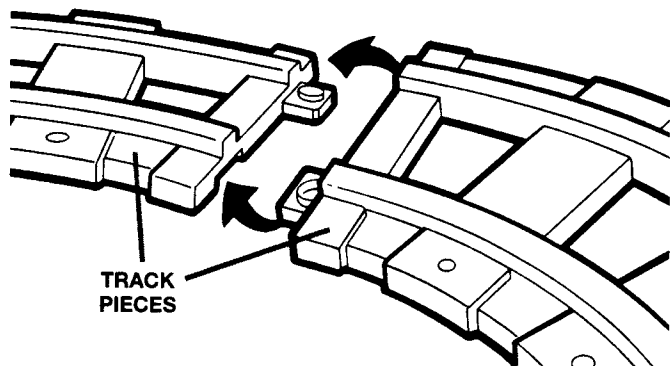
NUT



STEERING WHEEL ASSEMBLY

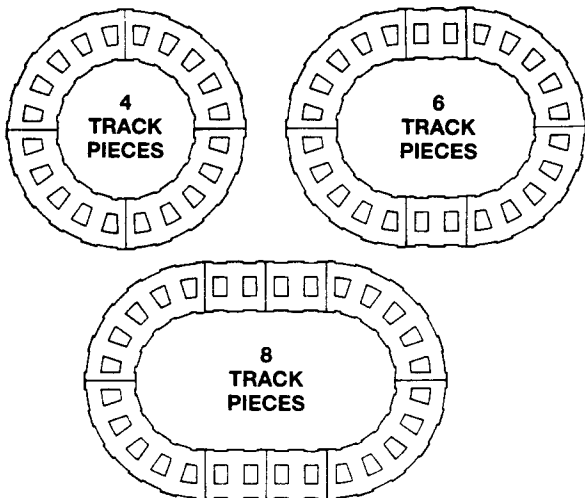
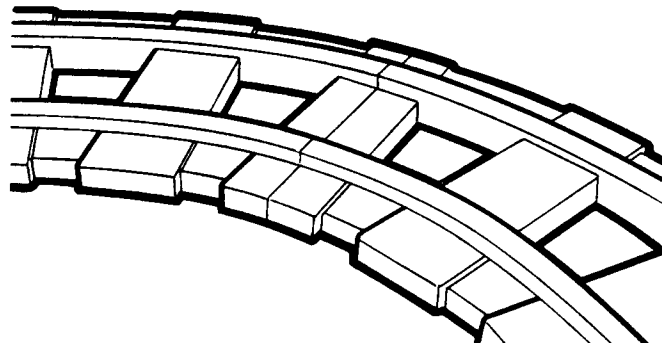
5. Use the enclosed screw and nut to assemble the steering wheel to the train. Slip the wheel into the housing as shown. Be sure to place the wheel so that the bell and whistle buttons face your child as he/she sits on the train seat.

6. After placing the wheel, slide the screw through the holes and use the nut to secure it in place. Tighten the screw into the nut using a Phillips® screwdriver and a pair of pliers as shown.

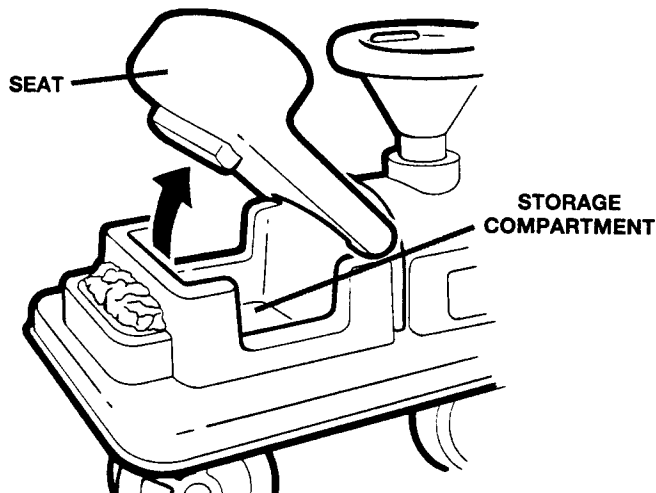


TRAIN TRACK ASSEMBLY

7. Place any track piece on a smooth, flat surface. Lift one end approximately 2" off the ground and hold a second track piece diagonally against it as shown.

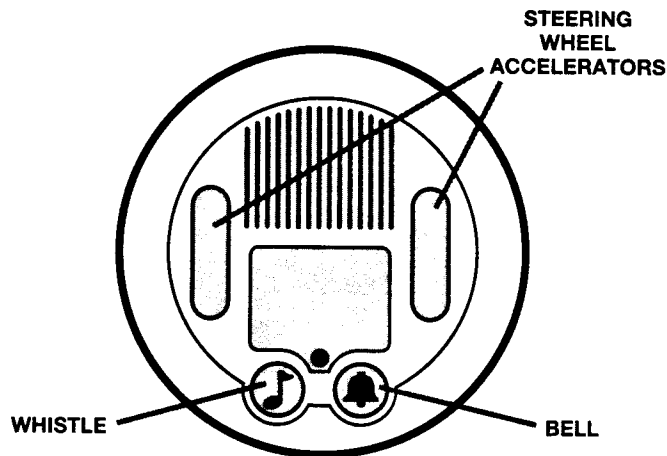


9. The tracks may be assembled in any of 3 ways. You may use 4, 6 or 8 track pieces to form a circle, oval, or rectangle.



11. The storage compartment is located underneath the train seat. Lift the seat as shown to open the compartment.

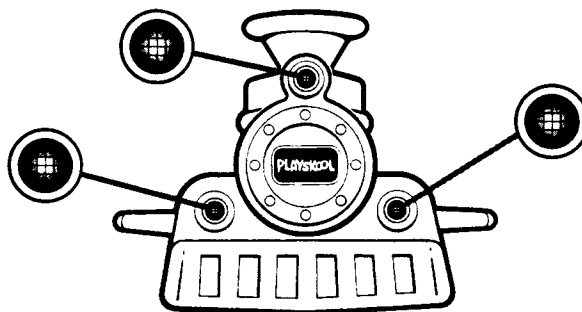
8. Slide into place as shown. The top and bottom tabs will lock into place.



PLAY INSTRUCTIONS

10. Ride Around Train may be used on or off the track system, with or without battery power. Both the train and track system should always be used on a smooth, clean surface, free of obstacles. For battery-powered riding fun, press either of the two steering wheel accelerators to move in a forward motion. The wheel is easy to steer for preschoolers, and the bell and whistle sounds add to the excitement!

Without batteries, Ride Around Train is a kid powered, foot-to-floor ride-on!

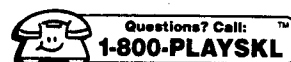


12. Peel and apply labels as shown.

NOTE: If any of Ride Around Train's electronic features do not work properly, check the batteries in the train and in the steering wheel: they may have been inserted incorrectly or need to be replaced.

WARNING: This ride-on toy is not to be used near swimming pools, on or near hills, roadways, or stairways. Shoes must be worn at all times when riding this toy. Designed for only one rider at a time.

©1992 Playskool, Inc., Pawtucket, RI 02862 U.S.A., a subsidiary of Hasbro, Inc. All Rights Reserved.
 Distributed In the U.K. by Playskool (U.K.), a division of Hasbro Bradley, U.K. Ltd., Caswell Way, Newport, Gwent, NP9 0YH.
 © denotes Reg. U.S. Pat. & TM Office. U.S. Patent Pending.
 Steering wheel and electronic components made in China. All other components made in U.S.A. Printed in U.S.A.
 2105 P/N 42780800



For future reference, our toll-free consumer service number is also located on this product.