

5495

INSTRUCTIONS

8-36 mos. (Rocker)
12-36 mos. (Ride-on)



Rock 'n Ride Pony™

A Rocking Pony and Ride-on In One!

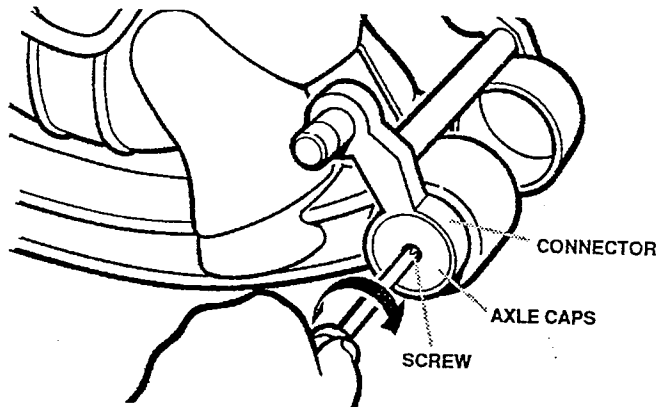
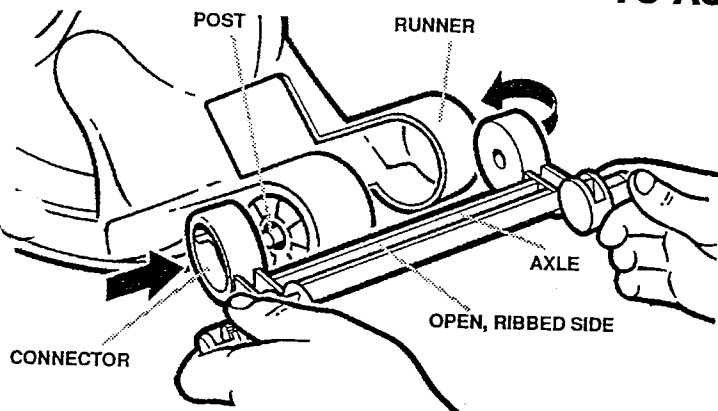
PLEASE KEEP THESE INSTRUCTIONS FOR FUTURE REFERENCE.

Some Adult Assembly Required. Phillips® Screwdriver Needed.

WARNING: THIS RIDE-ON TOY IS NOT TO BE USED NEAR SWIMMING POOLS, ON OR NEAR HILLS, ROADWAYS, OR STAIRWAYS. SHOES MUST BE WORN AT ALL TIMES WHEN RIDING THIS TOY. DESIGNED FOR ONLY ONE RIDER AT A TIME. PARENTAL SUPERVISION REQUIRED. PERIODICALLY CHECK TO BE SURE SCREWS ARE SECURE.

PARTS: 2 Axles, 4 Axle Caps, 4 Screws and 4 Wheels.

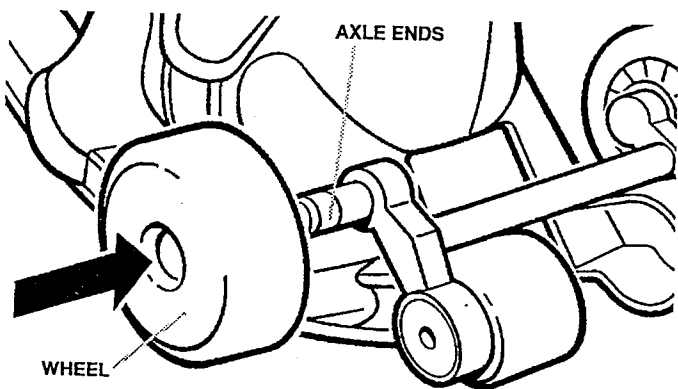
TO ASSEMBLE



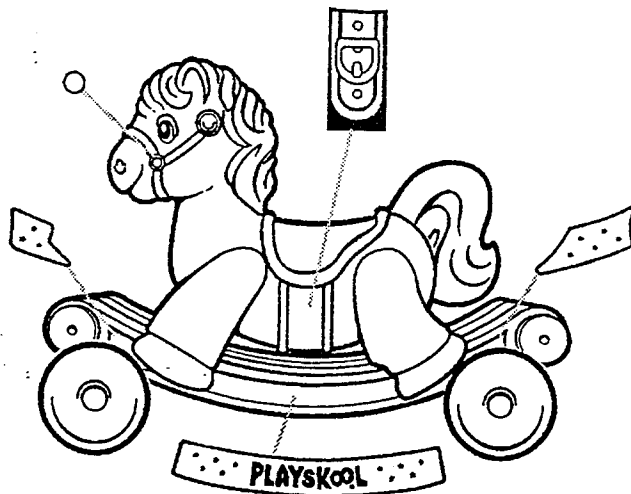
1. With open, ribbed side of axle facing up, fit axle connector over post on runner. Pull other axle connector outward and place it onto other post as shown. A flathead screwdriver may be needed to pry axle connector up and over post.

Note: Because connector holes are different diameters, connectors will only fit properly on the posts one way.

2. Fit axle caps into connector openings as shown. Tighten screw into each cap, connector and post.



3. Press wheels onto axle ends (Playskool logo facing out). Rest pony on its side with wheel facing up. Strike wheel with palm of hand until it snaps into place and spins freely. **Note:** Once wheels have been snapped on, they cannot be removed. Repeat steps 1, 2 and 3 for other end of rocker.

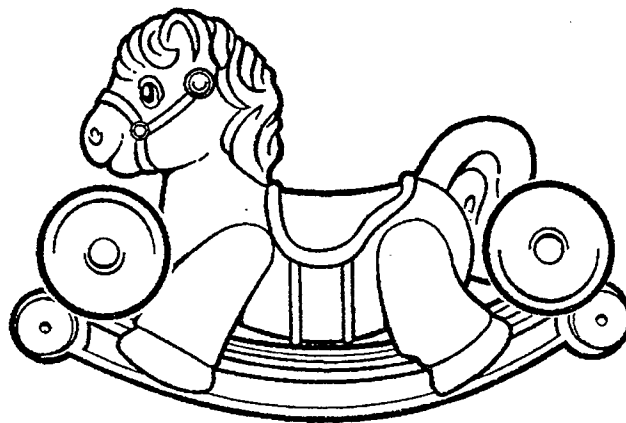
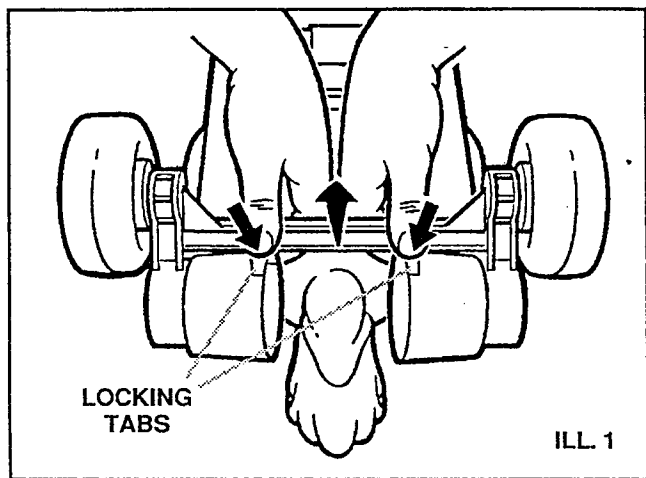


4. Peel and apply labels as shown. Repeat process for other side of pony.

5495

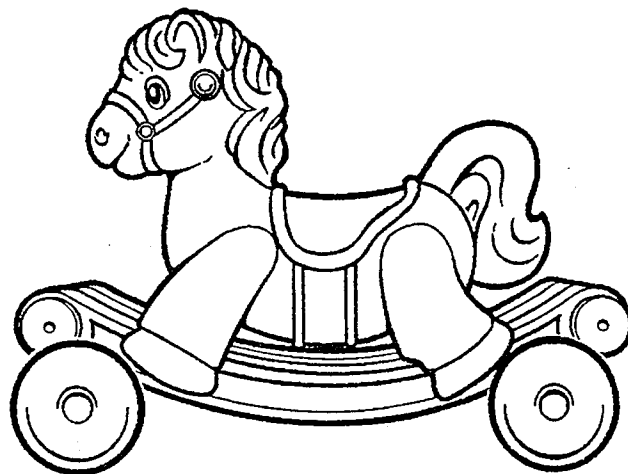
TO USE AS A ROCKER (WHEELS UP)

To move each set of wheels up, press thumbs against locking tabs while pulling down on axle (ILL. A). Swivel axles up and rest them on top of runners. If axle is loose and does not stay in upright position during rocking, tighten axle screws to improve fit.



TO USE AS A RIDE-ON (WHEELS DOWN)

Swivel axles down and snap them firmly into place under the locking tabs. If an axle does not snap firmly into place, check to see if it has been put on backward (see step 1).



CAUTION:

To ensure pony is stable for riding, make certain that wheels are locked in place. Test wheels by pushing down on pony as you roll it.

Do not allow your child to use the toy with one set of wheels down and one set up.



Questions? Call: **1-800-PLAYSKL**™

For future reference, our toll-free consumer service number is also located on this product.