

AGES 4 AND UP



**WARNING:**

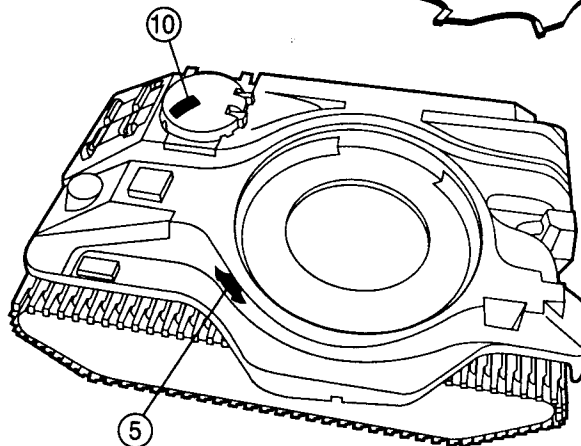
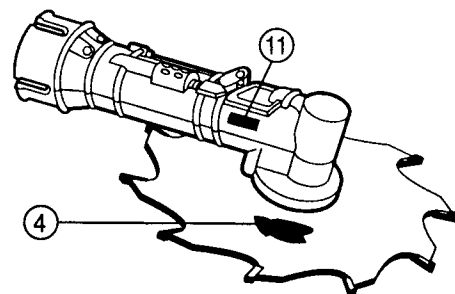
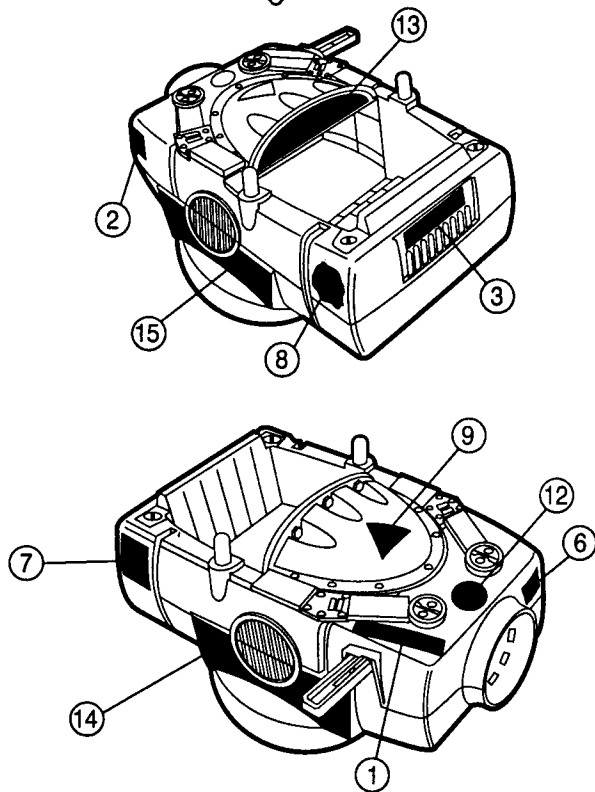
CHOKING HAZARD - Small parts.  
Not for children under 3 years.



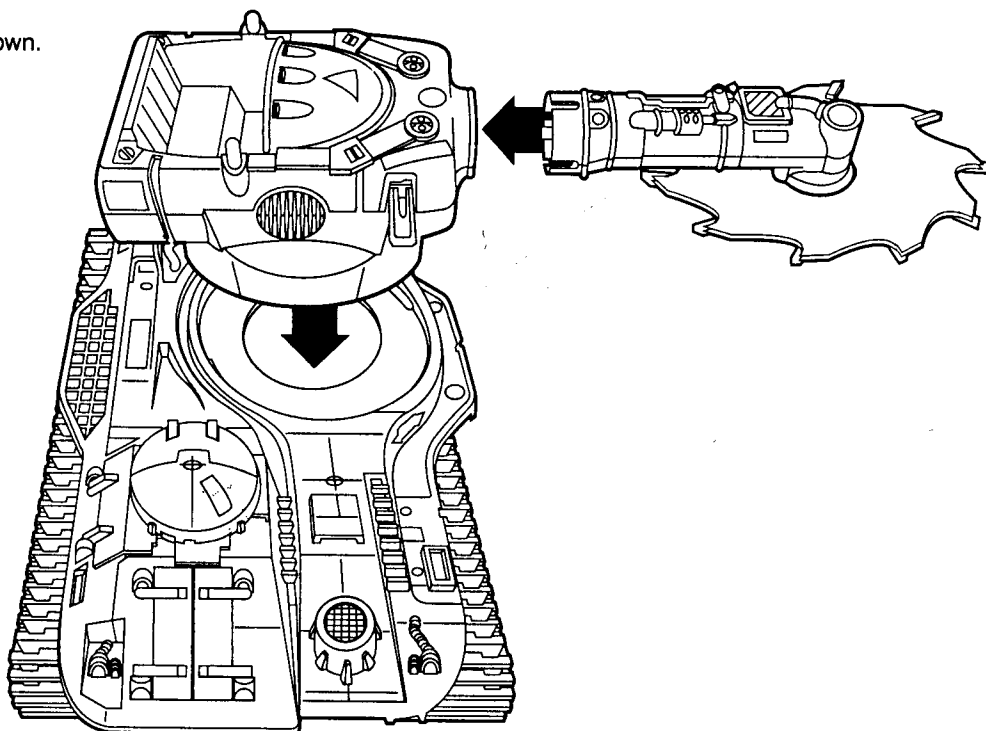
# BUZZSAW TANK™

## INSTRUCTIONS

1 Apply labels to the unassembled parts using the numbers on the label sheet and these illustrations as a guide.

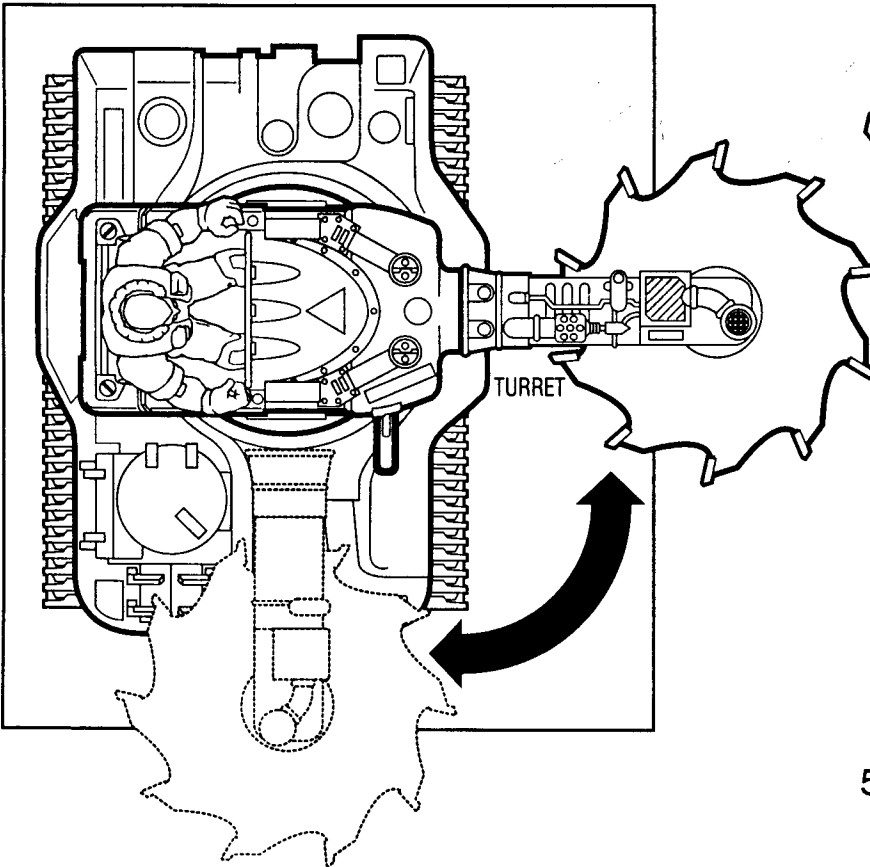
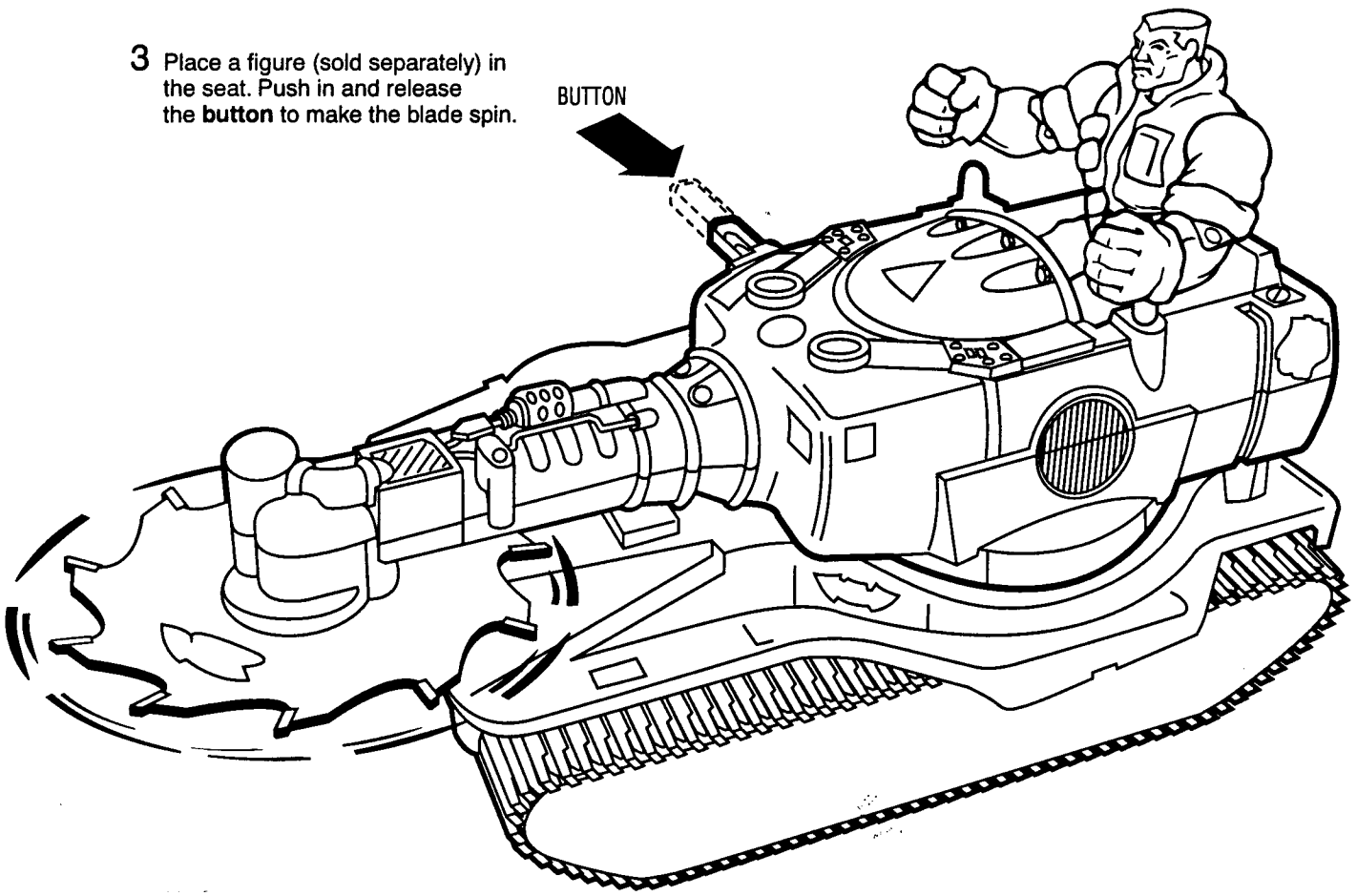


2 Assemble pieces together as shown.

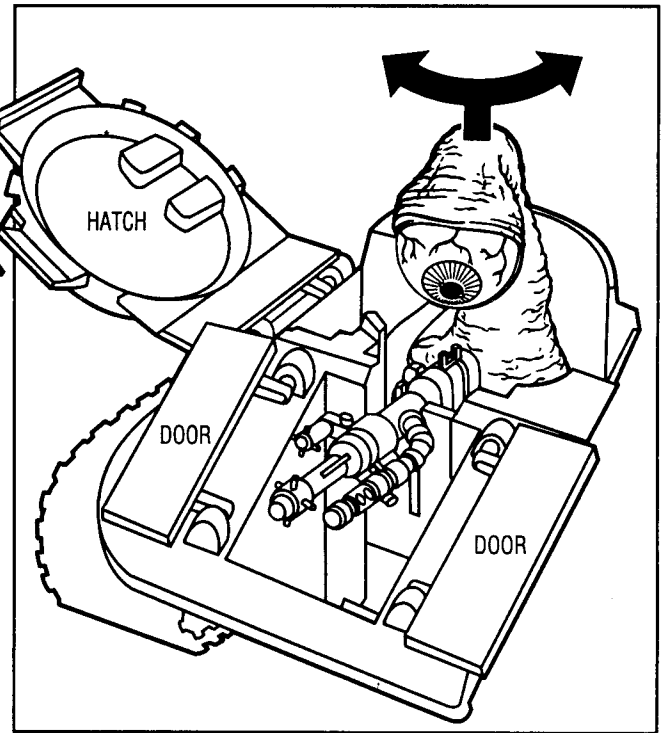


3 Place a figure (sold separately) in the seat. Push in and release the **button** to make the blade spin.

BUTTON



4 The **turret** can be moved as shown in the above illustration.



5 Manually open the **hatch** and the **doors**. Lift the attached figure up and turn it slightly in either direction to hold it in place. Turn it back and push it down to lower it into the tank. Close the hatch and the doors.

**Kenner**<sup>®</sup>

© & © 1998 HASBRO, INC.  
Pawtucket, Rhode Island 02862.  
All Rights Reserved.

TM & © 1998 Universal City  
Studios, Inc. and DreamWorks.

MADE IN MEXICO