



# RADIO CONTROL ARCHER'S™ POWER DRILL CYCLE

Radio Control Power with Amazing Speed!

27 Mhz. uses 1-9 volt battery and 4-"AA" alkaline batteries (not included).

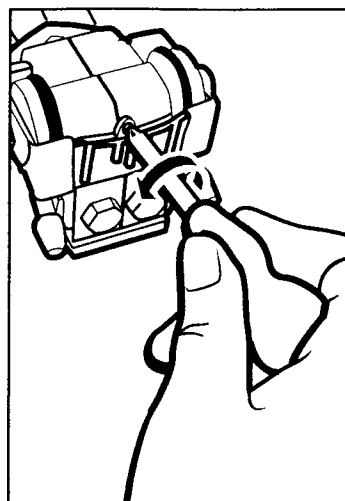
## ASSEMBLY REQUIRED.

### BATTERY REQUIREMENTS:

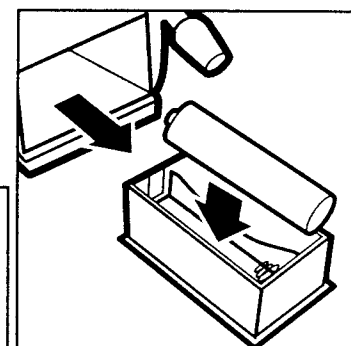
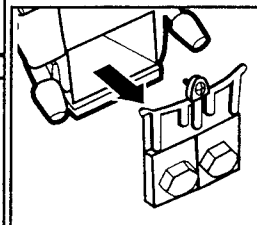
#### CAUTION:

#### To avoid battery leakage:

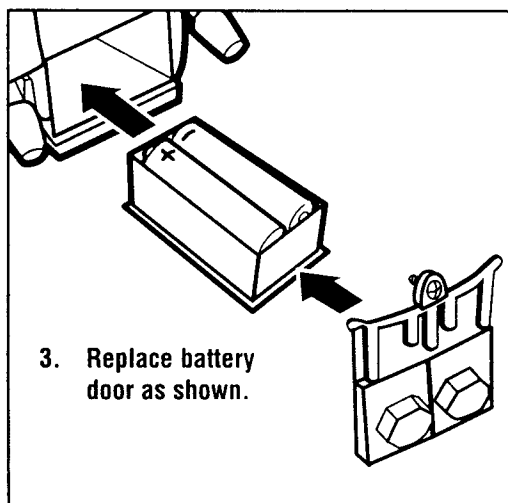
1. Be sure to insert the batteries correctly and always follow the toy and battery manufacturer's instructions.
2. Do not mix old and new batteries, or alkaline, standard (carbon-zinc) or rechargeable batteries.
3. Always remove exhausted or dead batteries from the product.



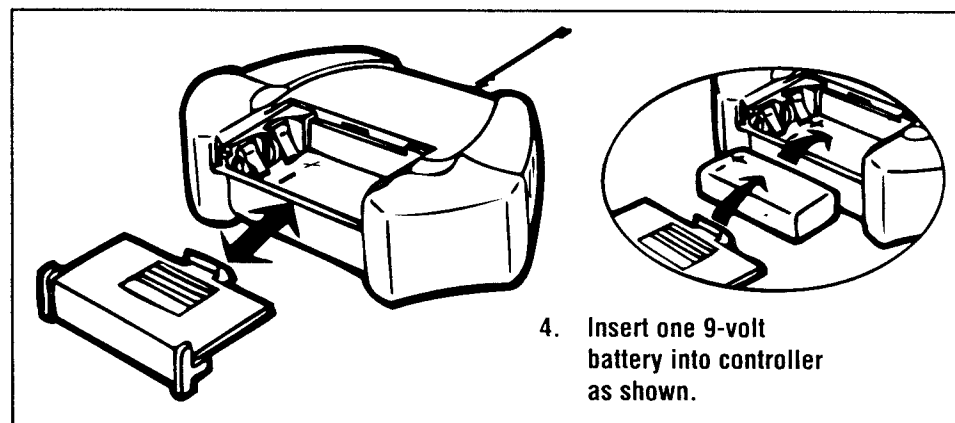
1. Remove screw. Remove battery door as shown in the illustration.



2. Insert 4 "AA" batteries as shown.



3. Replace battery door as shown.



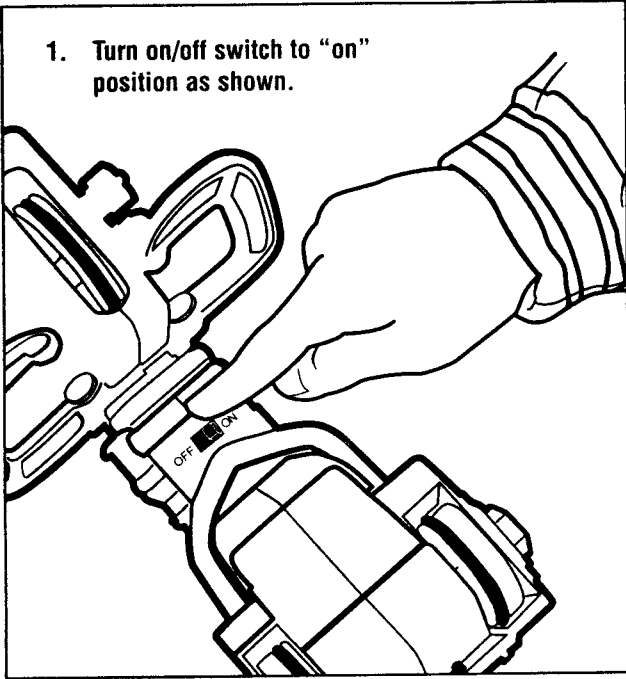
4. Insert one 9-volt battery into controller as shown.

### SAFETY PRECAUTIONS:

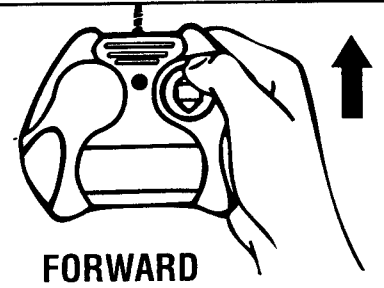
This vehicle is not recommended for children under the age of 4 years. Please read all the instructions before operating this vehicle. Always follow general safety rules while operating vehicle: avoid hitting pets, furniture or people. Do not pick up vehicle while it is in motion. Keep hands, hair and clothing away from this vehicle when the power switch is turned to the "ON" position. Remove batteries when vehicle is stored. Avoid tire contact on painted or varnished surfaces. Recommended outdoor play with this vehicle.

## TO OPERATE VEHICLE:

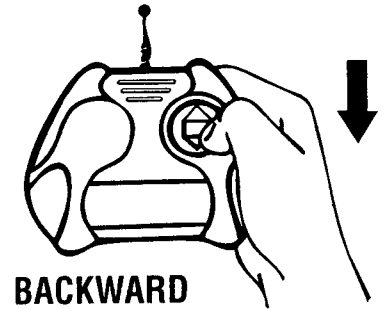
1. Turn on/off switch to "on" position as shown.



2. Toggle switch allows vehicle to move forward.



3. Push toggle switch backward. This will activate the vehicle to turn and reverse.



## FCC STATEMENT

Changes or modifications to this unit not expressly approved by the party responsible for compliance could void the user's authority to operate the equipment.

**Kenner**<sup>®</sup>  
**DREAMWORKS**

Product and colors may vary.  
© & © 1998 Hasbro, Inc., Pawtucket, Rhode Island  
02862 USA. All Rights Reserved.  
TM & © 1998 Universal City Studios, Inc. and DreamWorks.  
**MADE IN CHINA**  
TM & © denotes US trademarks