

PLAYSKOOL®

# Steady Steps® Schoolbus Walker

Toddler 9-36 mos.

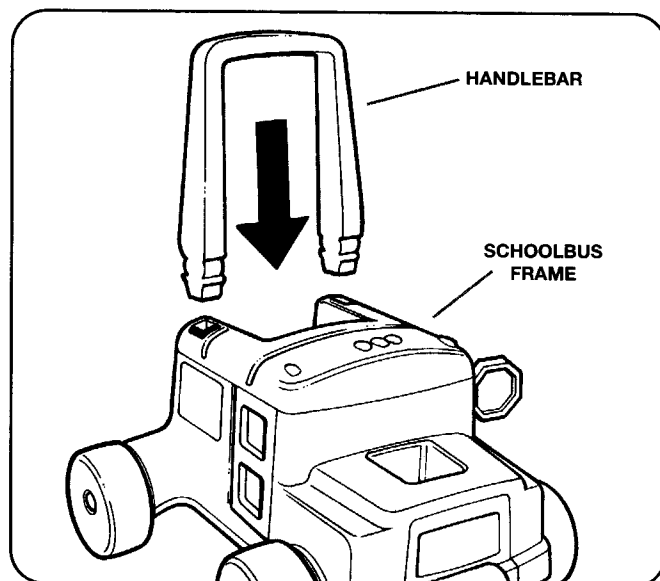
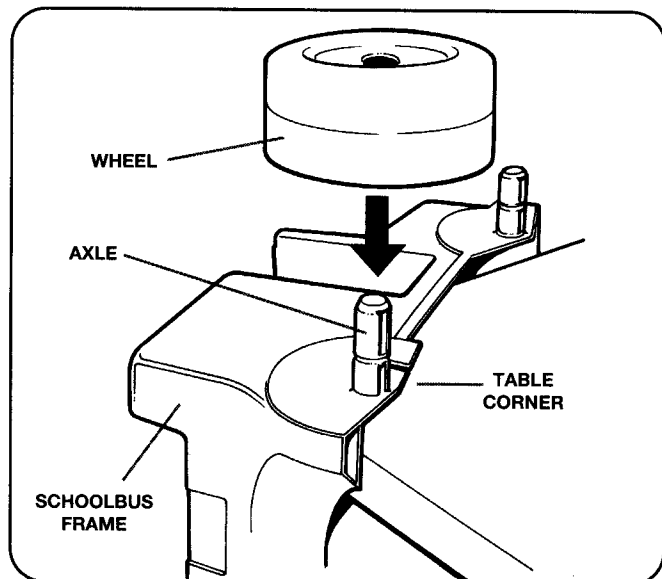


## ADULT ASSEMBLY REQUIRED

If child cannot walk independently, do not leave him/her unattended when playing with walker.

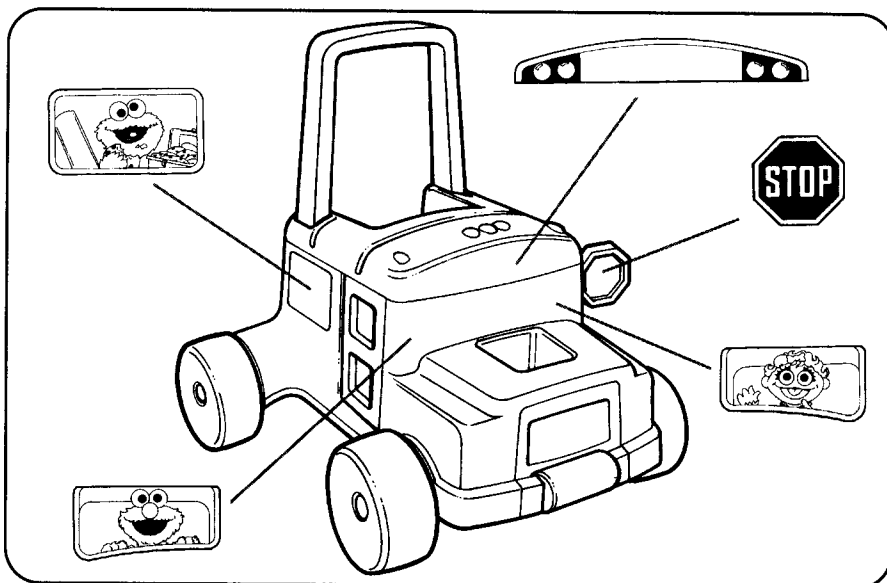
INCLUDES: SCHOOLBUS FRAME, WALKER HANDLEBAR, WHEELS (4), BIG BIRD FIGURE, SCHOOLBUS LABELS

## TO ASSEMBLE:



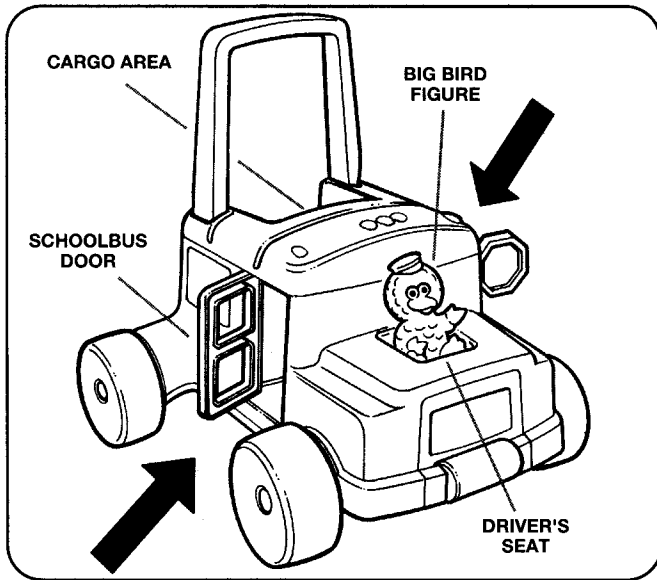
1. Attach the wheels to the 4 axles on the schoolbus frame. Use a table corner for support as shown, and push wheel onto end of axle until it snaps firmly into position. **To prevent a pinch hazard, always keep fingers clear of area between wheel and axle.** The wheel should spin freely on axle. If wheel does not spin freely, re-exert pressure and push wheel as far down onto axle as it will go. Repeat process for remaining 3 wheels. **Note: This is a one-time assembly. Once attached, do not remove wheels, as they cannot be re-attached.**

2. Snap the walker handlebar onto the schoolbus frame as shown. The handlebar will fit correctly either way; there is no front or back. **Note: This is also a one-time assembly, and is not designed to be disassembled and re-attached.**

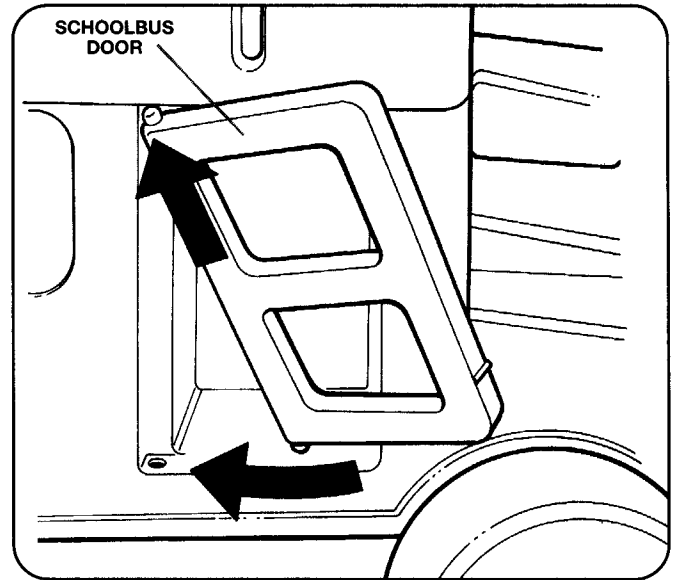


3. Apply the 5 schoolbus labels as shown: 1 on the front of schoolbus roof, 2 on the windshield, 1 on the door side of the bus, and 1 on the stop sign.

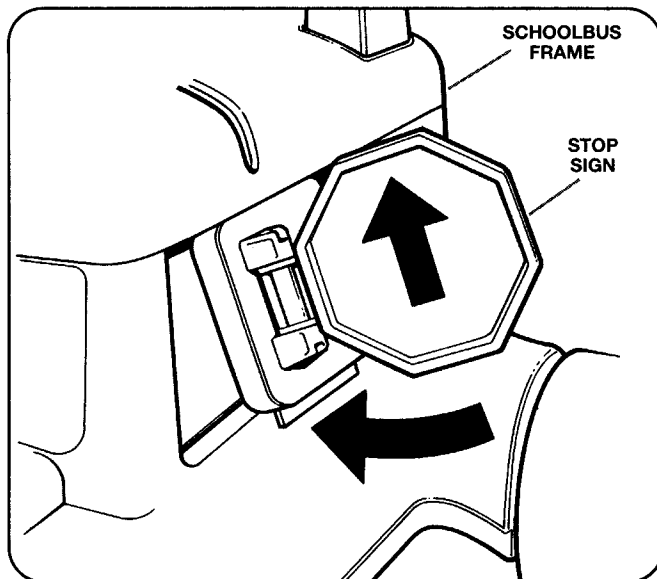
## CONSUMER NOTES:



1. The Big Bird figure can be placed in the front driver's seat or inside the schoolbus door. The cargo area in back of the schoolbus can be used for toy storage.



2. If the schoolbus door should ever come unattached from the schoolbus frame, snap back into place by placing the top peg in top hole and then sliding the bottom peg into bottom hole at an angle as shown.



3. If the stop sign should ever come unattached from the schoolbus frame, snap back into place by pushing the top up and in and then pulling bottom down and in as shown.

Jim Henson Sesame Street Muppet characters © 1993 Jim Henson Productions Inc.  
© 1993 Children's Television Workshop. Sesame Street and the Sesame Street Sign are trademarks and service marks of the Children's Television Workshop.  
This product was developed by Playskool in cooperation with Children's Television Workshop, producers of SESAME STREET.  
Children do not have to watch the television programs to benefit from the product. Workshop revenues from this product will be used to help support CTW educational projects.  
© 1993 Playskool, Inc., Pawtucket, RI 02862 USA, a subsidiary of Hasbro, Inc. All Rights Reserved.  
® denotes Reg. U.S. Pat. & TM Office.  
**Big Bird figure made in China. All other parts made in USA.**  
5508 P/N 44093900



Questions? Call: **1-800-PLAYSKL**™

For future reference, our toll-free consumer service number is also located on this product.