

**WARNING:** Contains small parts which present a choking hazard to children under three. **CAUTION:** Do not aim weapon at eyes or face.

**AGES: 5 & Up**

# STARGATE™

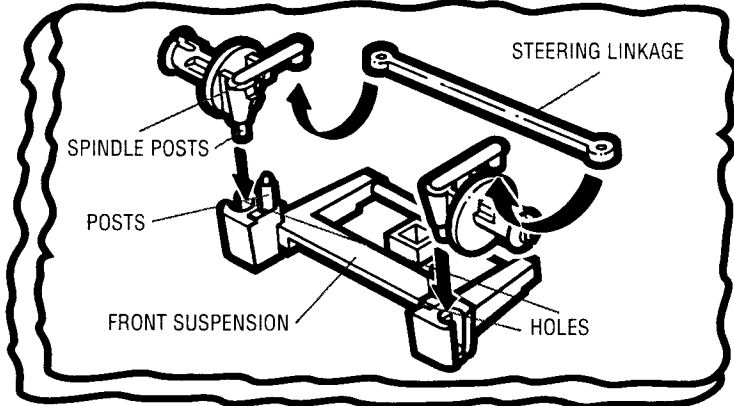
## ALL-TERRAIN CRUISER

Remove all pieces from plastic frames. If you have difficulty use safety scissors.

### INSTRUCTIONS

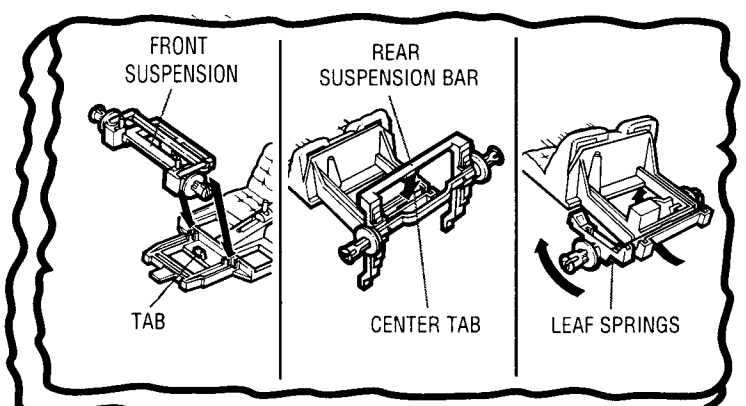
Contains: Body top & bottom, missile launcher, launcher mount, front & rear suspension, dashboard, steering wheel, "videocam" and cable, engine halves, engine cover, front bumper, 2 headlights, roll bar, 4 missiles, 2 antennas, 4 wheels, label sheet and instructions.

#### FRONT SUSPENSION/LINKAGE/SPINDLE ASSEMBLY



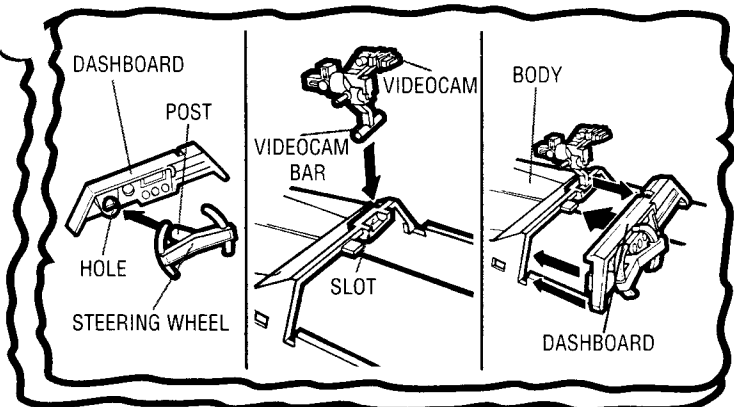
1. With posts on front suspension facing up, insert spindle posts into holes in suspension and holes in steering linkage, making sure flat side of steering linkage faces down.

#### FRONT/REAR SUSPENSION ASSEMBLY



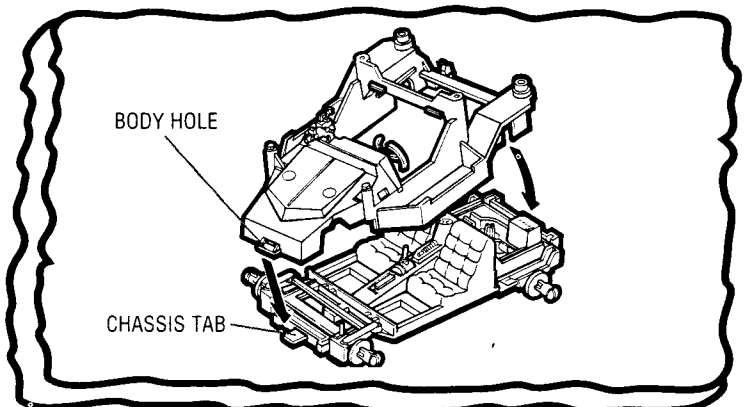
2. Snap hole in center of front suspension onto tab at front of chassis. Place center tab on rear suspension bar into hole in rear of chassis. Swing suspension under chassis and snap ends of leaf of springs onto tabs behind seats.

#### DASHBOARD ASSEMBLY



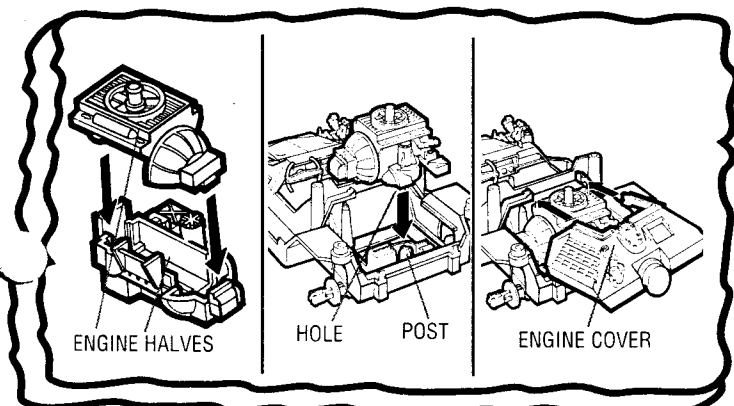
3. Insert steering wheel post into hole in dashboard. With videocam pointing forward, place videocam bar into slot in body and hold in place. Push dashboard forward as shown until it snaps into body and locks camera bar in place.

#### BODY ASSEMBLY



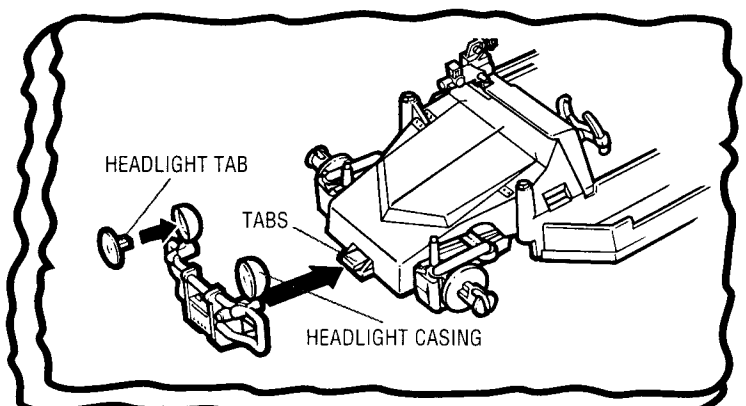
4. Insert tab on front of chassis into hole in front of body. Push down on rear of body snapping it onto chassis.

#### ENGINE/ENGINE COVER ASSEMBLY



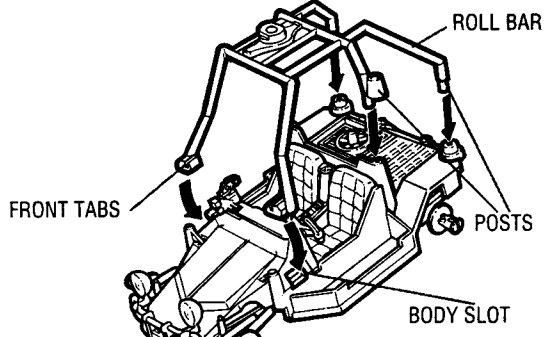
5. Snap engine halves together. Fit hole under engine and snap into place. Engine and cover are removable for pretend repair.

#### FRONT HEADLIGHTS/BUMPER ASSEMBLY



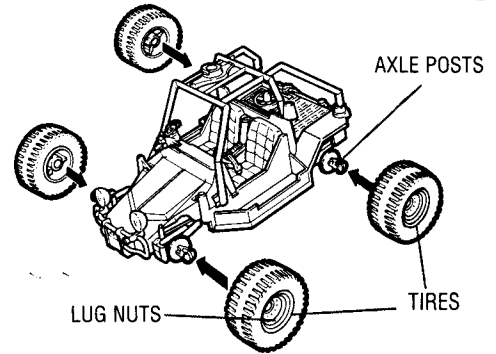
6. Push tabs on headlights into headlight casing holes. Snap bottom of bumper onto tab at front of vehicle.

## ROLL BAR ASSEMBLY



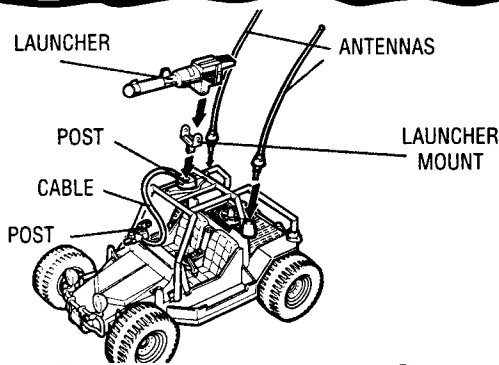
7. Snap front tabs on roll bar into slots on sides of body. Insert the four roll bar posts into corresponding body holes.

## WHEEL ASSEMBLY



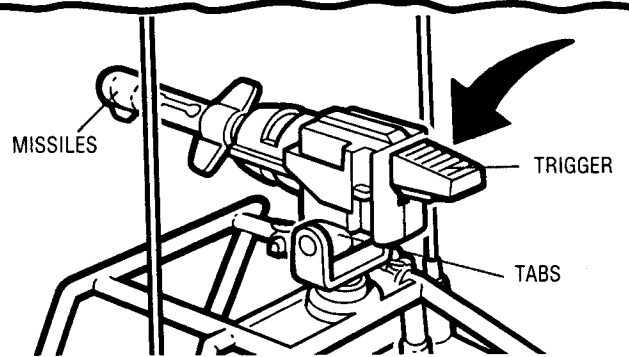
8. With lug nuts facing out, snap the four tires onto the four axle posts.

## VIDEOCAM CABLE/ANTENNA/LAUNCHER ASSEMBLY



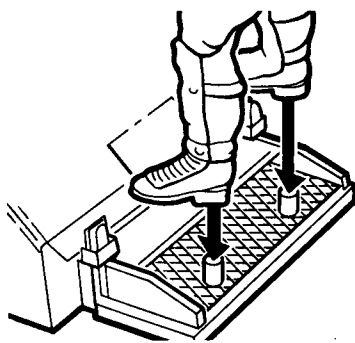
9. Fit one end of videocam cable over post on side of videocam. Fit other end over post on side of roll bar. Insert antennas into holes on sides of roll bar. Snap launcher mount onto roll bar. Snap missile launcher onto launcher mount.

## MISSILE STORAGE AND LAUNCHING



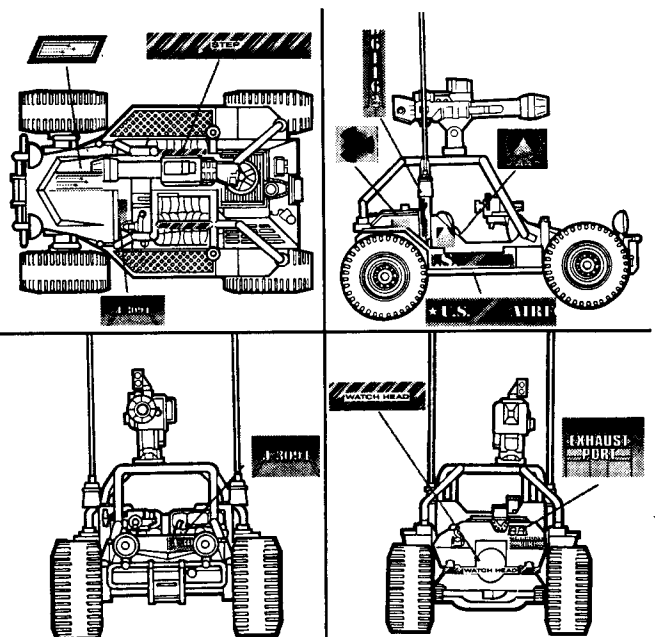
10. Fit missile into barrel and lock in place. To fire, press trigger. CAUTION: Do not aim weapon at eyes or face.

## STARGATE™ FIGURES



11. Stargate™ figures (sold separately) fit onto side foot pegs and rear bumper foot pegs as shown.

## PEEL & APPLY LABEL AS SHOWN



Product and colors may vary. Approximate size of vehicle is 9" L x 3" W x 7" H.

STARGATE™ TM & © 1994 Le Studio Canal+ (U.S.). All Rights Reserved. TM designates a trademark of Le Studio Canal+ (U.S.). Distributed by Hasbro, Inc., Pawtucket, RI 02862 USA. All Rights Reserved. Instructions: ©1994 Hasbro, Inc. All Rights Reserved. ©denotes Reg. U.S. Pat. & TM Office. **MADE IN USA.** 89022 P/N 44956500