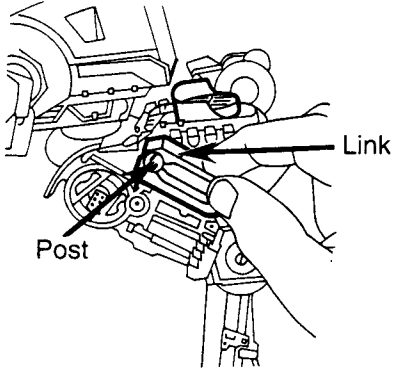
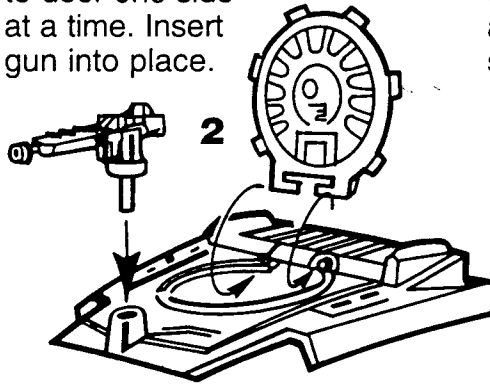




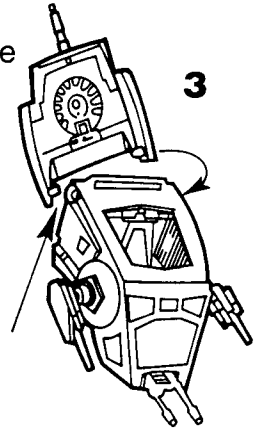
- 1.** Slide leg link(s) over post(s) as shown.



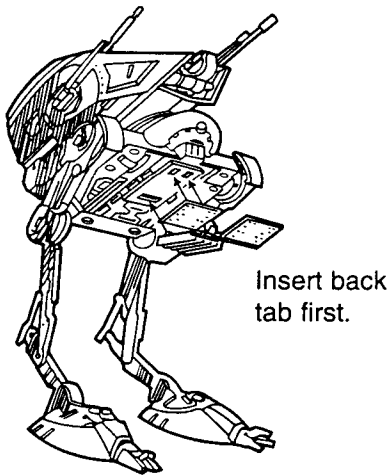
- 2.** Attach hatch lid to door one side at a time. Insert gun into place.



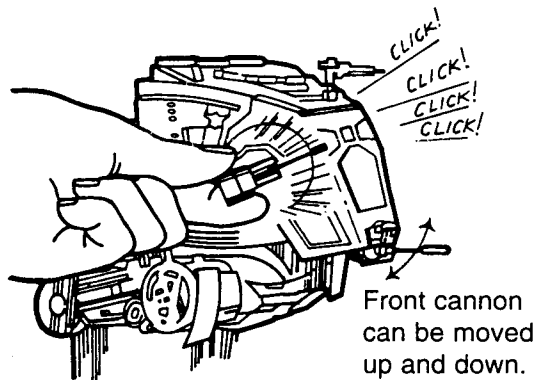
- 3.** Then attach door one side at a time as shown.



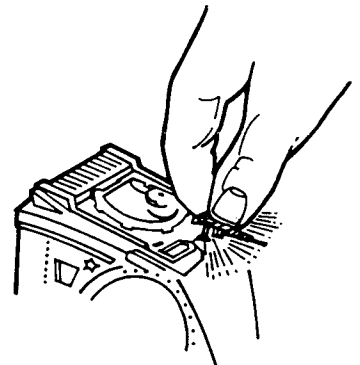
- 4.** Breast plate snaps into place.



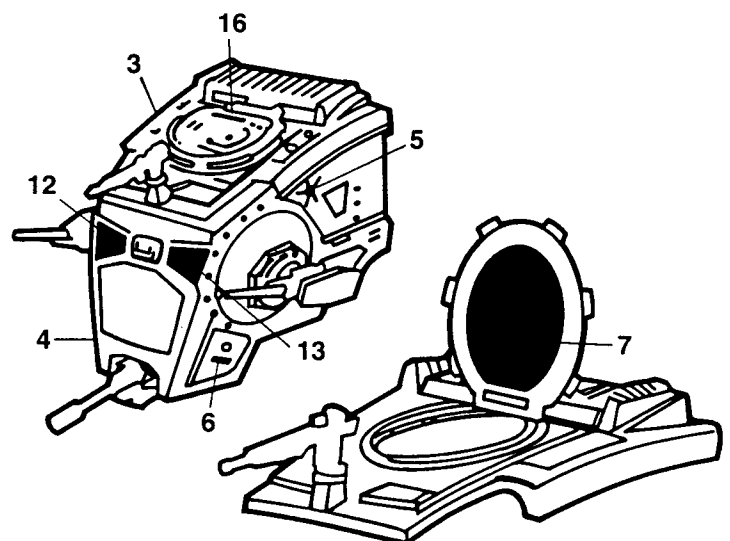
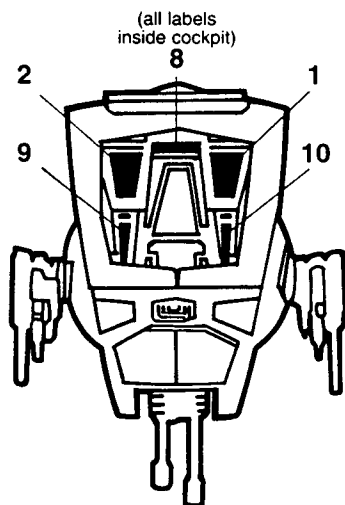
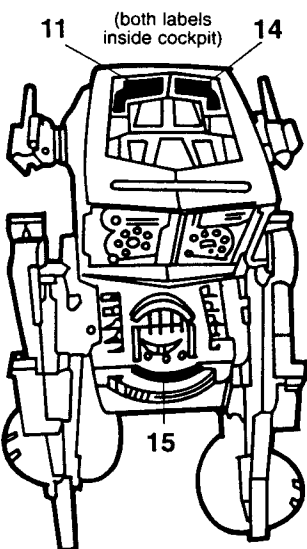
- 5.** Side cannons click as they are moved.



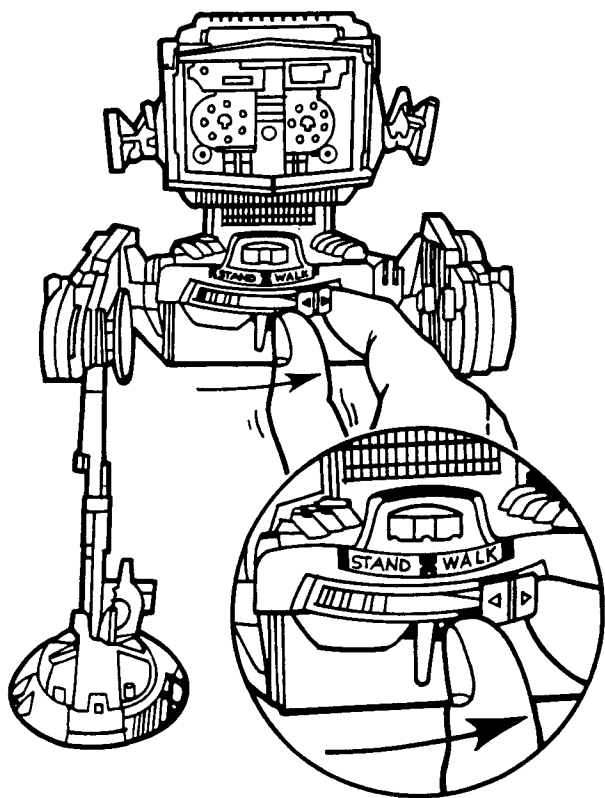
- 6.** Top gun can be rotated from side to side.



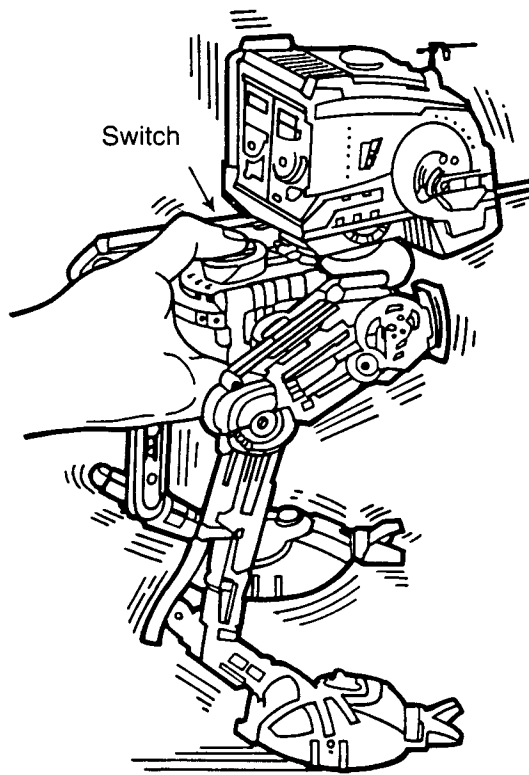
- 7.** Apply labels using the numbers on the label sheet and these illustrations as a guide.



- 8.** The vehicle comes with its legs "locked." Move the switch to the **right** to prepare the vehicle for "walking."

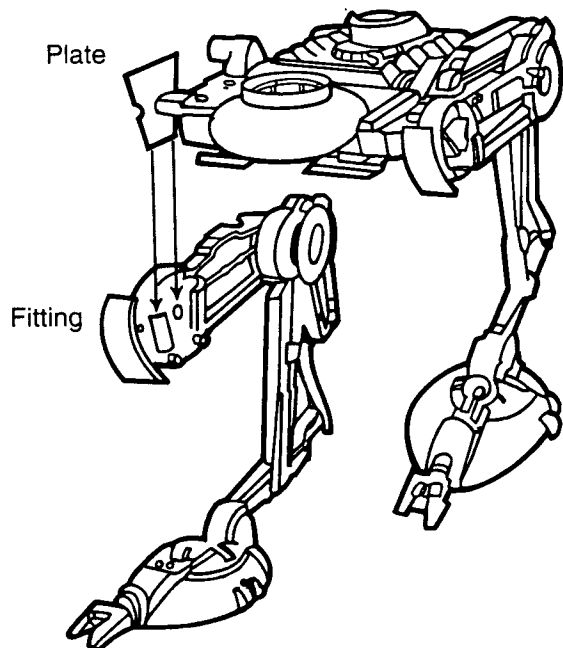


- 9.** Press button up and down to make the legs move up and down as though it is walking. Return the switch to the **left** when you want to "lock" the legs.



- 10.** If your scout walker's legs become detached: Legs assemble following these easy steps.

STEP 1: Slide plate into fitting.



STEP 2: Make sure round hole in the link is placed over post.

