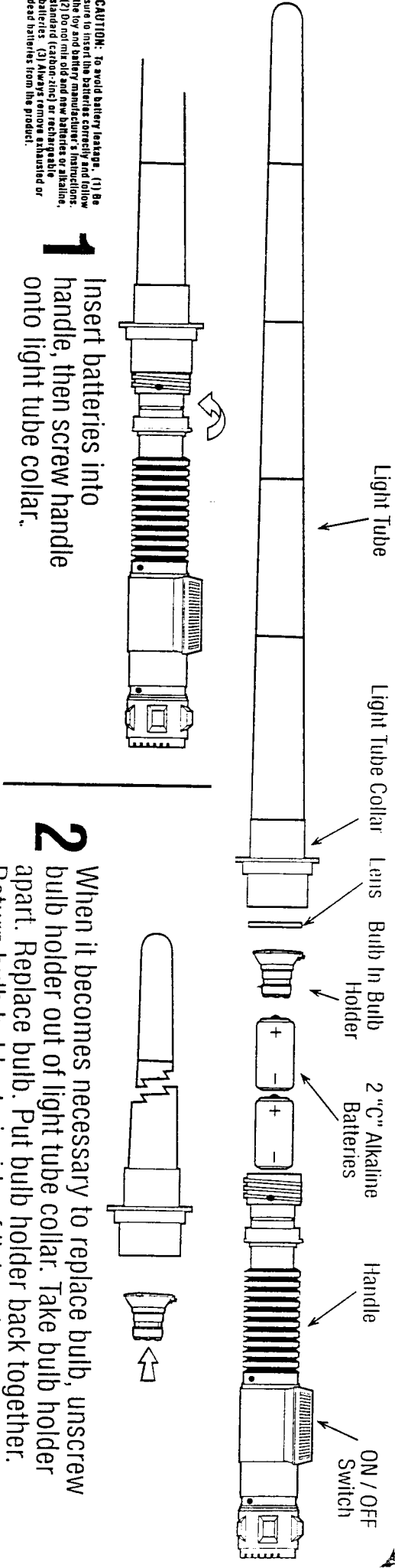


69795 Light Saber Instructions - located on the box - no slip sheet



CAUTION: To avoid battery leakage, (1) Be sure to insert the batteries correctly and follow the toy and battery manufacturer's instructions. (2) Do not mix old and new batteries or alkaline standard (carbon-zinc) or rechargeable or other batteries from the product.

1 Insert batteries into handle, then screw handle onto light tube collar.

2 When it becomes necessary to replace bulb, unscrew bulb holder out of light tube collar. Take bulb holder apart. Replace bulb. Put bulb holder back together. Return bulb holder to inside of light tube collar.