

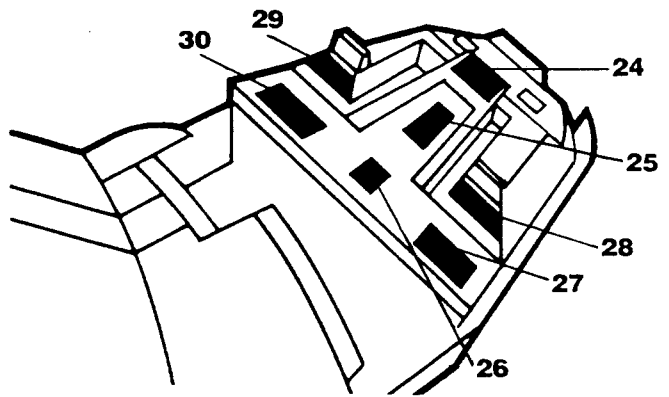
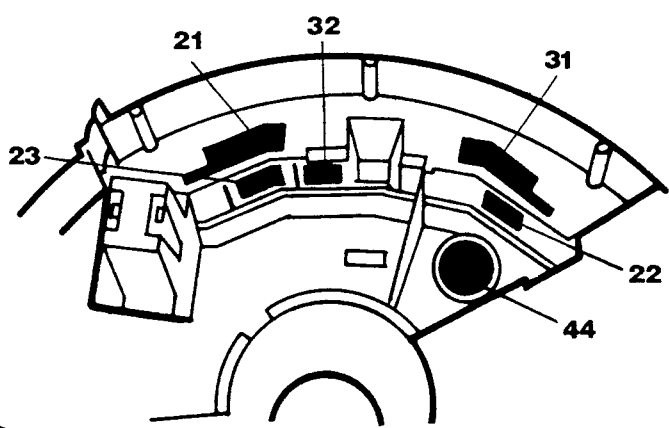
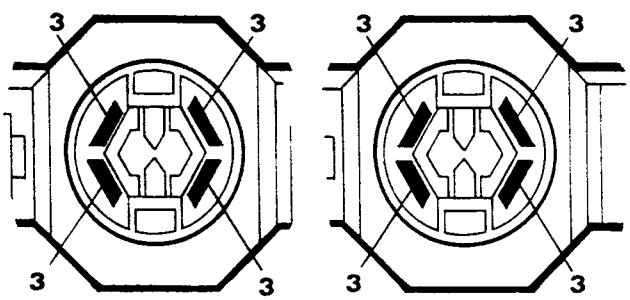
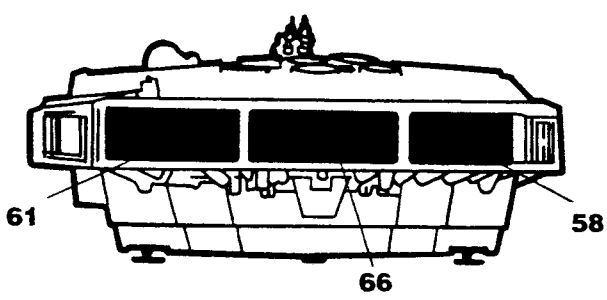
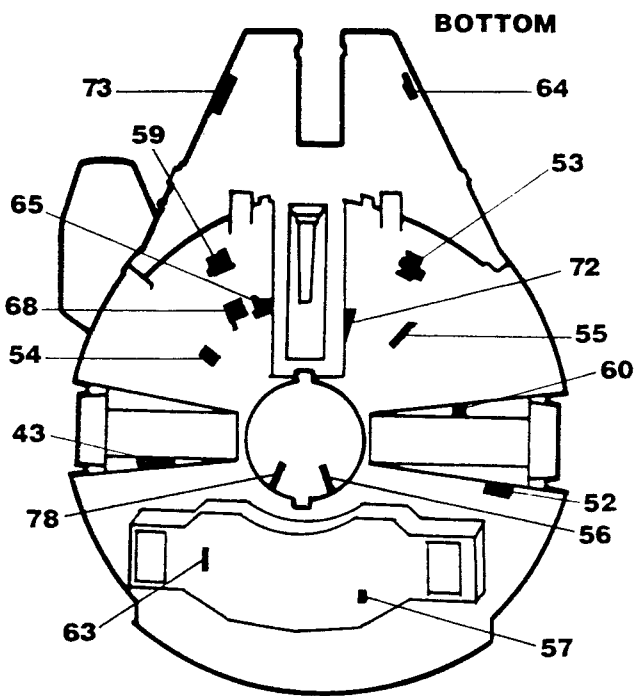
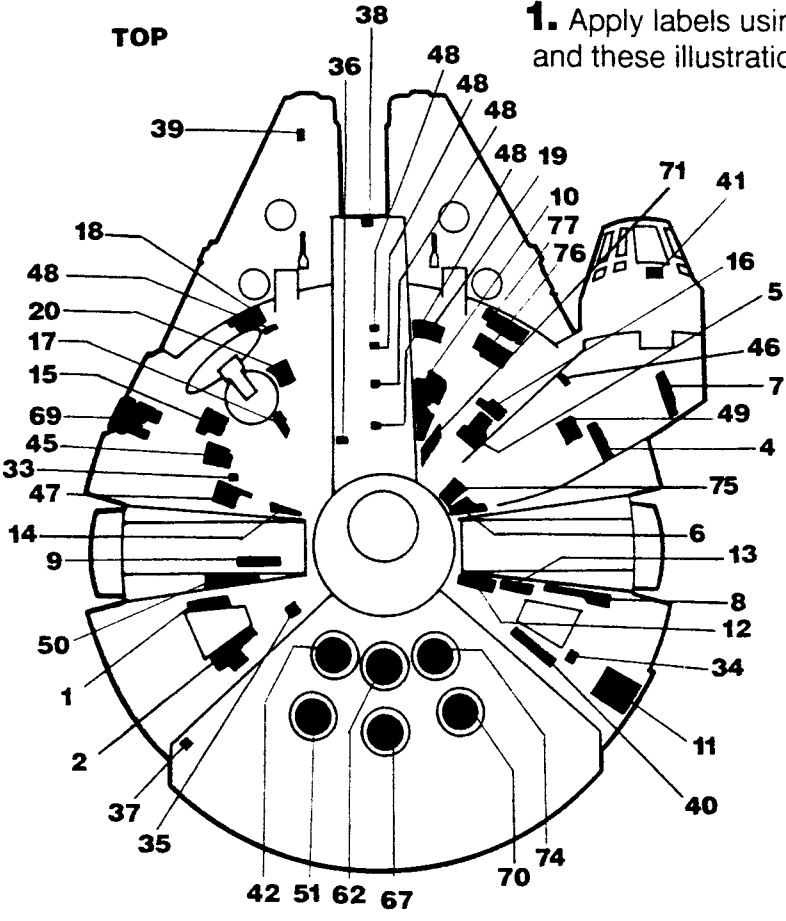
STAR WARS™

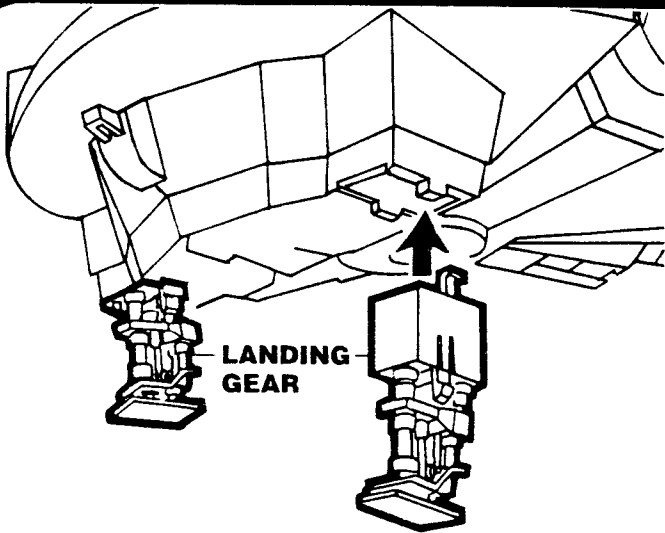
ELECTRONIC™ MILLENNIUM FALCON™ PLAYSET/ VEHICLE



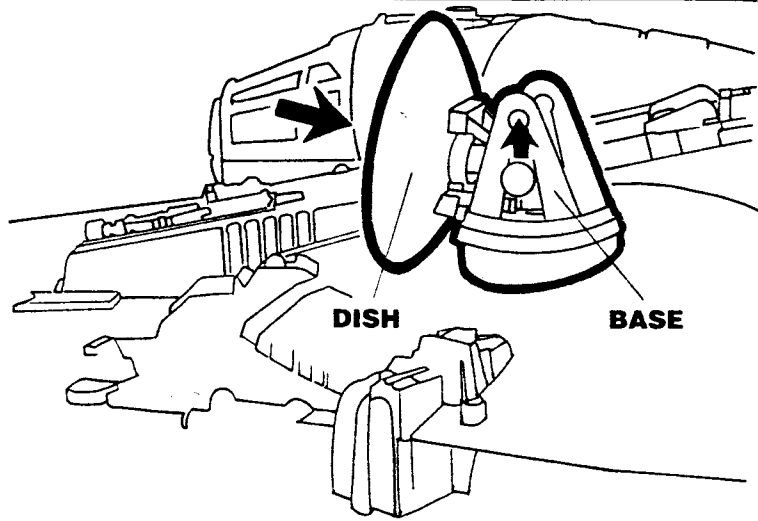
AGES 4 AND UP

1. Apply labels using the numbers on the label sheet and these illustrations as a guide.

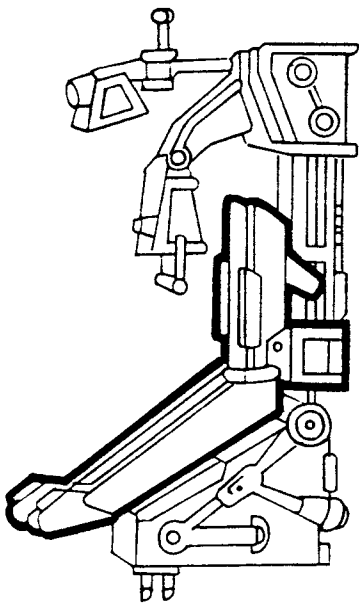




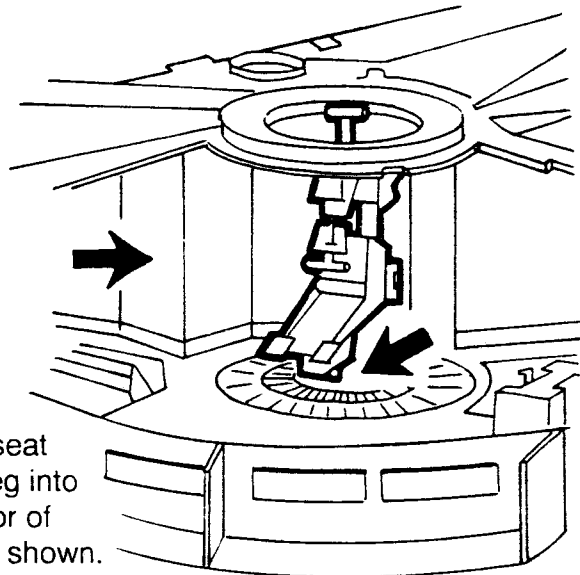
2. Insert the two rear landing gear into place on the underside of the vehicle.



3. A Assemble the radar dish to the base as shown.

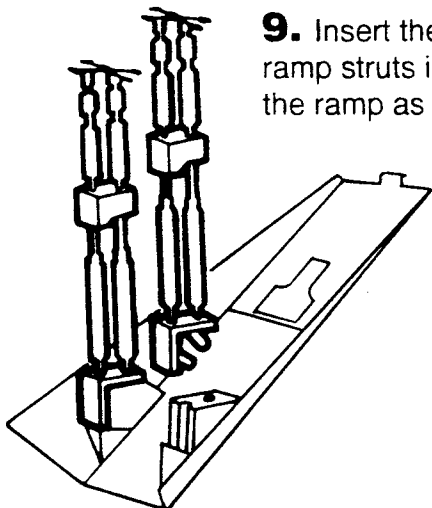


5. Snap seat onto seat support as shown.

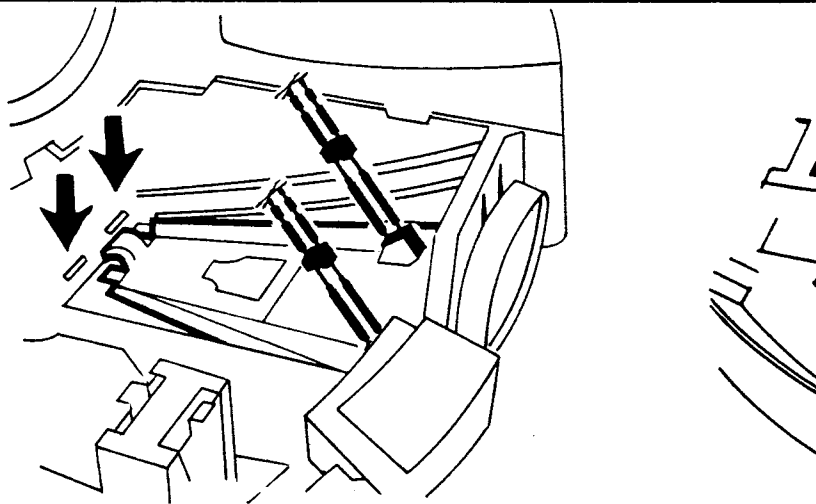


6. Insert seat support peg into hole in floor of vehicle as shown.

7. The
over the
of the s
into the
opening
of the v

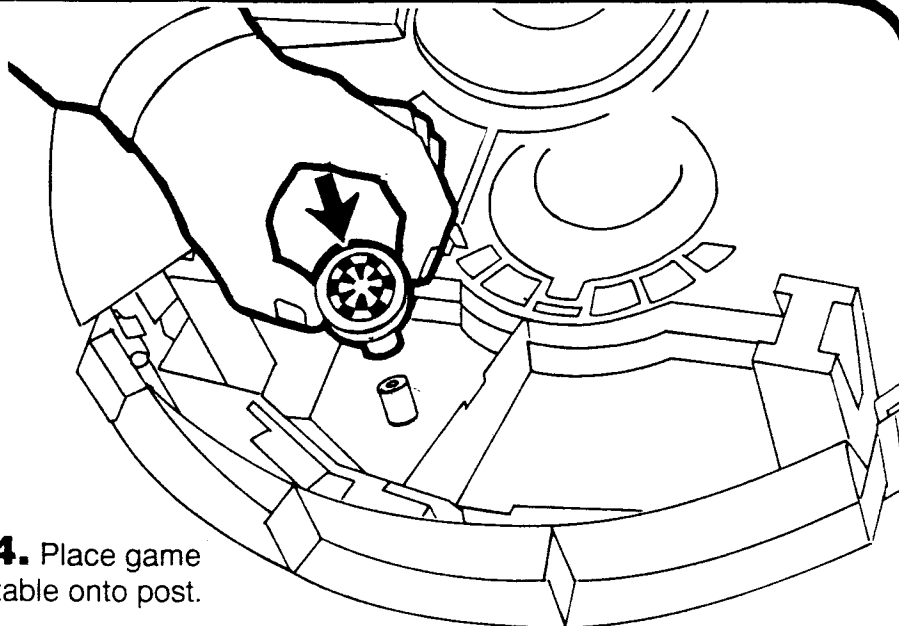
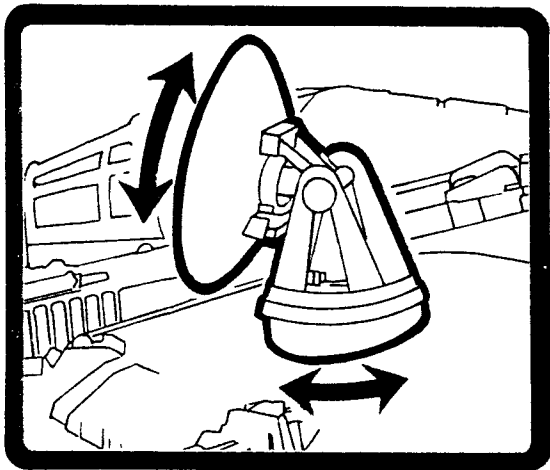


9. Insert the ramp struts into the ramp as shown.

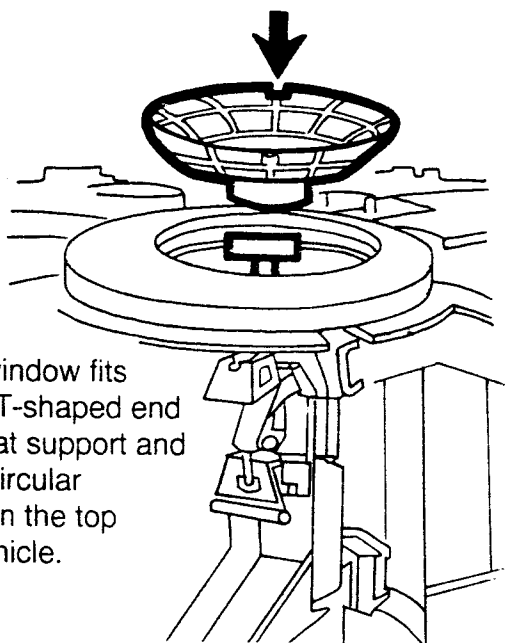


10. Snap the ramp onto the vehicle floor as shown. The ramp can be manually raised or lowered.

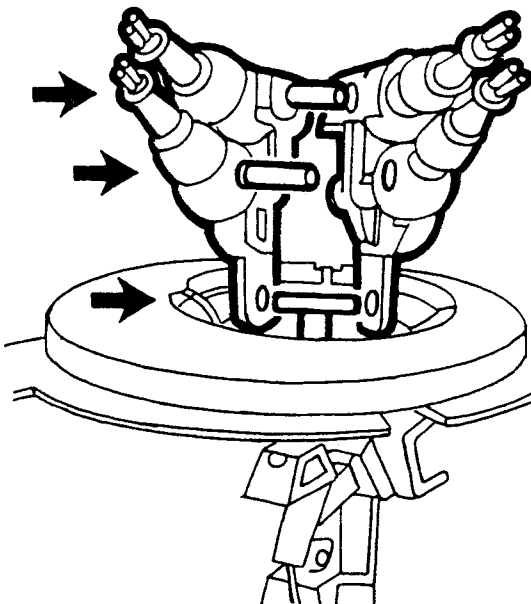
3. B The radar dish can be rotated back and forth and turned 360°.



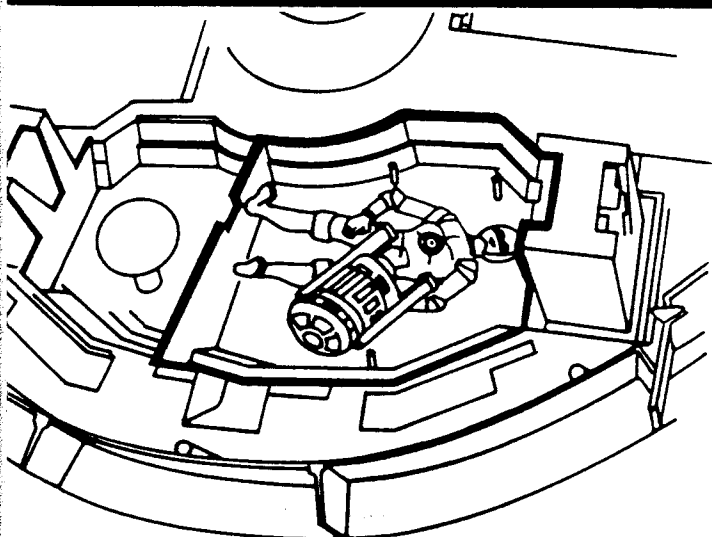
4. Place game table onto post.



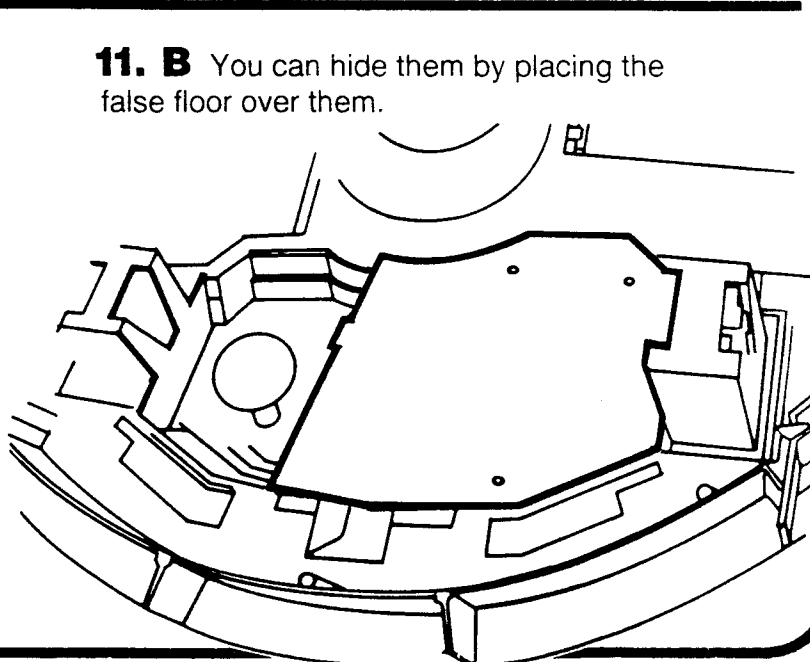
Window fits onto T-shaped end of seat support and circular opening in the top of vehicle.



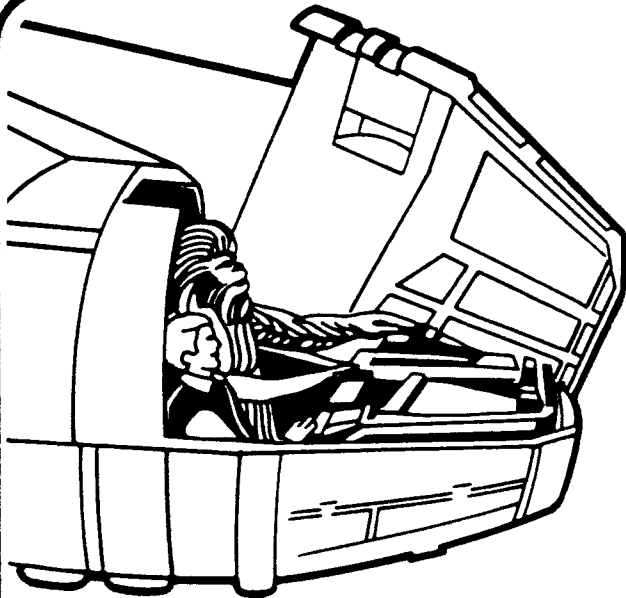
8. Press the two cannon halves together around the T-shaped end of the seat support. This will hold the seat support, window and cannon in place. When you turn the cannon, you turn the seat and hear a clicking sound.



11. A Place a figure or two in the space shown.

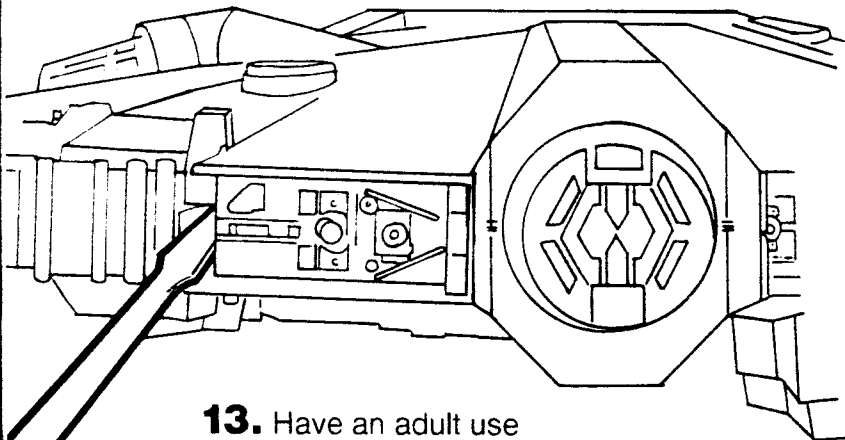
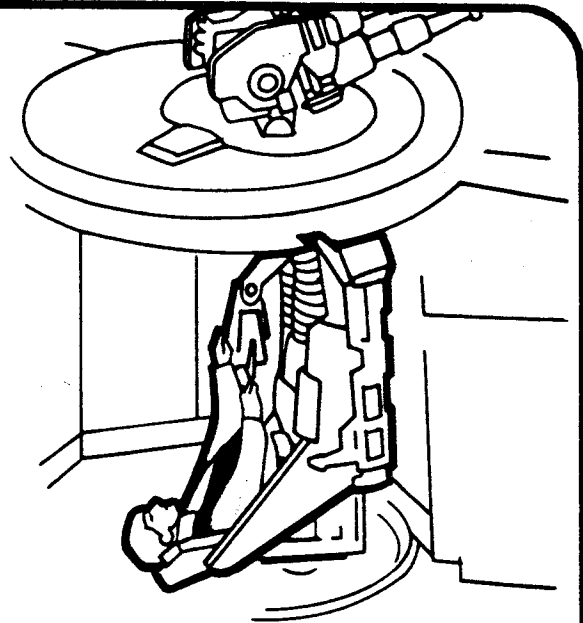


11. B You can hide them by placing the false floor over them.

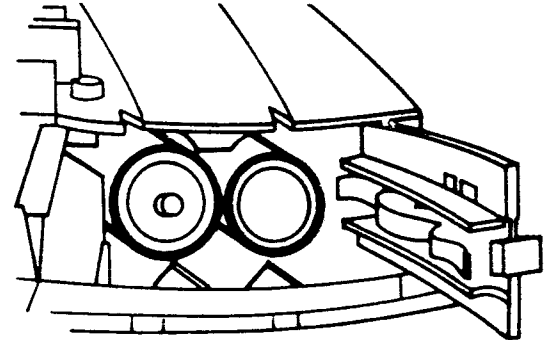


12. A&B

Figures can also be placed in the cannon control seat and in the main cockpit which has a canopy that can be opened or closed.

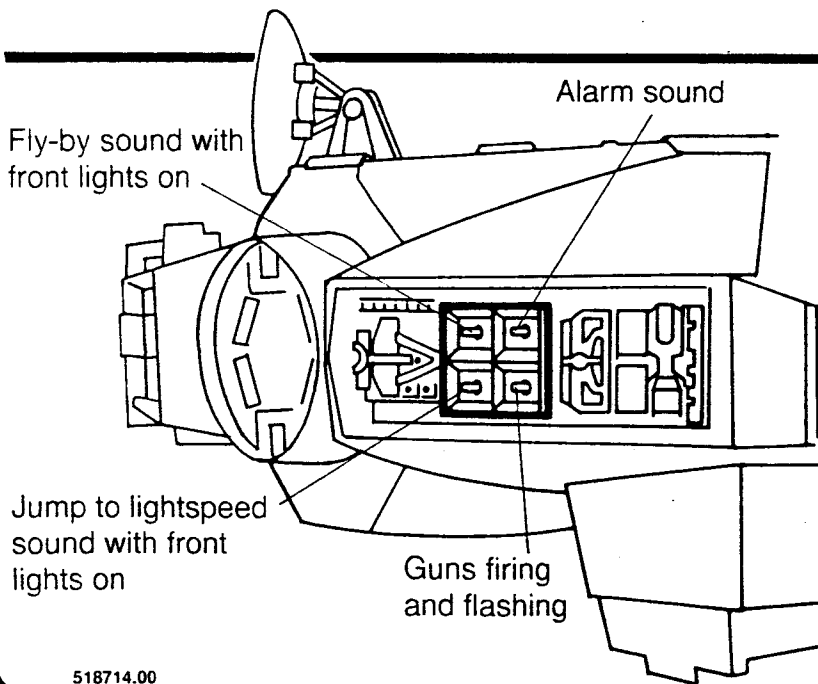


13. Have an adult use a screwdriver to pry open the battery compartment door.



14. Install two "C" alkaline batteries as shown. Close the compartment door.

CAUTION: To avoid battery leakage, (1) Be sure to insert the batteries correctly and follow the toy and battery manufacturer's instructions. (2) Do not mix old and new batteries or alkaline, standard (carbon-zinc) or rechargeable batteries. (3) Always remove exhausted or dead batteries from the product.



15. Press the control buttons to see the lights and hear the electronic sounds.