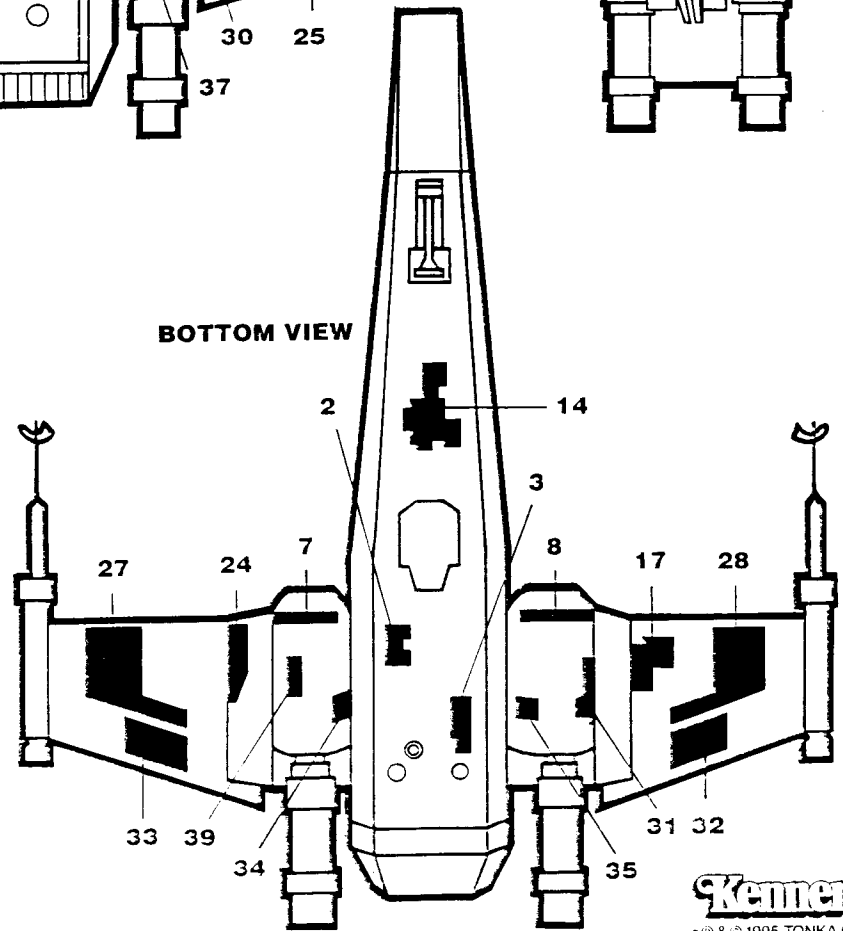
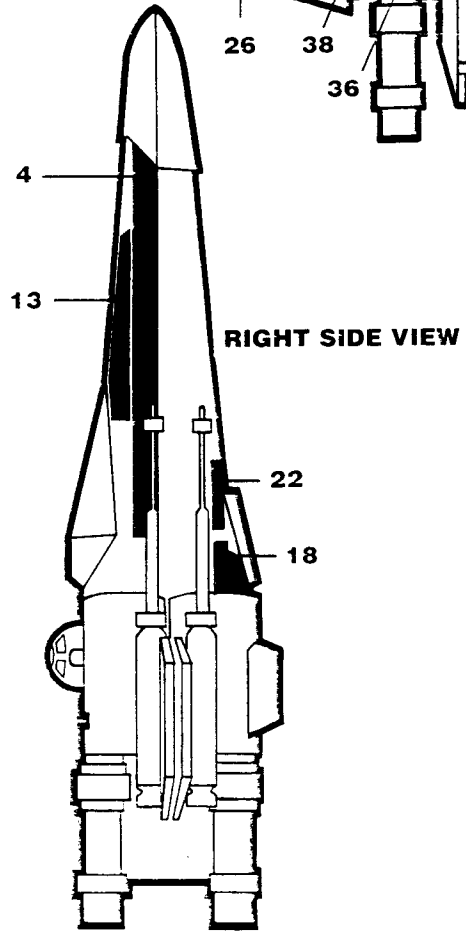
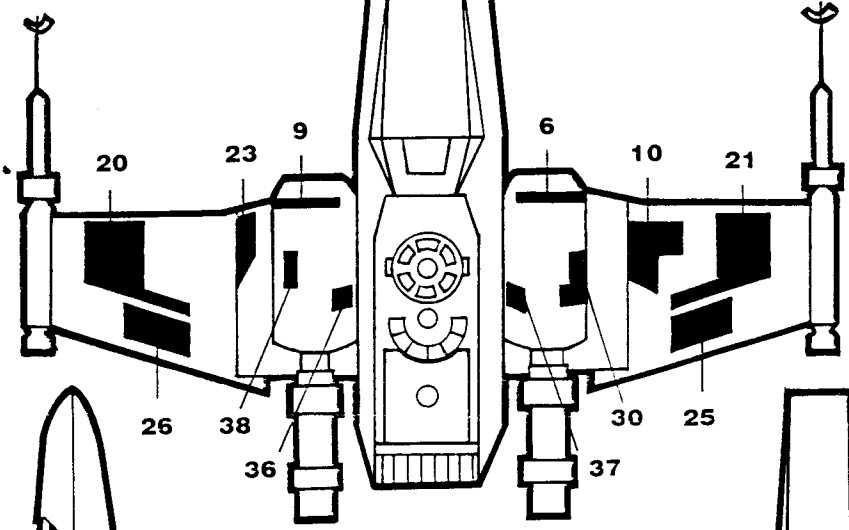
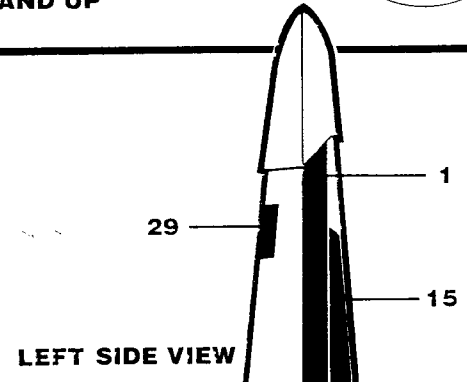
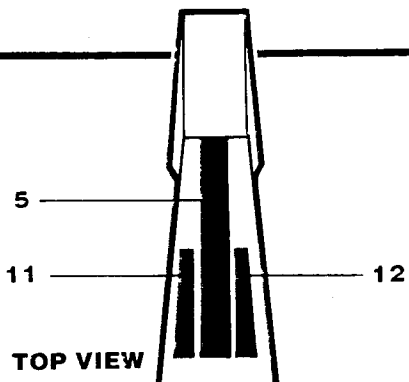
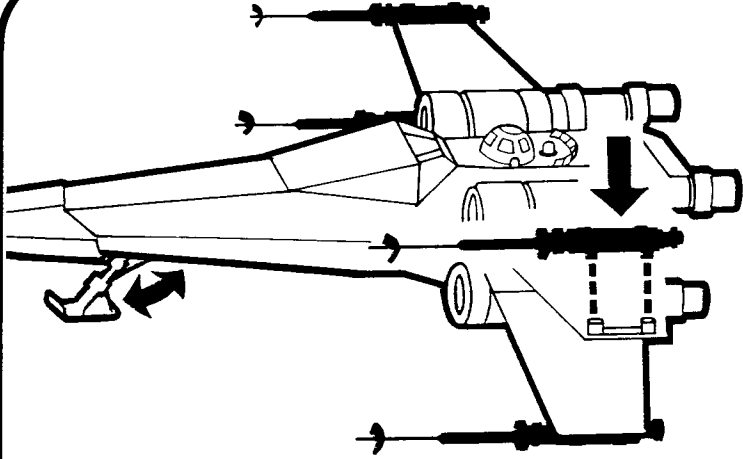




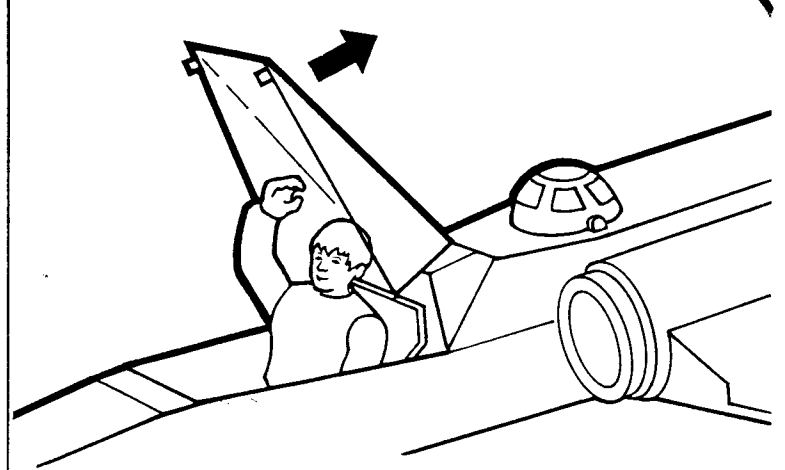
AGES 4 AND UP

1. Apply labels using the numbers on the label sheet and these illustrations as a guide.

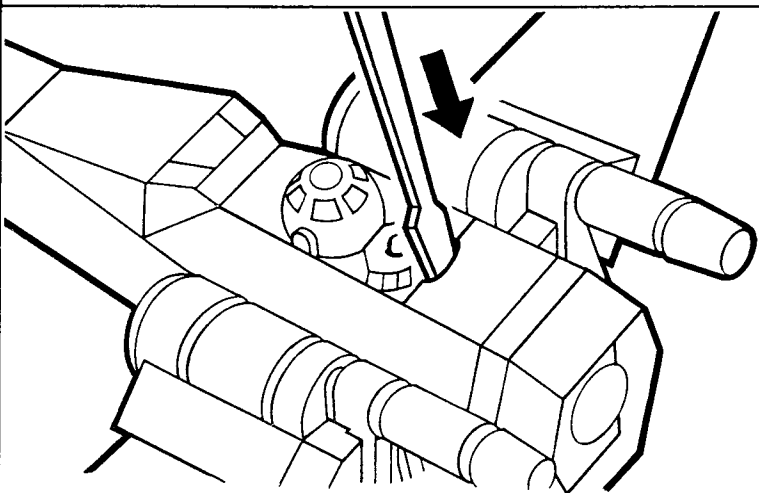




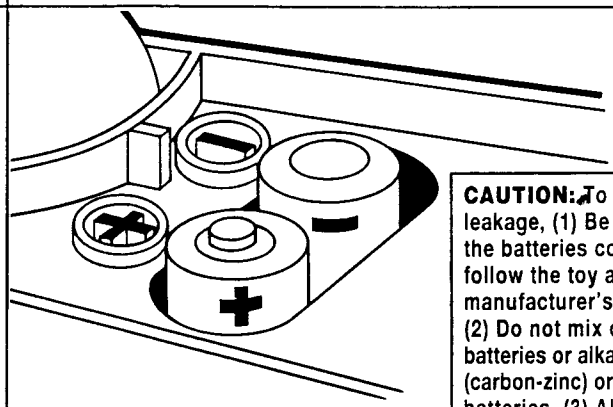
2. Press "laser" cannons onto the ends of all four wings as shown. Pull landing gear down for landing. Push it up for flight.



3. Squeeze and lift up cockpit hatch to open. Cockpit will hold most STAR WARS figures.

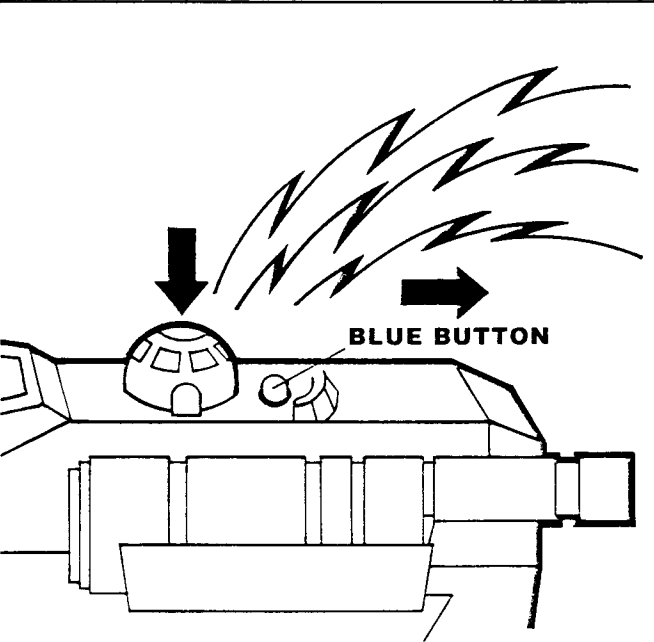


4. Have an adult use a screwdriver to pry open the battery compartment door.

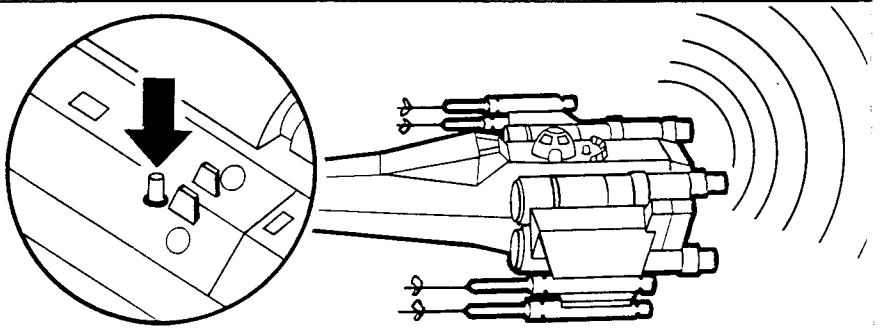


**CAUTION:** To avoid battery leakage, (1) Be sure to insert the batteries correctly and follow the toy and battery manufacturer's instructions. (2) Do not mix old and new batteries or alkaline, standard (carbon-zinc) or rechargeable batteries. (3) Always remove exhausted or dead batteries from the product.

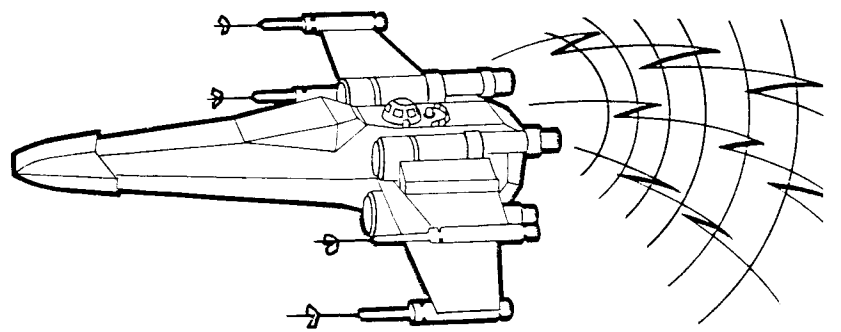
5. Install two "AA" alkaline batteries as shown. Close compartment door.



6. Press on the figure of R2-D2™ to open the wings and hear a "fly-by" engine sound. Push the blue button backwards to close the wings.



7A. Press sound button on bottom of vehicle with the wings closed to hear "laser" firing sound effects.



7B. Press sound button with the wings open to hear "laser" firing sound effects followed by a "fly-by" engine sound.