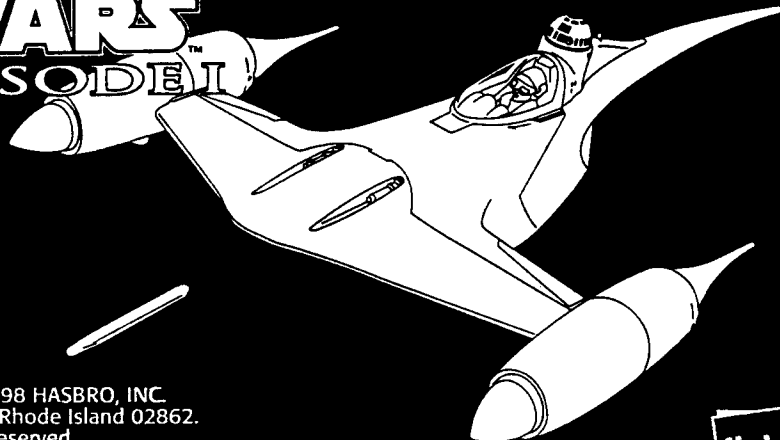


AGES 4 & UP

STAR WARS EPISODE I



*TM & © 1998 HASBRO, INC.
Pawtucket, Rhode Island 02862.
All Rights Reserved.

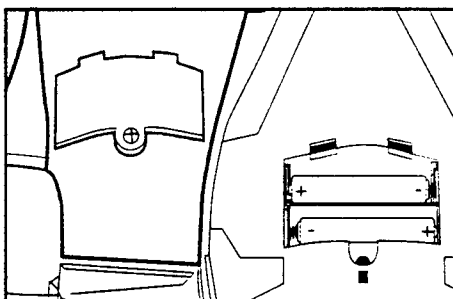
© Lucasfilm Ltd. & TM where noted.
All rights reserved.

MADE IN CHINA



Battery

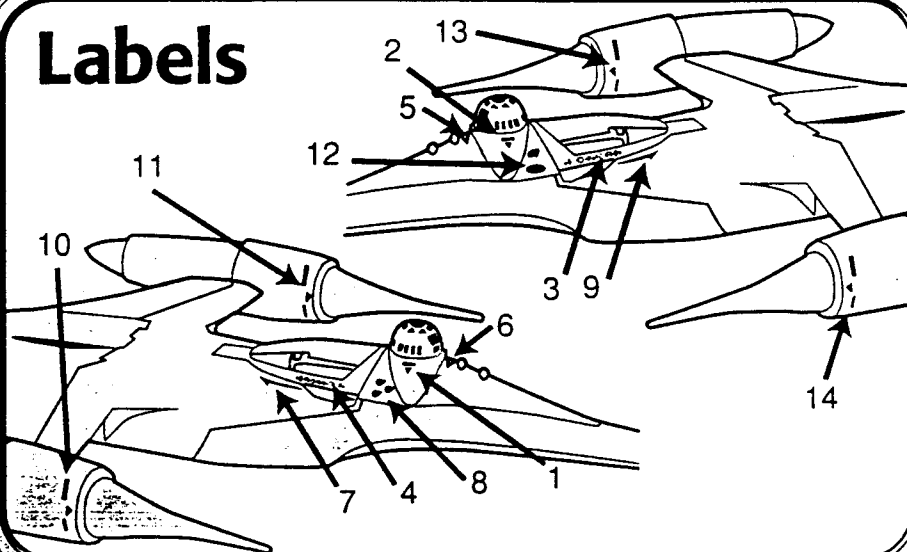
CAUTION: To avoid battery leakage,
1. Be sure to insert the batteries correctly
and always follow the toy and battery
manufacturers' instructions. 2. Do not mix
old and new batteries or alkaline, standard
(carbon-zinc) or rechargeable batteries.
3. Always remove exhausted or dead
batteries from the product.



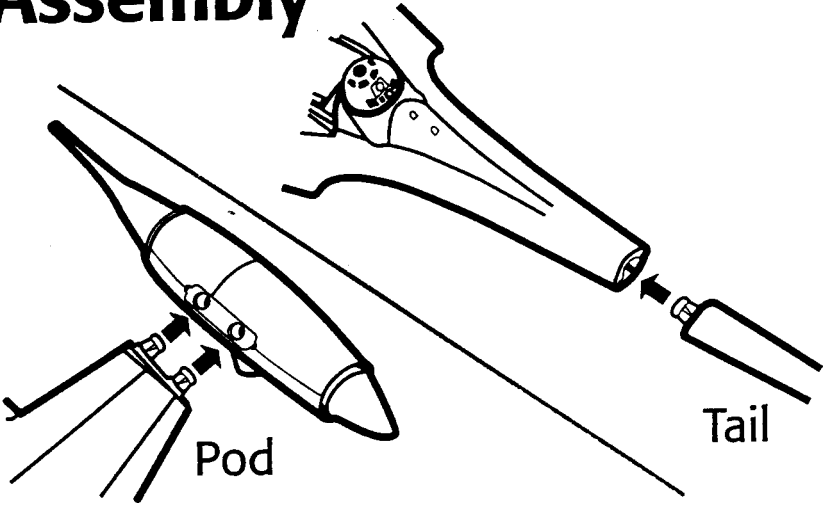
This device complies with Part 15 of the FCC rules.

Operation is subject to the following two conditions: (1) This device may not cause harmful interference. (2) This device must accept any interference received, including any interference that may cause undesired operation. This equipment has been tested and found to comply with the limits for a Class B digital device, pursuant to Part 15 of the FCC rules. These limits are designed to provide reasonable protection against harmful interference in a residential installation. This equipment generates, uses and can radiate radio frequency energy, and, if not installed and used in accordance with the instructions, may cause harmful interference to radio or television communications. However, there is no guarantee that interference will not occur in a particular installation. If this equipment does cause harmful interference to radio or television reception, which can be determined by turning the equipment off and on, the user is encouraged to try to correct the interference by one or more of the following measures: (1) Reorient or relocate the receiving antenna. (2) Increase the separation between the equipment and receiver. (3) Consult the dealer or an experienced radio/TV technician for help.

Labels



Assembly



Operation

