

STAR WARS™ EPISODE I

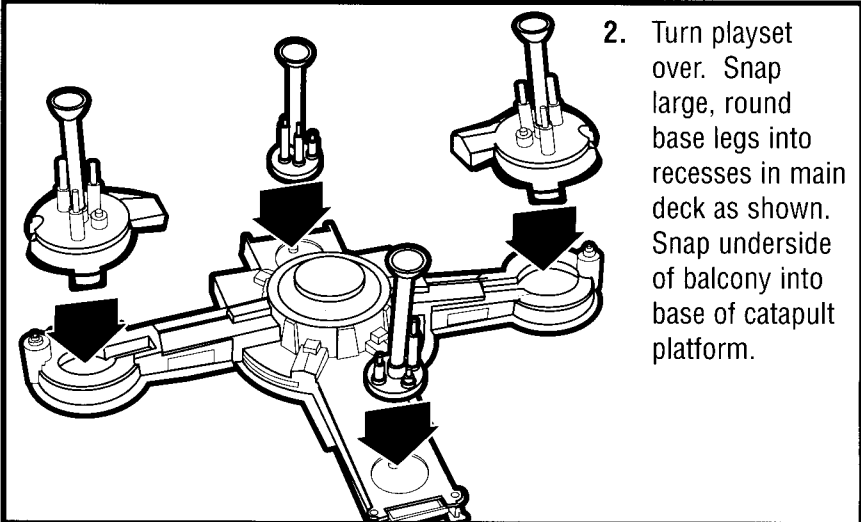
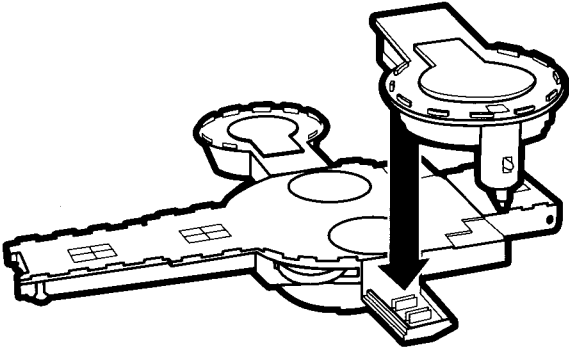
THEED GENERATOR COMPLEX™

Ages 4 & Up

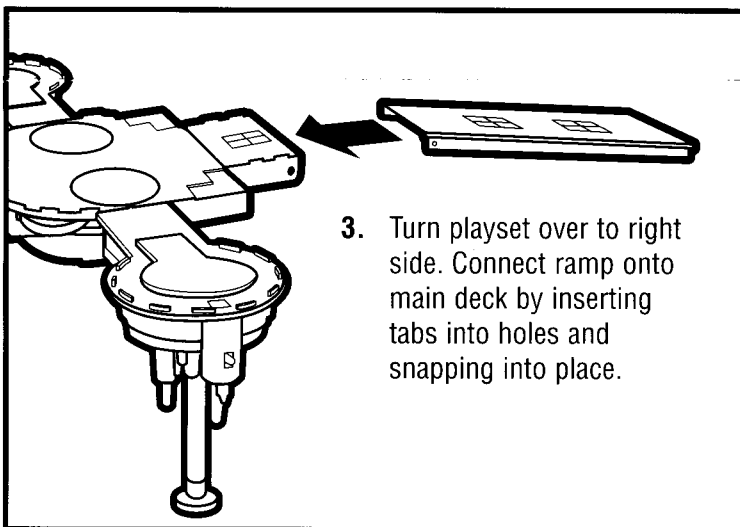
26220

Includes main deck, column archway, 2 ramps, console pieces, 2 firing projectiles, 2 balconies, 2 spinning figure stands, and Battle Droid® figure. Other figures sold separately.

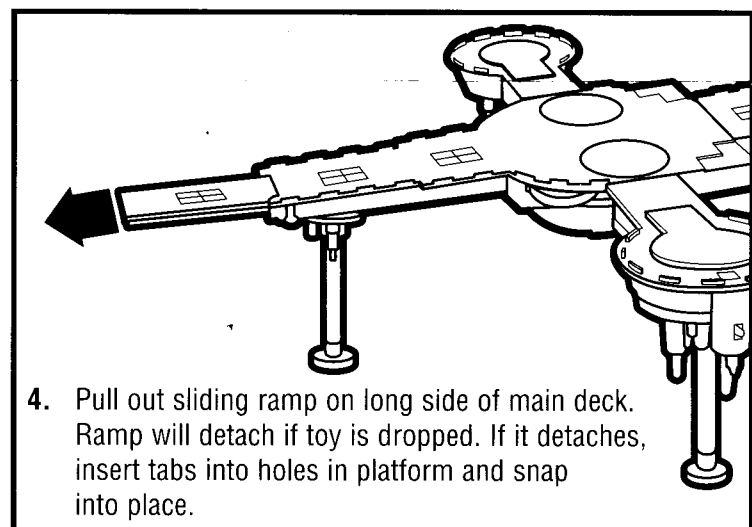
1. With catapult platforms facing upward, snap balconies onto each side of main deck as shown.



2. Turn playset over. Snap large, round base legs into recesses in main deck as shown. Snap underside of balcony into base of catapult platform.

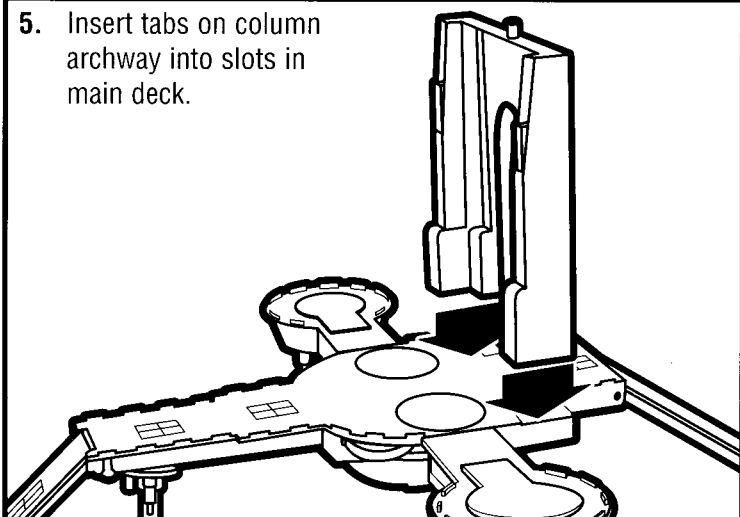


3. Turn playset over to right side. Connect ramp onto main deck by inserting tabs into holes and snapping into place.

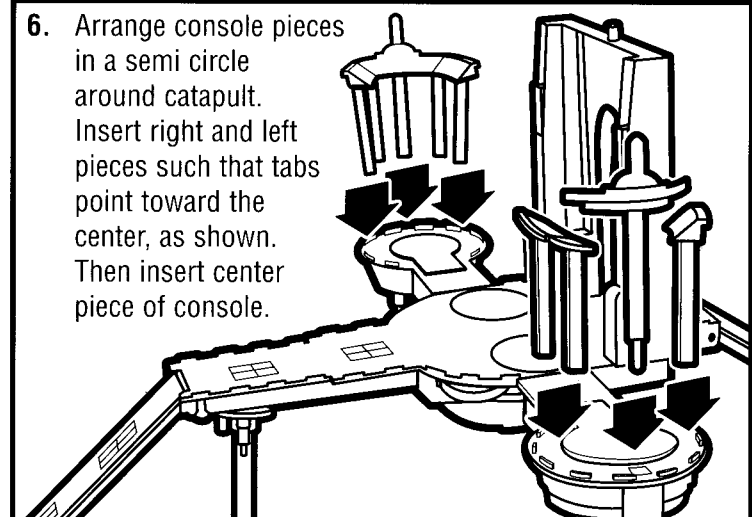


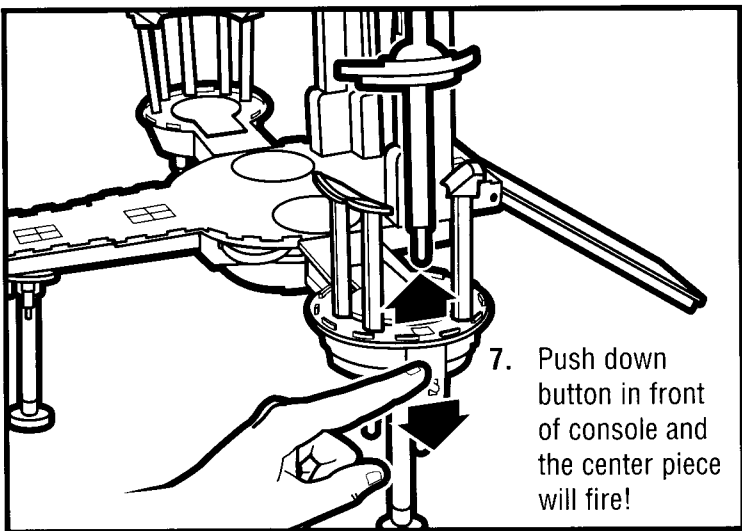
4. Pull out sliding ramp on long side of main deck. Ramp will detach if toy is dropped. If it detaches, insert tabs into holes in platform and snap into place.

5. Insert tabs on column archway into slots in main deck.

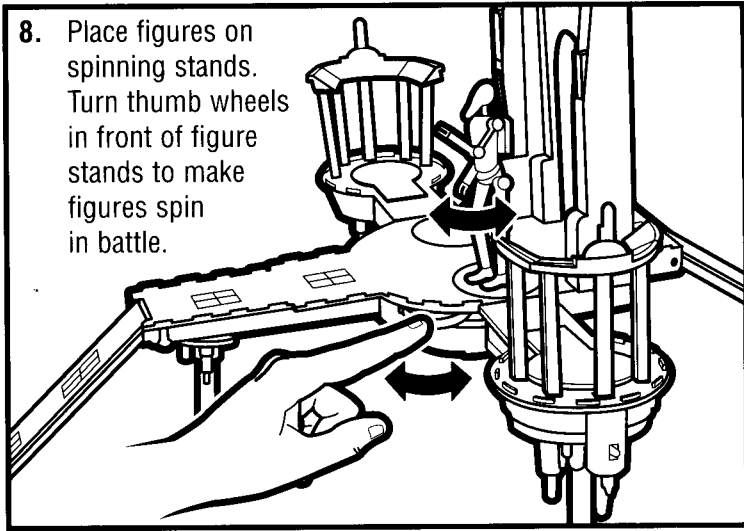


6. Arrange console pieces in a semi circle around catapult. Insert right and left pieces such that tabs point toward the center, as shown. Then insert center piece of console.

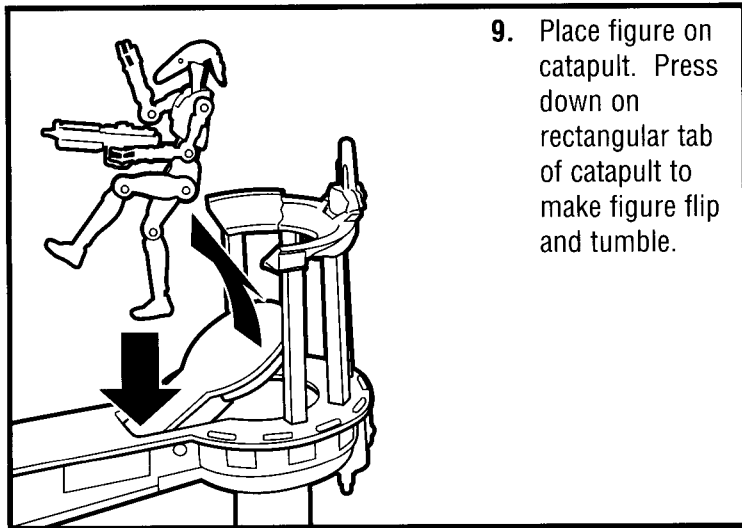




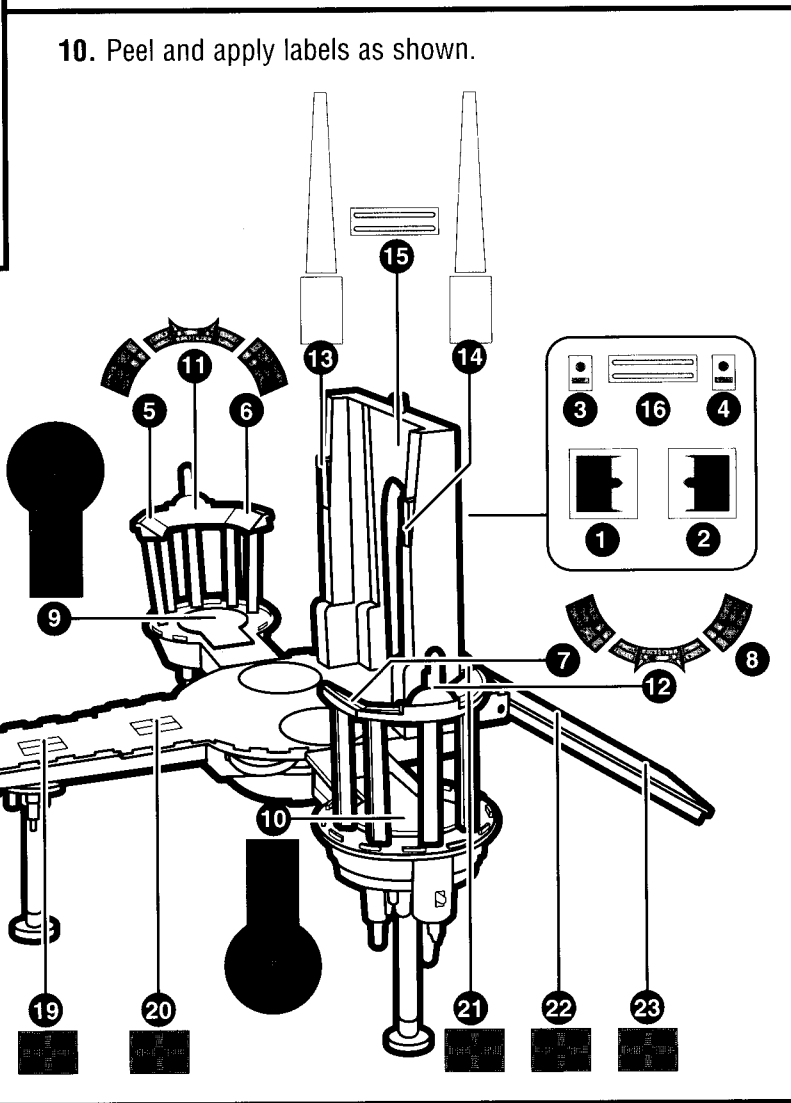
7. Push down button in front of console and the center piece will fire!



8. Place figures on spinning stands. Turn thumb wheels in front of figure stands to make figures spin in battle.



9. Place figure on catapult. Press down on rectangular tab of catapult to make figure flip and tumble.



10. Peel and apply labels as shown.

11. Connect ramps to other *Star Wars* playsets for more exciting action adventures.



© Lucasfilm Ltd. & TM. All rights reserved.
 Used under authorization.
 Distributed in the USA by Hasbro, Inc.,
 Pawtucket, RI 02862 USA
 *TM & © 1999 Hasbro, Inc.
 All Rights Reserved.
MADE IN CHINA
 TM and © denote US trademarks.