

CAPCOM
STREET FIGHTER™
 OFFICIAL MOVIE FIGHTER

**DEVASTATOR™
 INSTRUCTIONS**

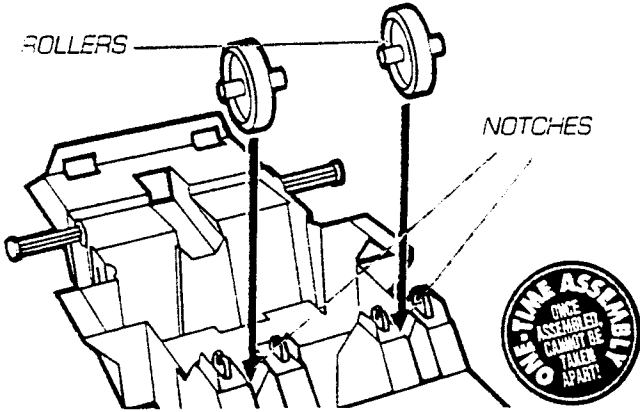
84002

Ages: 5 & Up
 Remove all pieces from plastic frames.
 If you have difficulty use safety scissors.

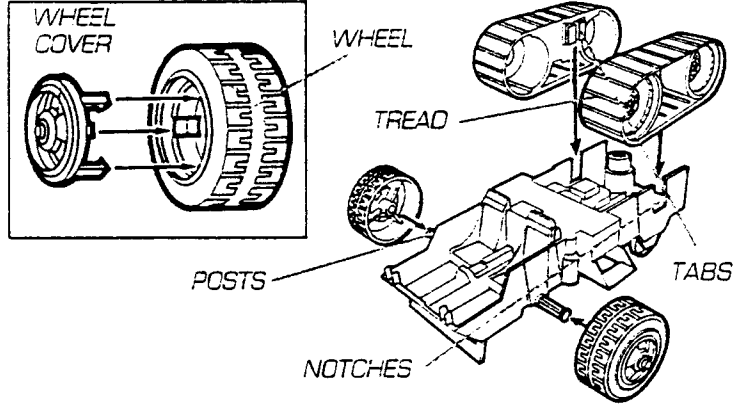
WARNING
 Contains Small Parts Which Pose a
 Choke Hazard For Children Under the
 Age of Three.

CAUTION: Do not point weapon at eyes or face.

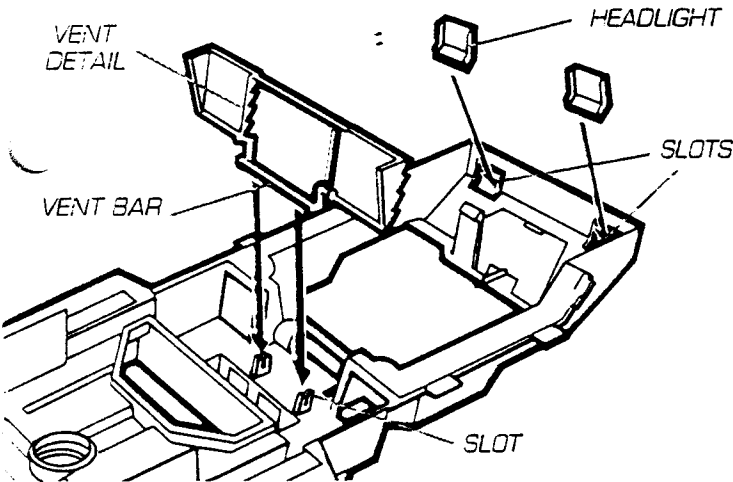
CONTAINS: Vehicle top and bottom, figure, 4 missiles, launcher, missile rack, missile rack support, canopy, vent bar, 2 headlights, windshield wiper, 2 rollers, 2 wheels, 2 wheel covers, 2 treads, steering wheel, engine cover, flood light and label sheet.



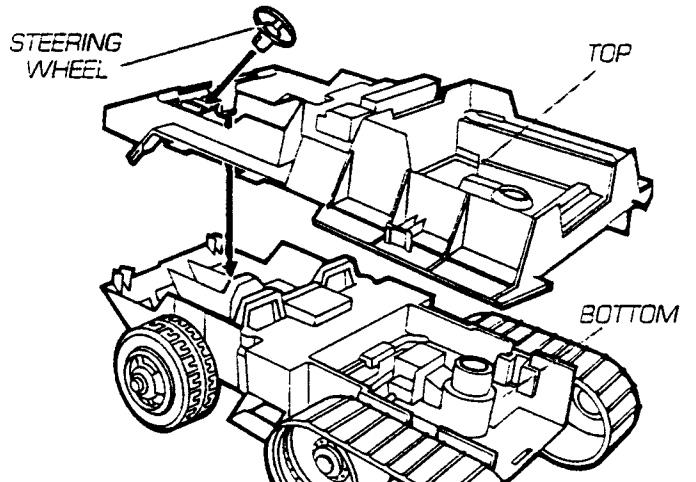
1. Turn vehicle bottom upside down. Snap rollers into notches as shown.



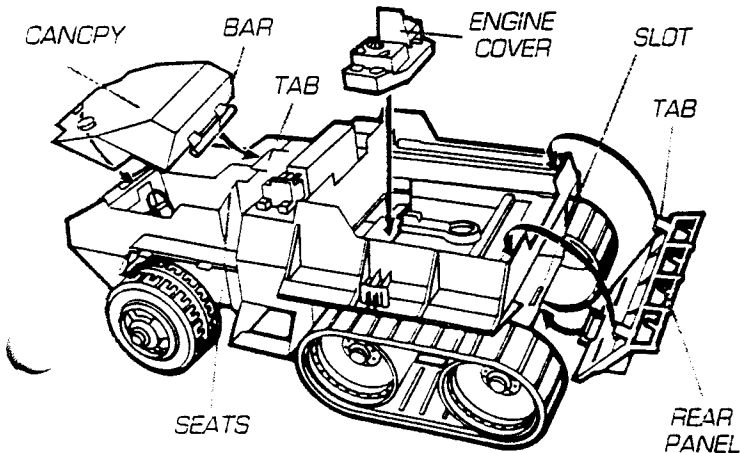
2. Snap wheel covers into front wheels (inset). Turn vehicle bottom right side up. Snap wheels over axle posts. Slide tabs on each tread into notches in side of vehicle as shown.



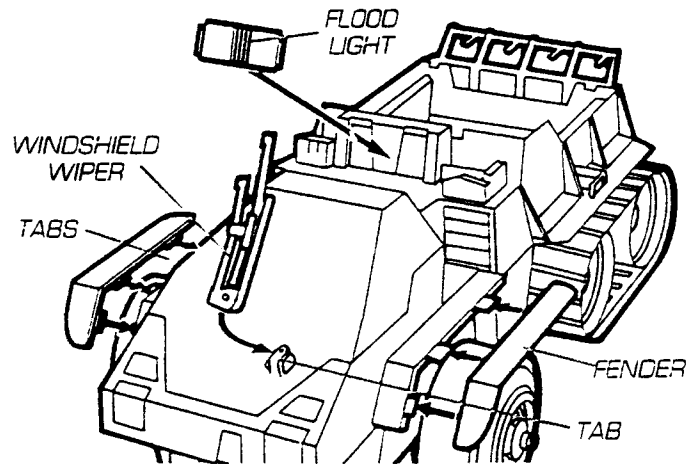
3. Turn vehicle top upside down. Snap vent bar into slots between ribs. Make sure detail on vents appears through openings. Slide top part of headlight through opening and snap bottom of headlight forward. Repeat with other headlight.



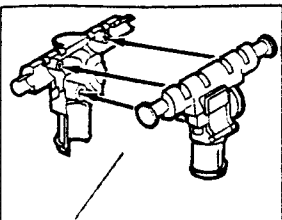
4. Turn vehicle top right side up and snap into vehicle bottom. Press steering wheel over middle post on dashboard.



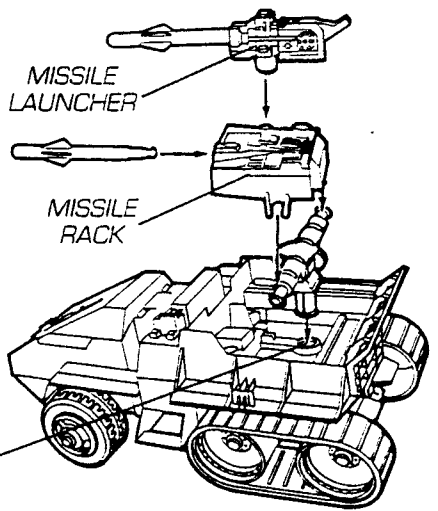
5. Insert bar on canopy under tab above seats. Close canopy. Place engine cover over engine. Hook tab on bottom of rear panel into vehicle slot, then swing up and snap tabs over vehicle as shown.



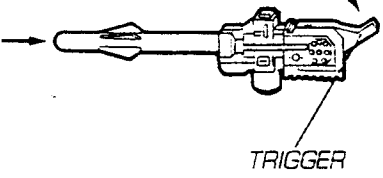
6. Insert windshield wiper under canopy tab as shown. Slide slots on fenders over tabs on sides of vehicle. Snap flood light into mount on vehicle top.



MISSILE RACK SUPPORT HALVES



7. Fit missile rack support halves together and insert into vehicle. Attach missile rack onto ends of missile rack support, then snap missile launcher into hole in missile rack. Missiles store in missile rack.

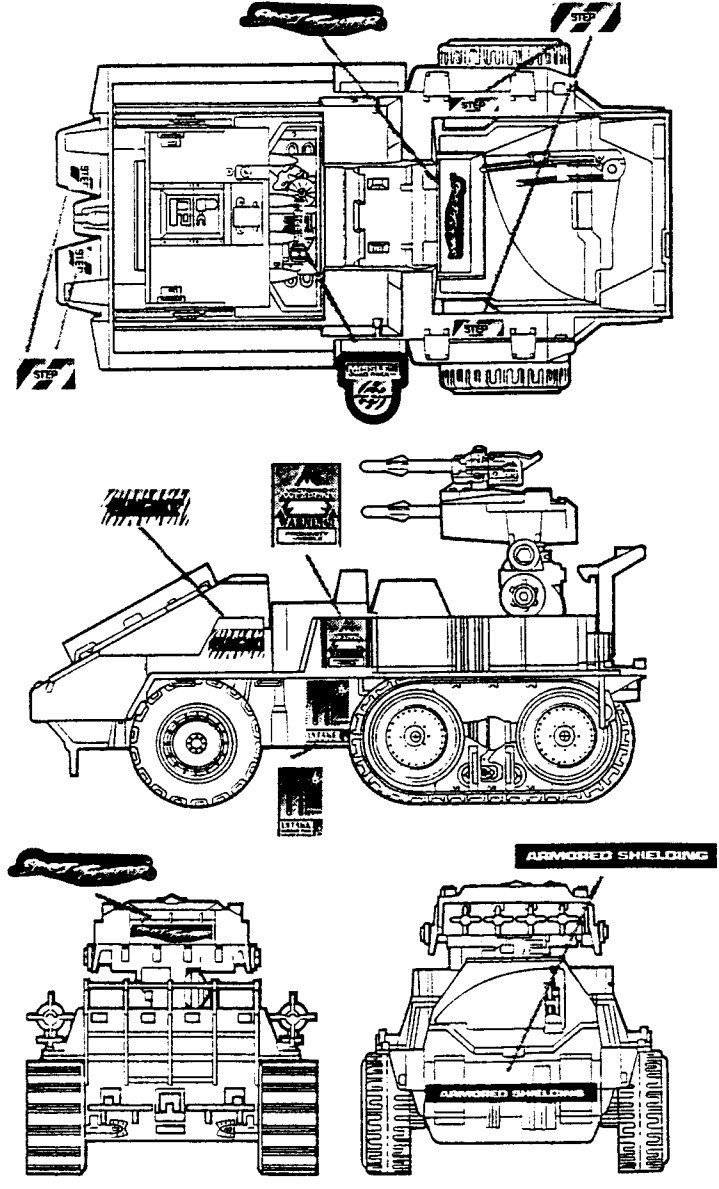


8. To shoot missiles, insert a missile into launcher barrel and lock in place. Press trigger to fire. **CAUTION: DO NOT AIM MISSILES AT EYES OR FACE.**

SECRET CAPCOM
 GAME PLAYING TIP FOR VIDEO GAME CHARACTER SAGA IT

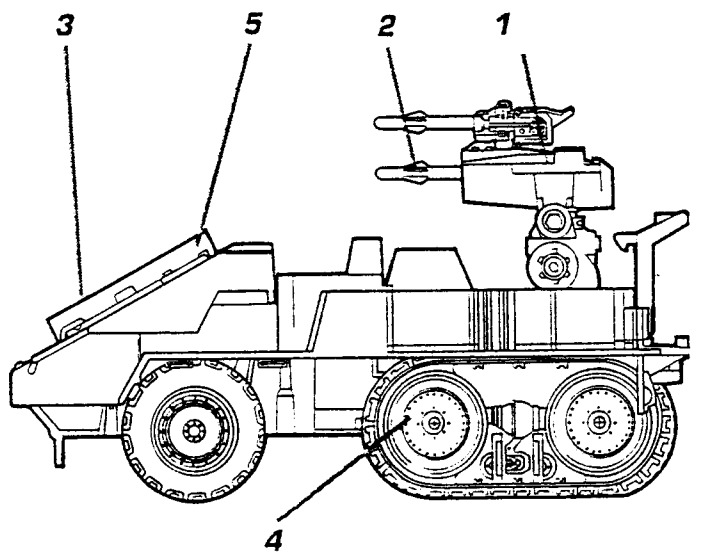
SECRET MOVE:
 Using the joystick, press in one continuous motion, then press any Kick button at the end of the joystick motion.

9. PEEL AND APPLY LABELS AS SHOWN.



DEVASTATOR™
OFFICIAL VEHICLE SPECIFICATIONS

1. ADJUSTABLE MISSILE LAUNCHER
2. 4 HEAT-SEEKING MISSILES
3. MOVABLE WINDSHIELD WIPER
4. ARMORED TRACKER TREADS
5. BULLET-PROOF CANOPY



Product and colors may vary.
 Approximate size of vehicle is 9 1/2" L x 5" W x 5 3/4" H.
 Capcom Street Fighter is a trademark of Capcom Co., Ltd.
 © 1994 Capcom Co., Ltd. All Rights Reserved.
 Instructions © 1994 Hasbro, Inc., Pawtucket, RI 02862 U.S.A. All Rights Reserved.
MADE IN CHINA. 84002 P/N 45084800