

STREET FIGHTER™

OFFICIAL MODEL FIGHTER™

HELI-FIGHTER™ INSTRUCTIONS

Ages: 5 & Up.
Remove all pieces from plastic frames.
If you have difficulty use safety scissors.

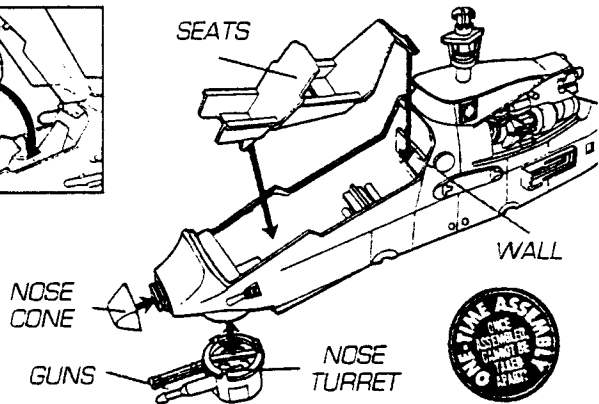
WARNING
Contains Small Parts Which Pose a
Choke Hazard For Children Under the
Age of Three.

CAUTION: Do not point weapon at eyes or face.

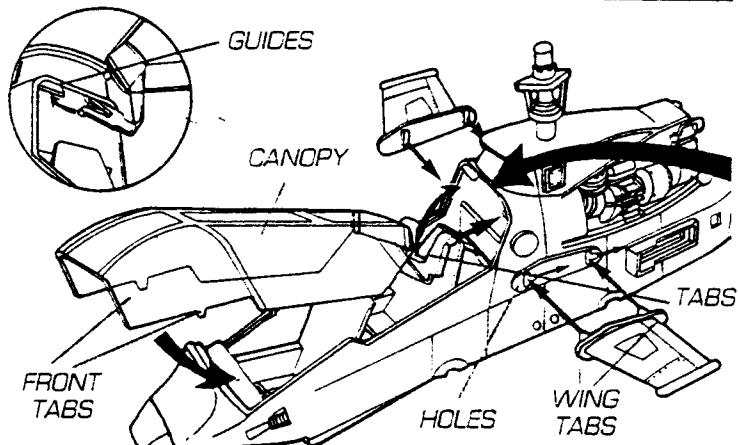
CONTAINS: "Heli-Fighter" vehicle, figure, front guns, seats, canopy, wings (2), landing skids, launcher, 4 rockets, winch & string, winch hook, winch drum, thumbwheel, spring, engine exhaust, engine covers (2), slide button, rotor, nose cone, rotor caps and label sheet.



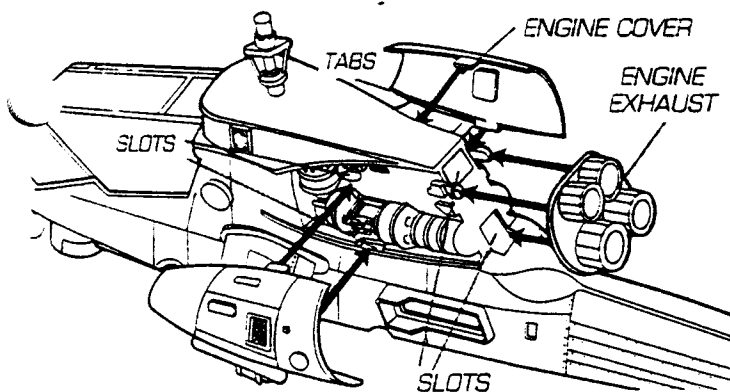
INSET



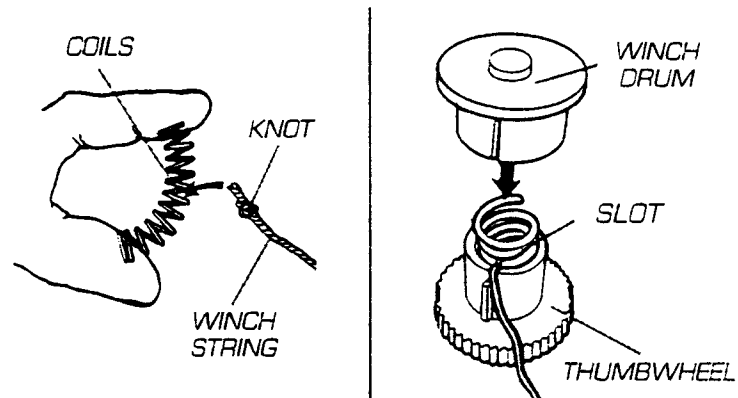
1. With guns pointing forward, snap nose turret into hole below vehicle as shown. Snap nose cone onto front end. Place seats into body by pushing the front seat in first, then pressing on back seat until tab snaps under wall. Colonel Guile™ figure can be positioned into the rear pilot's seat as shown (inset).



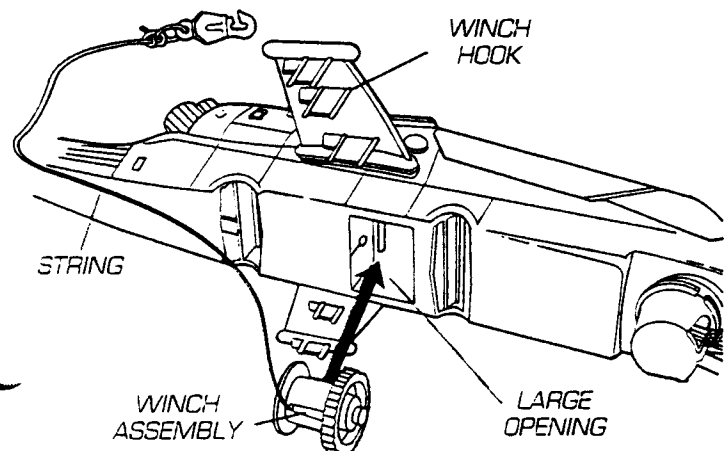
2. Position tabs on canopy into guides and push back until tabs snap in place (inset). Canopy is designed to open and close with front tabs. Fit wing tabs into holes in body side and slide wings back.



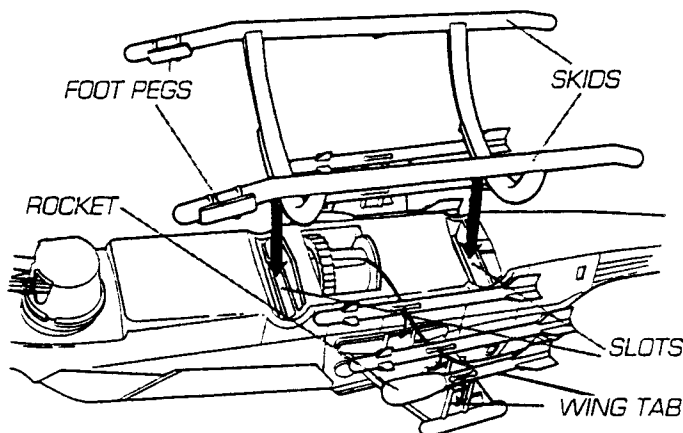
3. Fit tabs on engine exhaust into body slots. Snap tabs on right and left engine covers into body slots as shown. Slide out on back and forth to spin rotor.



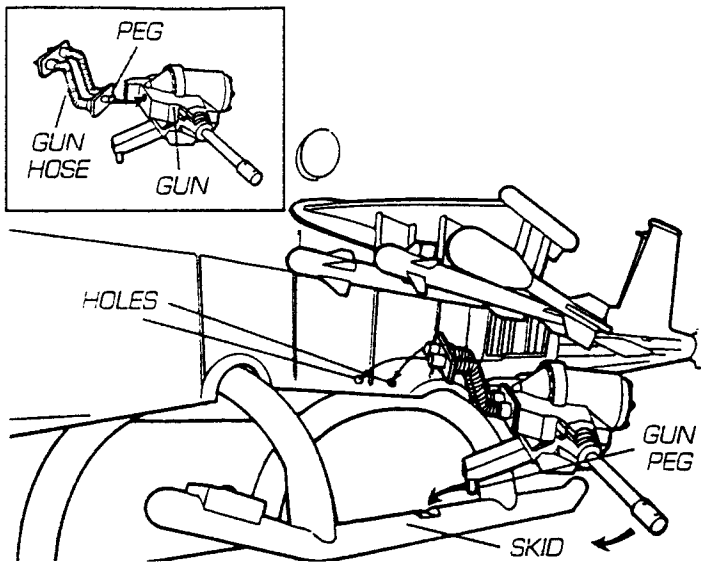
4. Make a knot at end of winch string. Bend the spring until the coils in the middle separate. Insert the knot between the coils so it is trapped inside of spring. Place spring inside thumbwheel with the string through slot as shown. Place winch drum over the thumbwheel aligning its slot over string.



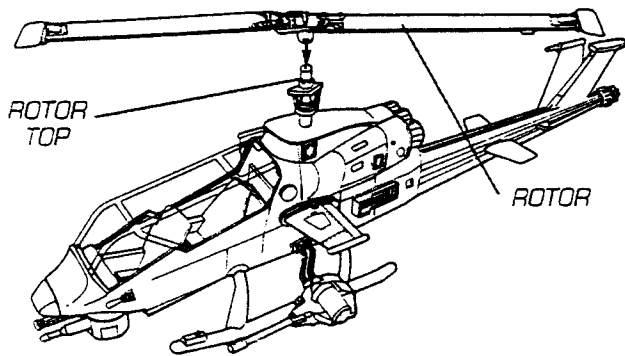
5. Squeeze winch assembly and place it into large opening in body bottom, then press until it snaps into place. Tie string through winch hook hole.



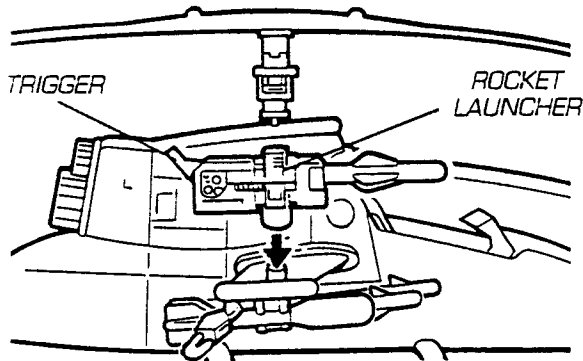
6. With foot pegs facing front, insert tabs on skids into slots in body bottom. (NOTE: To obtain a sure fit, squeeze skids together while inserting skid tabs into slots.) Fit slots in rockets over tabs on wings.



7. Insert gun hose peg into gun (inset). Fit other two pegs of gun hose into holes in body side. Place peg on gun bottom into hole in skid.



8. Snap rotor onto rotor top.

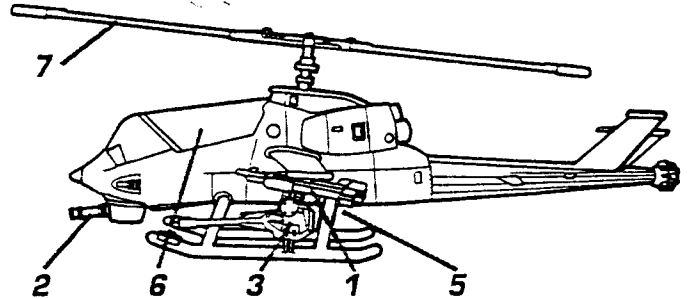


9. Insert launcher onto side of Heli-Fighter as shown. Insert rocket into barrel and lock in place. To fire, press trigger. **CAUTION:** Do not aim weapon at eyes or face.

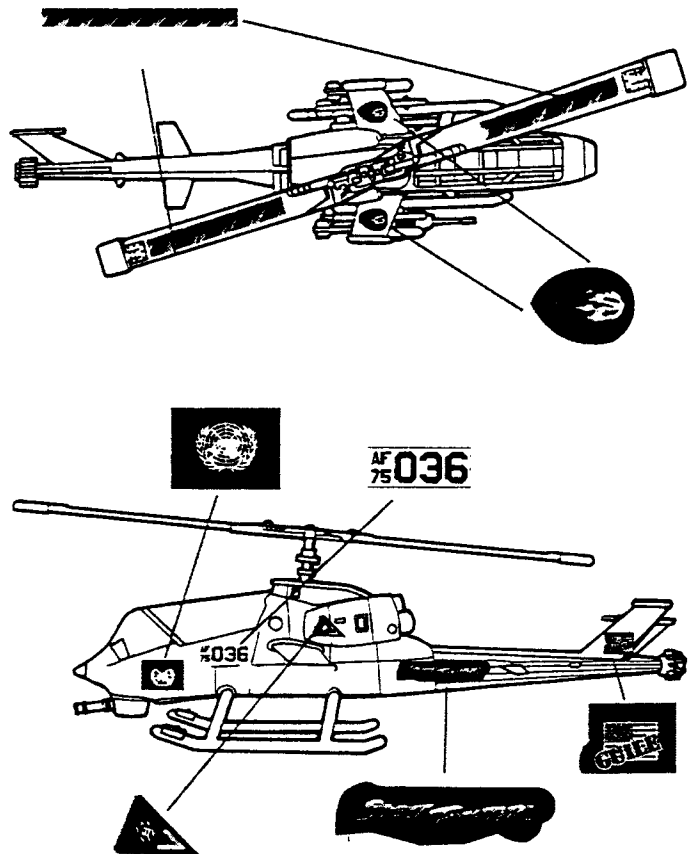
HELI-FIGHTER™

OFFICIAL VEHICLE SPECIFICATIONS


1. 4 AIR-TO-GROUND ROCKETS
2. PIVOTING NOSE CANNON
3. SIDE-MOUNTED MACHINE GUN
4. AIR-TO-GROUND ROCKET LAUNCHER
5. WORKING WINCH
6. POSITIONABLE CANOPY
7. ROTATING CHOPPER BLADES (ROTOR)



PEEL AND APPLY LABELS AS SHOWN.



APPLY LABELS TO BOTH SIDES.



DOUBLE SUPLEX
Stand near opponent. Press the joystick in a 360 degree rotation and press any Kick button. Make sure you press the Kick button as you reach the end of the joystick motion.

Approximate size of vehicle is 19" L x 4 1/2" W x 6" H
Product and colors may vary.
CapcomStreet Fighter is a trademark of Capcom Co., Ltd.
© 1994 Capcom Co., Ltd. All Rights Reserved.
Instructions © 1994 Hasbro, Inc., Pawtucket, RI 02862 U.S.A.
All Rights Reserved.
MADE IN CHINA.
84003 P/N 45085102