

STREET FIGHTER™

STREET STRIKER™ INSTRUCTIONS

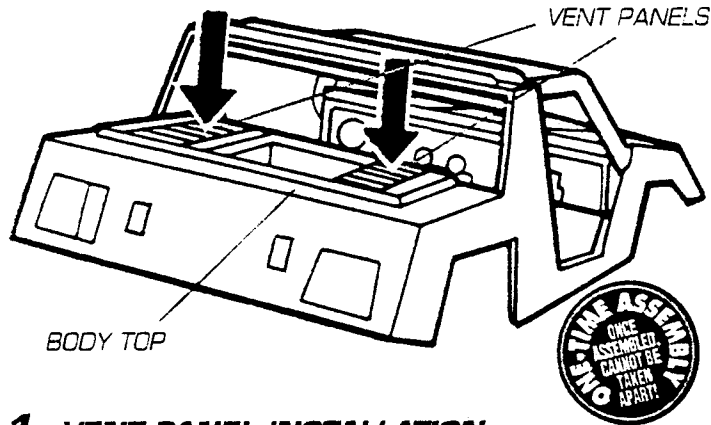
Ages: 5 & Up

Remove all pieces from plastic frames.
If you have difficulty use safety scissors.

WARNING
Contains Small Parts Which Pose a
Choke Hazard For Children Under the
Age of Three.

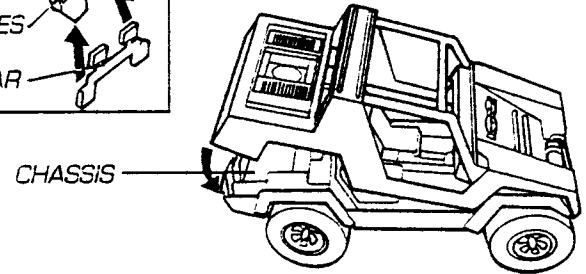
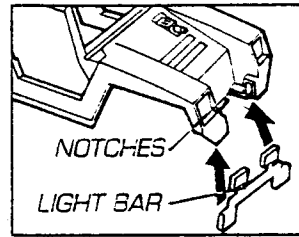
CAUTION: Do not point weapon at eyes or face.

CONTAINS: Vehicle top, chassis, light bar, 2 fuel cans, steering wheel, roof, doors (2), missile launcher, 4 missiles, launcher base top & bottom, 2 vent panels, supply pack, launcher base turret and label sheet.



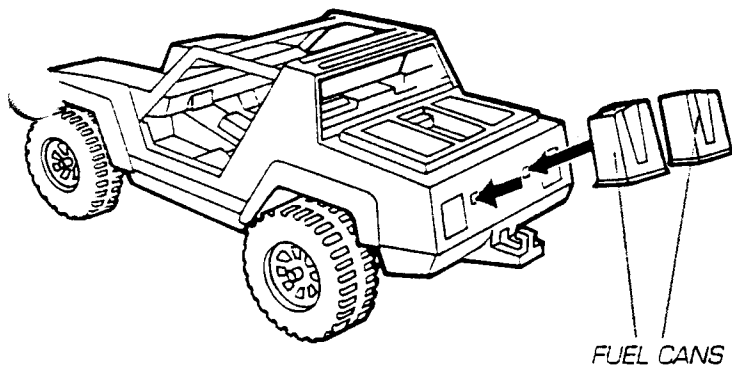
1. VENT PANEL INSTALLATION

Snap tabs on vent panels into slots in rear of body top as shown.



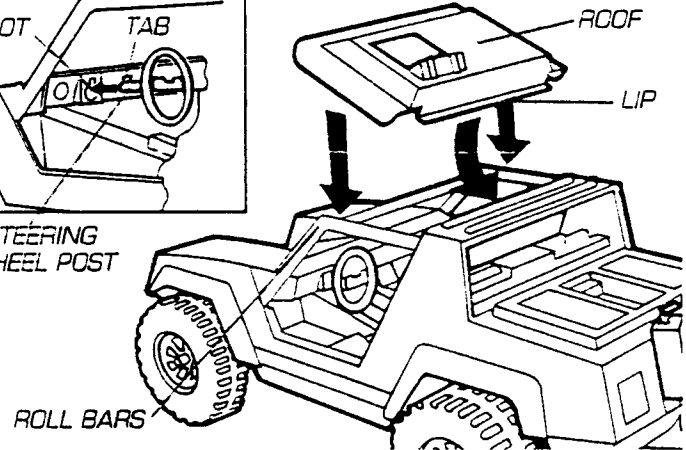
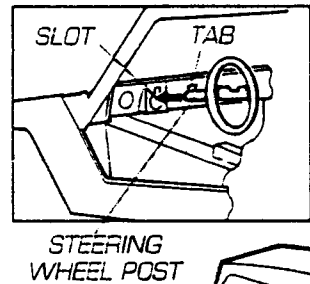
2. LIGHT BAR/BODY ASSEMBLY

With details of lights facing out, insert light bar into notches in body top (inset). Press body top onto chassis.



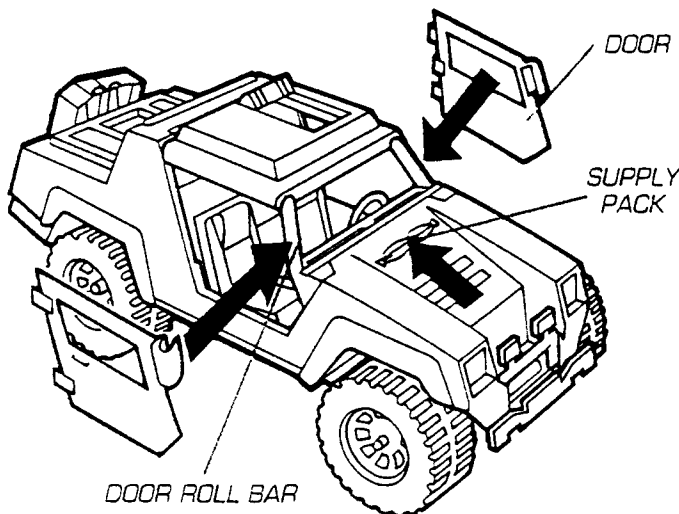
3. FUEL CAN INSTALLATION

Insert fuel cans (2) into rear vehicle holes as shown.



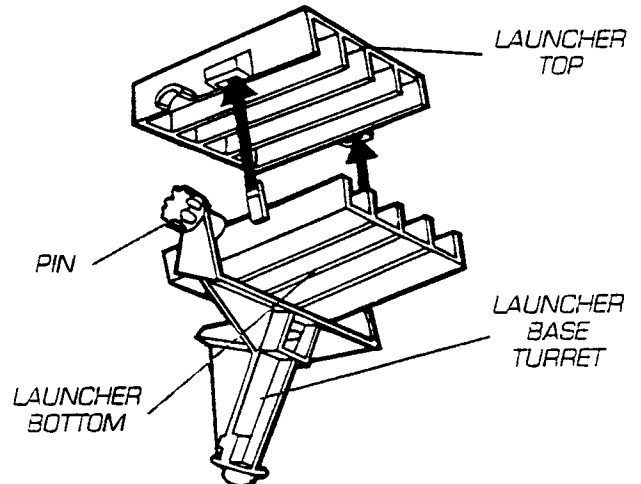
4. STEERING WHEEL/ROOF ASSEMBLY

Align tab on steering wheel post with slot in dashboard and press into place (inset). Fit lip of roof under the back of roof frame, then snap front and sides of roof down onto roll bars as shown.



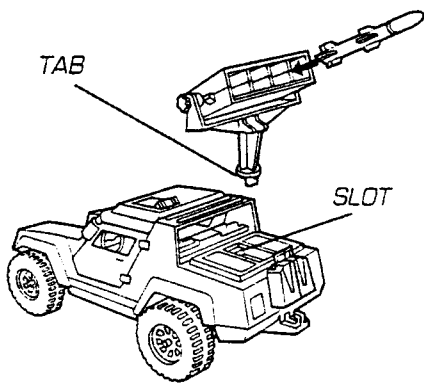
5. DOOR ASSEMBLY/SUPPLY PACK

Snap doors onto side roll bars as shown. Snap supply pack tabs into slots in vehicle hood.



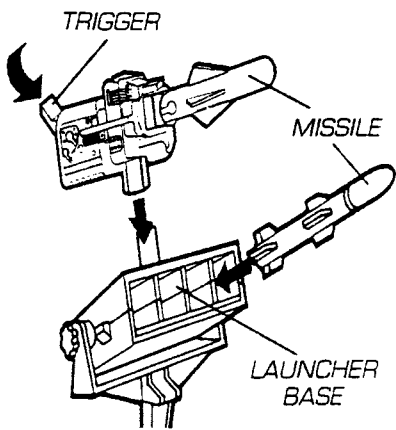
6. LAUNCHER BASE ASSEMBLY

Fit pins on either side of launcher base turret between launcher base top and bottom. Snap top and bottom together as shown.



7. LAUNCHER BASE ASSEMBLY

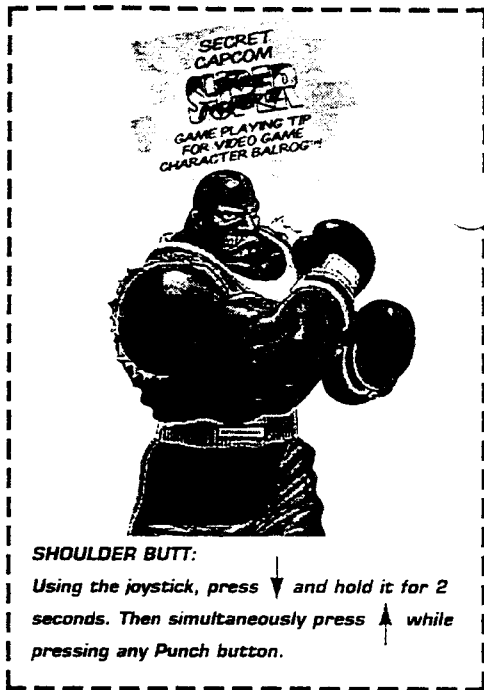
Line up tab on launcher base turret with slot in body as shown. Insert and twist to lock in place. Store missiles as shown.



8. MISSILE LAUNCHER OPERATION

Insert missile launcher post into launcher base hole. Insert missile into launcher barrel and lock in place. To fire, press trigger.

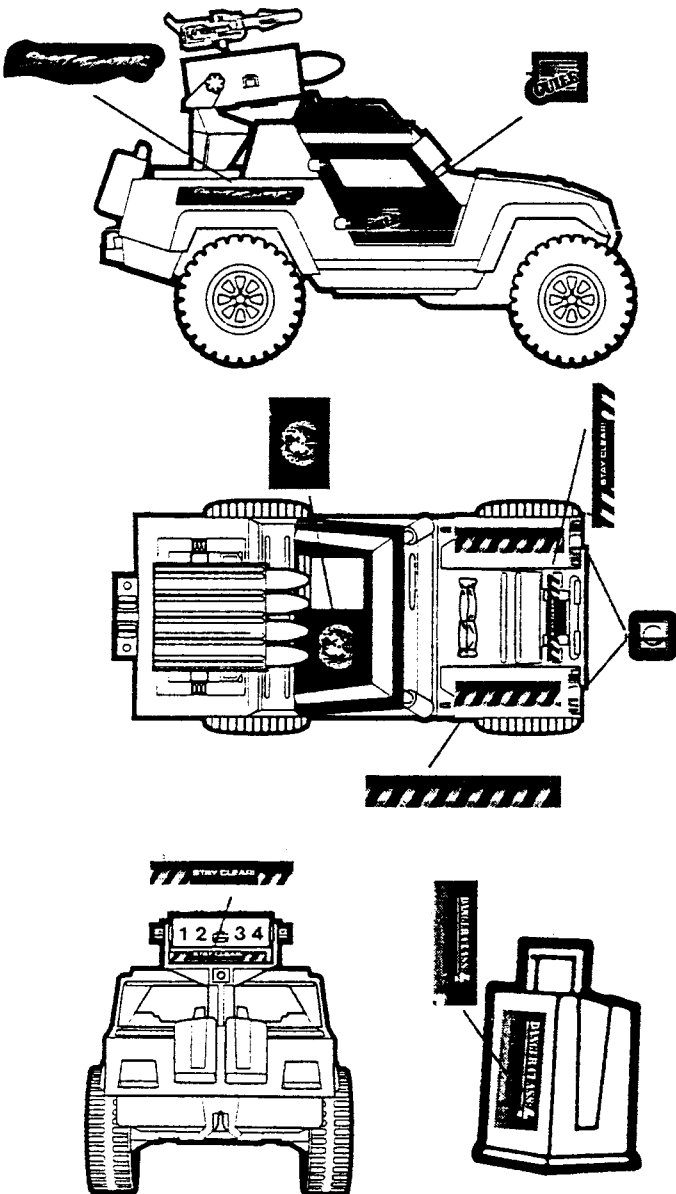
CAUTION: Do not aim launcher at eyes or face.



SHOULDER BUTT:

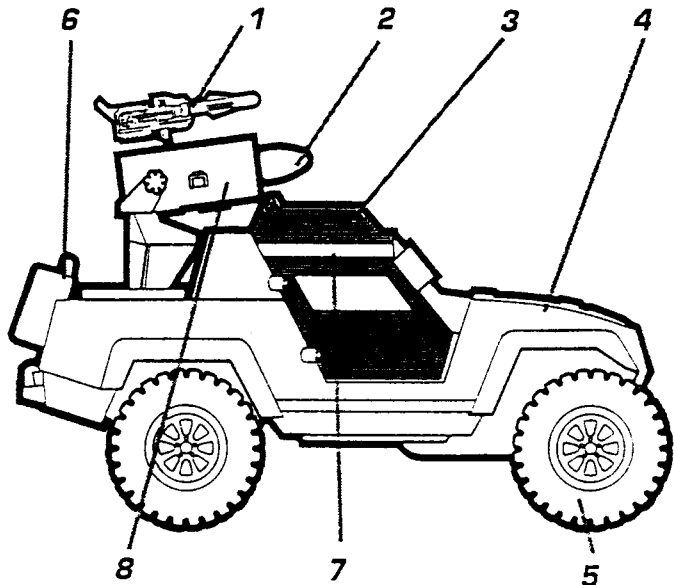
Using the joystick, press ↓ and hold it for 2 seconds. Then simultaneously press ↑ while pressing any Punch button.

9. PEEL AND APPLY LABELS AS SHOWN.



STREET STRIKER™ OFFICIAL VEHICLE SPECIFICATIONS

1. ADJUSTABLE, SURFACE-TO-AIR MISSILE LAUNCHER
2. 4 MEGA-BLAST MISSILES
3. REMOVABLE ESCAPE ROOF
4. BULLET-PROOF ARMORED HOOD
5. 4 STREET TIRES
6. 2 REMOVABLE FUEL CANS
7. REINFORCED PROTECTIVE ROLL CAGE
8. MISSILE STORAGE LAUNCHER BASE WITH TURRET



Capcom Street Fighter is a trademark of Capcom Co., Ltd.
 © 1994 Capcom Co., Ltd. All Rights Reserved.
 Instructions © 1994 Hasbro, Inc., Pawtucket, RI 02862 U.S.A. All Rights Reserved.
 MADE IN CHINA. 84001 P/N 45085301