

69733

AGES 4 AND UP



WARNING:

CHOKING HAZARD-Small parts.
Not for children under 3 years.

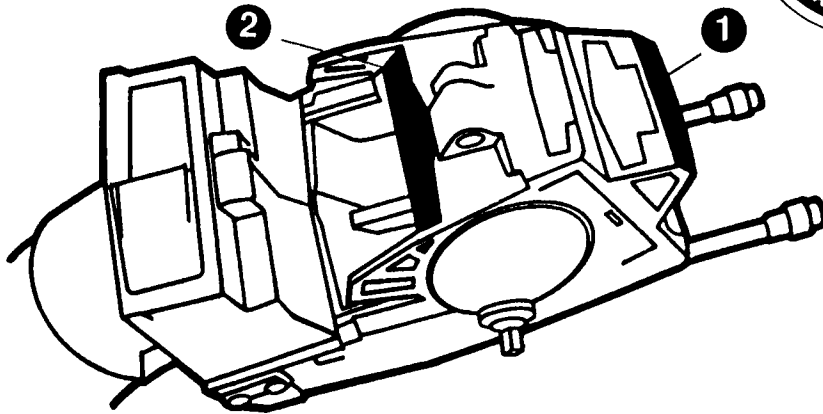
STAR WARS™

IMPERIAL AT-AT WALKER™



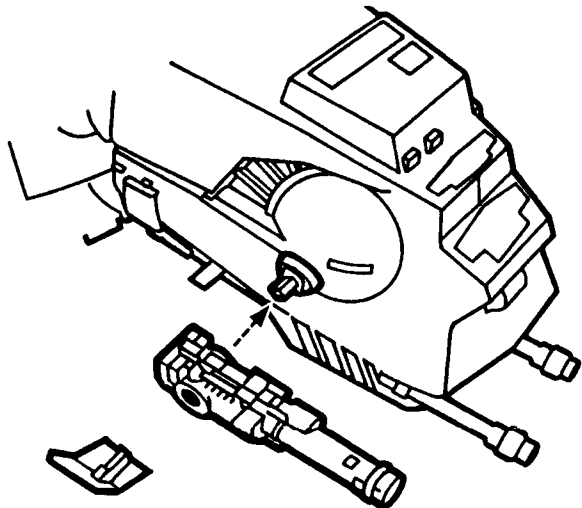
LABEL APPLICATION

1. Apply the labels using the numbers on the label sheet and this illustration as a guide.

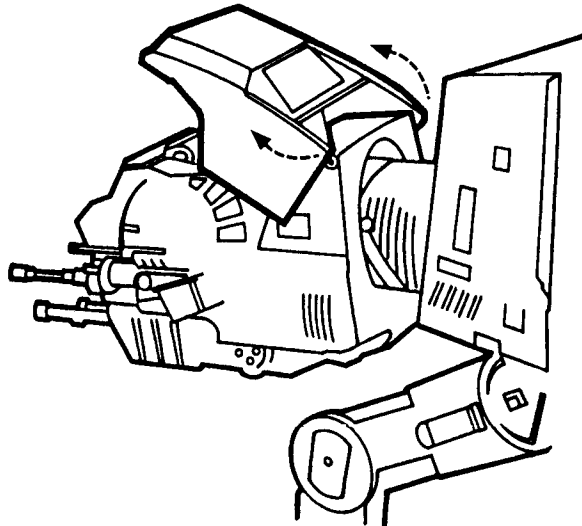


ASSEMBLY

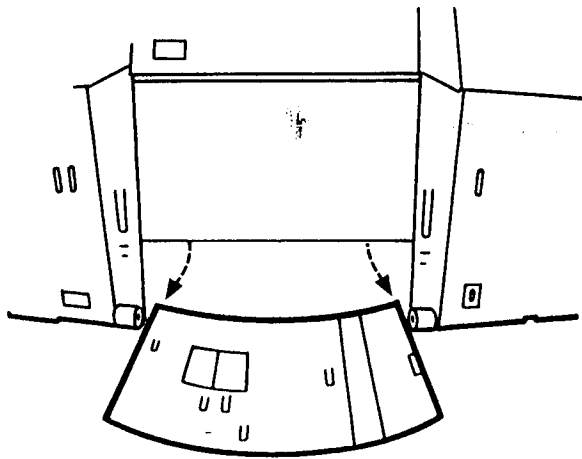
2. Attach each side gun to the head as shown. Guns rotate 360 degrees.



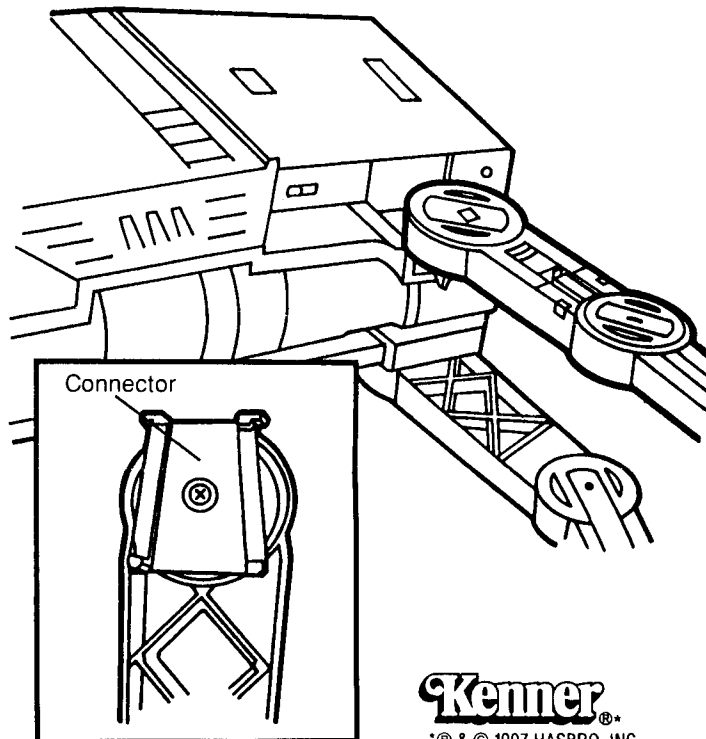
3. Slightly spread canopy to attach it as shown.



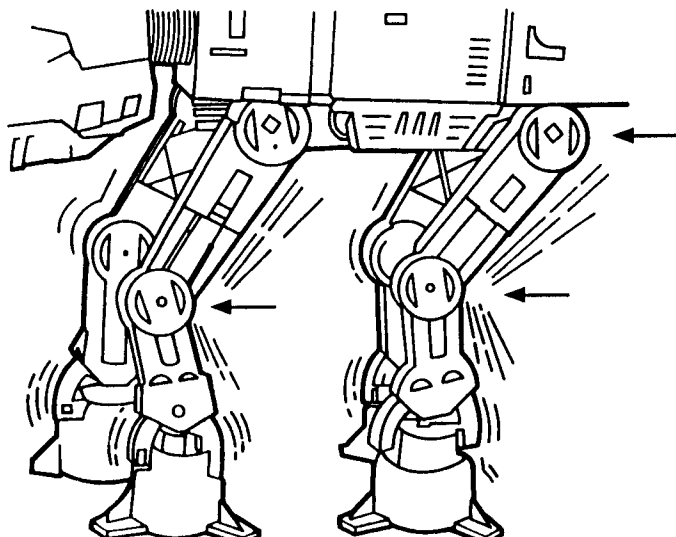
4. Flex the door as it is inserted into place.



5. Slide each leg all the way onto the vehicle until it "clicks" and locks in place. Make sure the connector, on the inside of the leg, is in the correct position before attempting to slide the leg in place.



6. Position the legs for standing by firmly rotating them at the hip and knee.



Kenner®

© & © 1997 HASBRO, INC.,
Pawtucket, Rhode Island 02862.
All Rights Reserved.

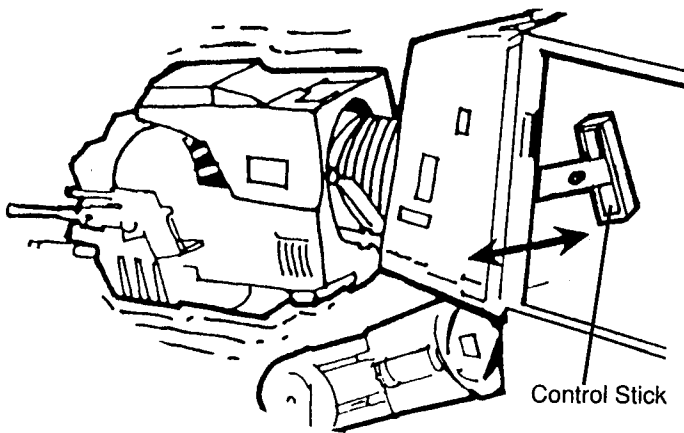
™ & © 1997 Lucasfilm Ltd.
All rights reserved.
Used under authorization.

**MADE IN MEXICO OF MEXICAN
AND CHINESE COMPONENTS.**

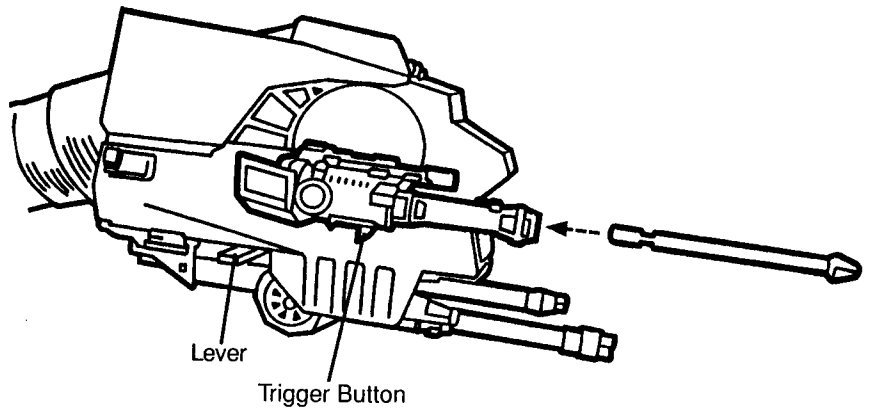
54048801

OPERATION

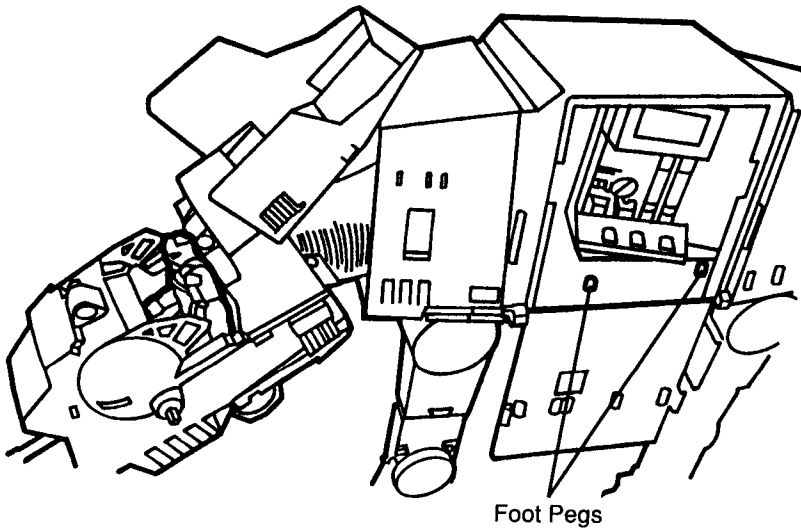
- 7.** Push the control stick inside the body in and out to make the head go up and down. Move it side-to-side to make the head move side-to-side.



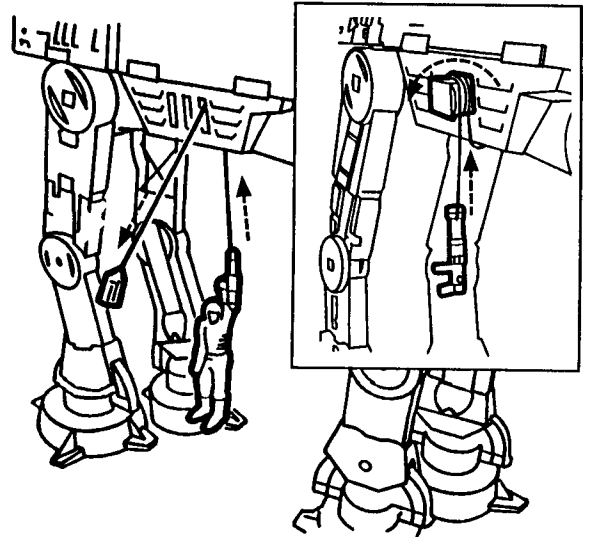
- 8.** The lower guns on the head will flash and make a sound as you move the lever back and forth. The upper guns on the head can be fired by pushing the button forward. Load the projectile into them before firing.



- 9.** Figures can sit in the cockpit or stand on foot pegs inside the body.

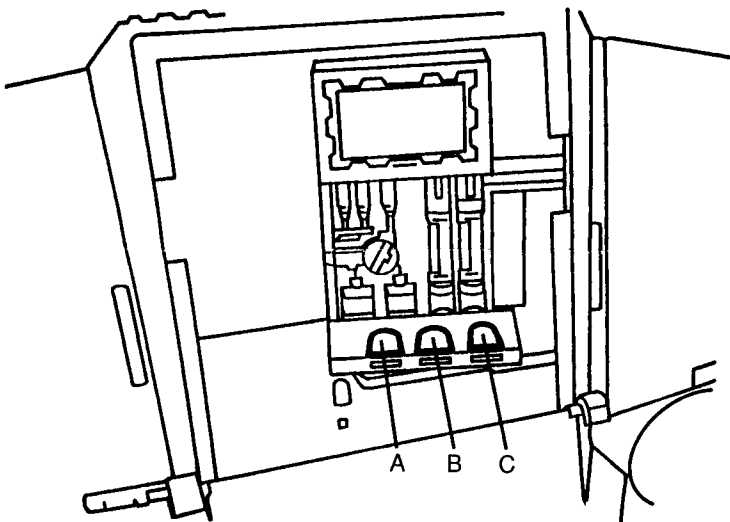


- 10.** The grappling gun on a string allows you to recreate the scene from the movie. Place the gun in the hand of a figure and pull on the other end to make him "climb" up to the bottom of the vehicle. Wrap the string around the spool for storage.



- 11.** Three buttons inside the body control the sound.

- | | | |
|----------------------|---|----------------------------|
| A) PRESS and RELEASE | = | WALKING SOUND |
| PRESS and HOLD | = | WALKING & CRUSHING SOUND |
| B) PRESS and RELEASE | = | FIRING SOUND |
| C) PRESS and RELEASE | = | VOICES WITH DISPLAY LIGHTS |



- 12.** To replace the three "AA" batteries, loosen the screw and remove the compartment door. Install the batteries as indicated and replace the door and tighten the screw.

CAUTION: To avoid battery leakage: 1) Be sure to insert the batteries correctly and always follow the toy and battery manufacturer's instructions. 2) Do not mix old and new batteries or alkaline, standard (carbon-zinc) or rechargeable batteries. 3) Always remove exhausted or dead batteries from the

