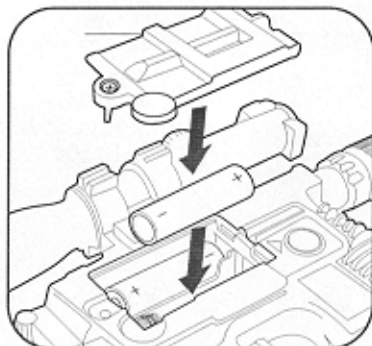


## TO REPLACE BATTERIES:

To replace batteries: Loosen screw in battery compartment door, and remove door. Discard exhausted batteries, and insert 2 fresh "AA" alkaline batteries. Replace door and tighten screw.

### **⚠ CAUTION: TO AVOID BATTERY LEAKAGE**

- 1) Be sure to insert the batteries correctly and always follow the toy and battery manufacturer's instructions;
- 2) Do not mix old and new batteries or alkaline, standard (carbon-zinc) or rechargeable (nickel-cadmium) batteries;
- 3) Always remove weak or dead batteries from the product.



#### FCC Statement

This device complies with part 15 of the FCC Rules. Operation is subject to the following two conditions: (1) This device may not cause harmful interference, and (2) this device must accept any interference received, including any interference that may cause undesired operation.

This equipment has been tested and found to comply with the limits for a Class B digital device, pursuant to part 15 of the FCC Rules. These limits are designed to provide reasonable protection against harmful interference in a residential installation. This equipment generates, uses and can radiate radio frequency energy, and, if not installed and used in accordance with the instructions, may cause harmful interference to radio communications. However, there is no guarantee that interference will not occur in a particular installation. If this equipment does cause harmful interference to radio or television reception, which can be determined by turning the equipment off and on, the user is encouraged to try to correct the interference by one or more of the following measures:

- Reorient or relocate the receiving antenna.
- Increase the separation between the equipment and receiver.
- Consult the dealer or an experienced radio/TV technician for help.

Changes or modifications to this unit not expressly approved by the party responsible for compliance could void the user's authority to operate the equipment."

Product and colors may vary.

©, \*TM & © 2002 Hasbro. All Rights Reserved.

® denotes Reg. U.S. Pat & TM Office

© Lucas Ltd. & TM. All Rights

Reserved. Used under authorization.

P/N 6148090000



Visit the official Star Wars Web Site  
[starwars.com](http://starwars.com)  
For more Star Wars toys and accessories visit [hasbro.com](http://hasbro.com)!  
©Disney  
Walt Disney Parks and Resorts  
Lake Buena Vista, FL 32830

# STAR WARS

AGES 5+

10196

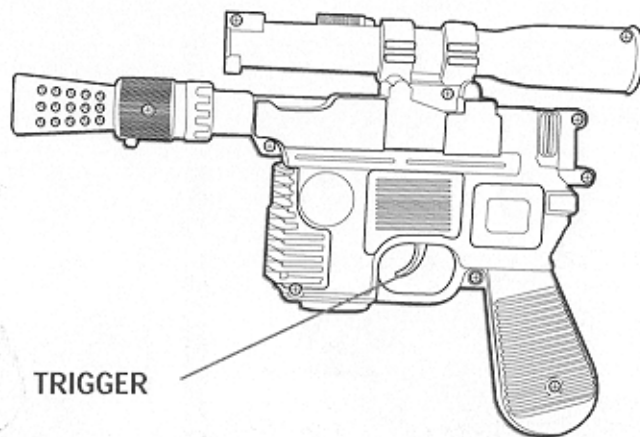
## REBEL ALLIANCE BLASTER™



Thank you for purchasing this exciting STAR TOURS toy!

Includes 2 "AA" batteries. Philips Screwdriver required for battery replacement.

INSTRUCTIONS: Pull trigger to activate laser-firing sounds.



TRIGGER



# STAR TOURS