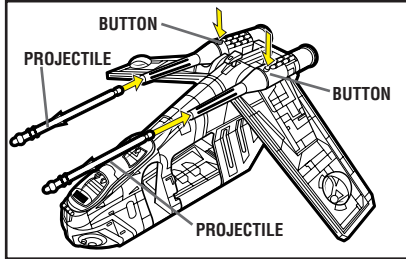
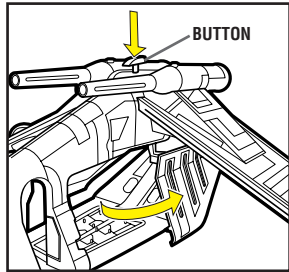


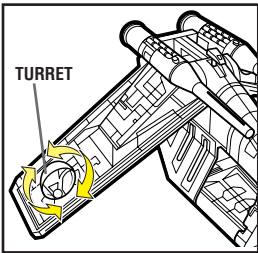
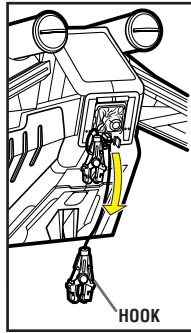
## FEATURES:

**DOORS:** Press button to open gunship doors.

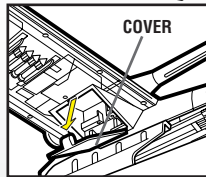
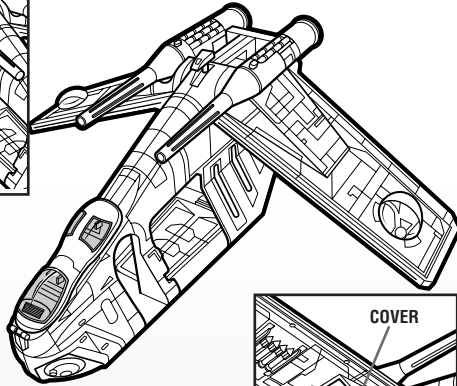


**"LASER" CANNONS:** Insert projectiles into cannons. Press button on each cannon to launch projectiles.

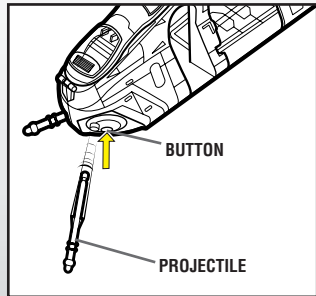
**GRAPPLING HOOK:** Unwind grapple hook to tow other vehicles (vehicles not included).



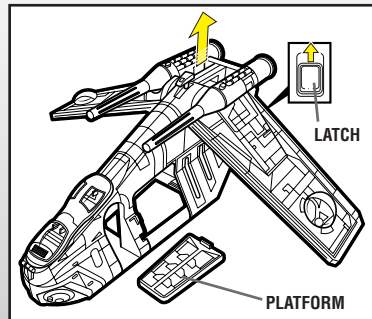
**WING BALL TURRETS:** Rotate turrets to activate blaster sounds.



**STORAGE BAYS:** Covers under wings open to reveal storage bays.



**CHIN GUNS:** Insert projectiles. Press buttons to fire projectiles.



**LANDING BASE:** Place gunship on a landing surface. To deploy troop landing platform, slide latch underneath ship, then lift the gunship straight up.

# STAR WARS

## REVENGE OF THE SITH™

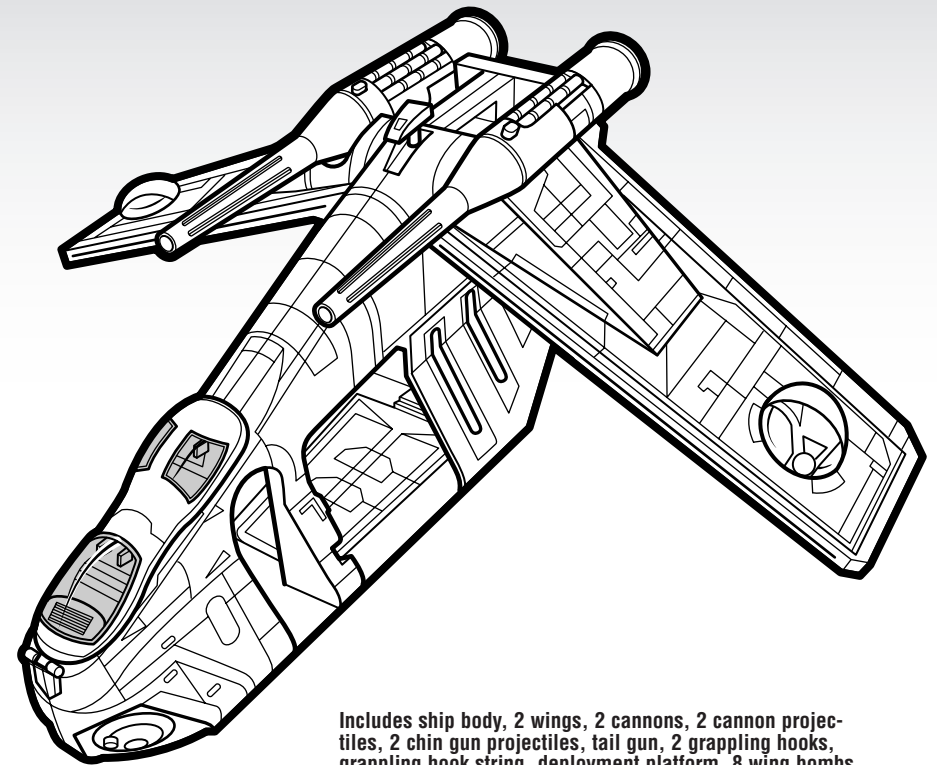
**WARNING:**

CHOKING HAZARD—Small parts.  
Not for children under 3 years.

**AGES 4+**  
85458/85414 Asst.

## REPUBLIC GUNSHIP™

Assembly required. No tools needed.



Includes ship body, 2 wings, 2 cannons, 2 cannon projectiles, 2 chin gun projectiles, tail gun, 2 grappling hooks, grappling hook string, deployment platform, 8 wing bombs, 4 door bombs, canopy, labels and instructions.



Product and colors may vary.  
© 2005 Lucasfilm Ltd. & © or TM where indicated. All rights reserved.  
Used under authorization.  
®\* and/or TM\* & © 2005 Hasbro.  
\* denotes Reg. U.S. Pat. & TM Office.

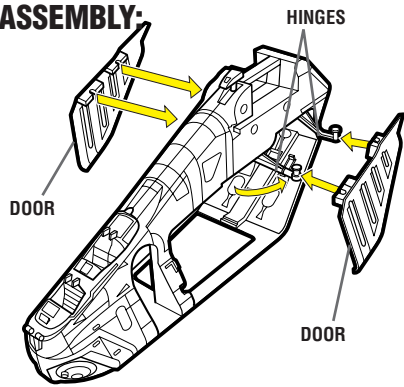
P/N 6444120000



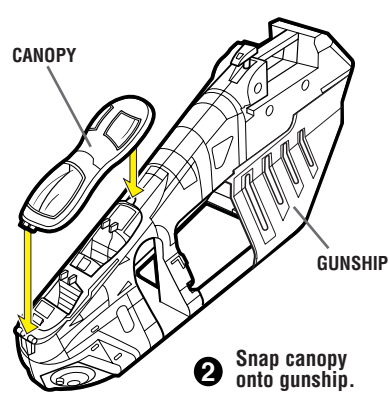
starwars.com



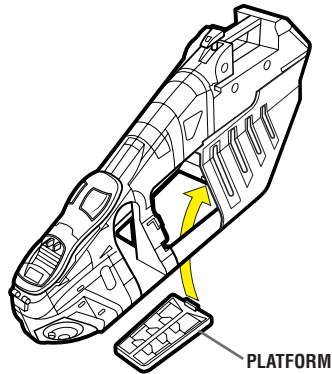
# ASSEMBLY:



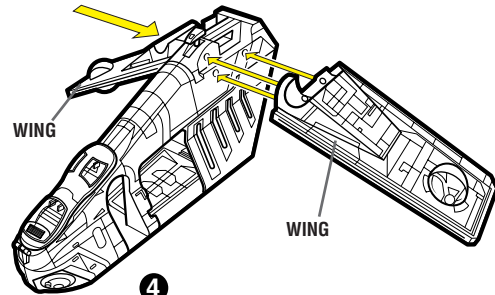
**1** If doors become dis-attached from toy, reattach by snapping knobs on door hinges into slots in doors.



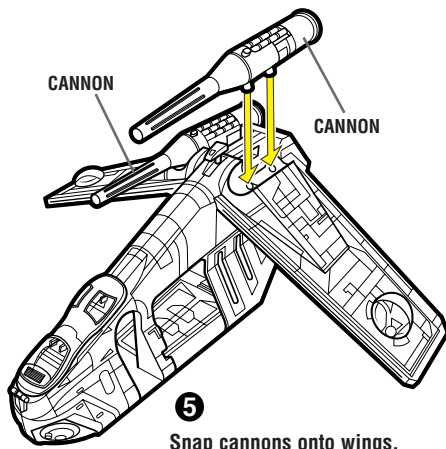
**2** Snap canopy onto gunship.



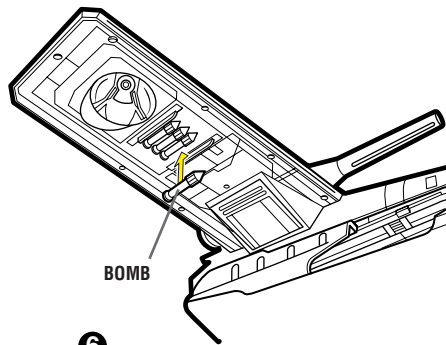
**3** From bottom of ship body, snap deployment platform into base of body.



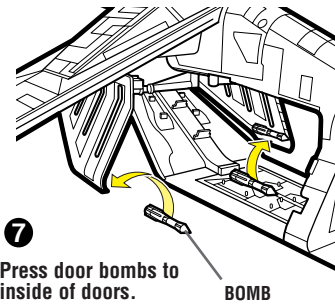
**4** Snap wings onto ship body.



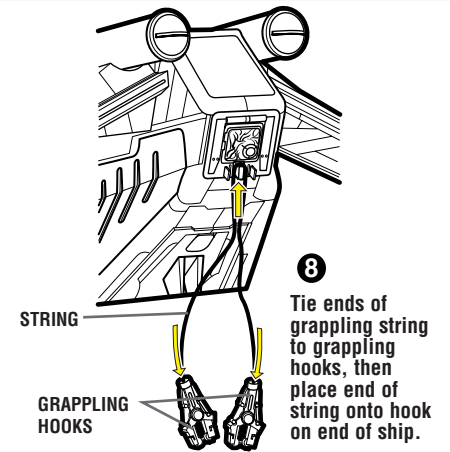
**5** Snap cannons onto wings.



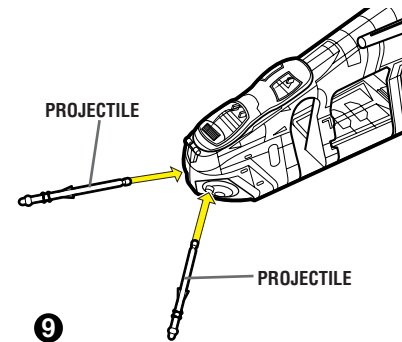
**6** Snap under-wing bombs to bomb holders.



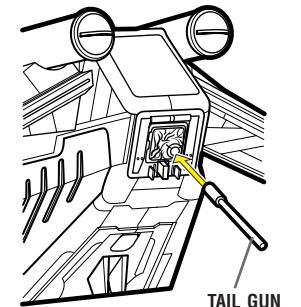
**7** Press door bombs to inside of doors.



**8** Tie ends of grappling string to grappling hooks, then place end of string onto hook on end of ship.



**9** Push chin gun projectiles into chin guns.



**10** Snap tail gun into socket.

Peel and apply labels as shown.

