



Sand and Water Activity Table™

INSTRUCTIONS

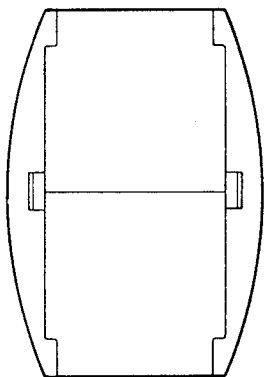
Ages: 2-7

Model No. 52016

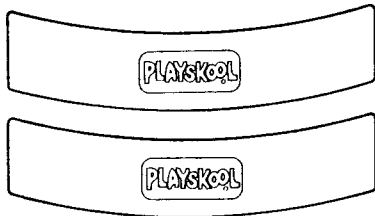
PARENT: PLEASE NOTE!
THIS PRODUCT SHOULD BE ASSEMBLED BY AN ADULT.
READ ALL INSTRUCTIONS CAREFULLY AND COMPLETELY BEFORE ASSEMBLING AND BEFORE ALLOWING CHILDREN TO PLAY WITH THIS TOY.

TOOL REQUIRED (not included): hammer.

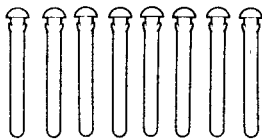
ILLUSTRATED PARTS LIST



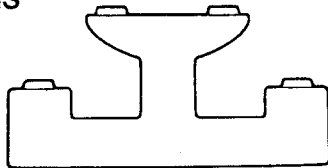
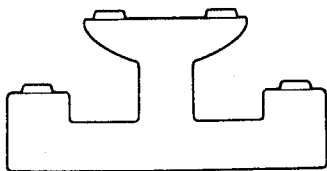
TABLETOP WITH COVERS



2 BENCH SEATS



8 PIVOT PINS



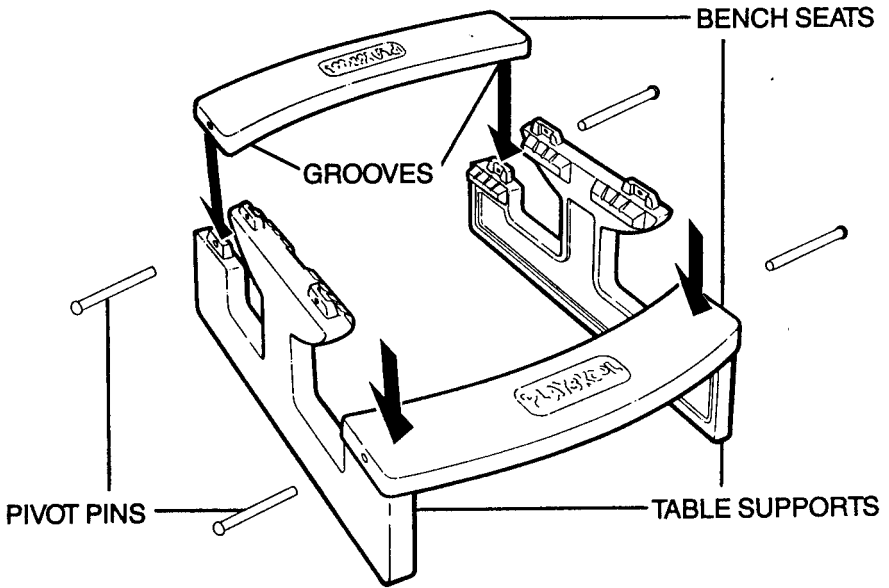
2 TABLE SUPPORTS

Helpful Hints:

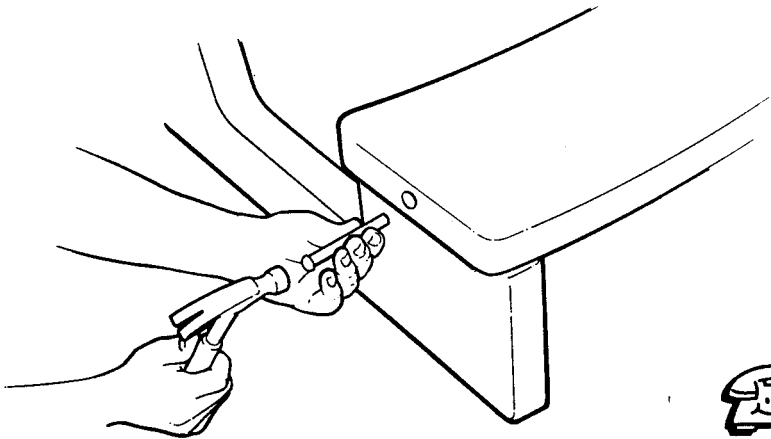
For best results, assemble your Sand and Water Activity Table in an open area free from obstructions. Periodically check to ensure all parts are securely attached.

SEAT ASSEMBLY

1. Stand table supports as shown. Fit grooves in bench seats over tabs on table supports. (ILL. 1A) Line up holes. Fit pivot pins into holes in bench seats. Using a hammer, tap pins into place as shown. NOTE: Some force may be required to hit the pivot pins into place. Be sure pins are fully inserted into holes. (ILL. 1B)



ILL. 1A



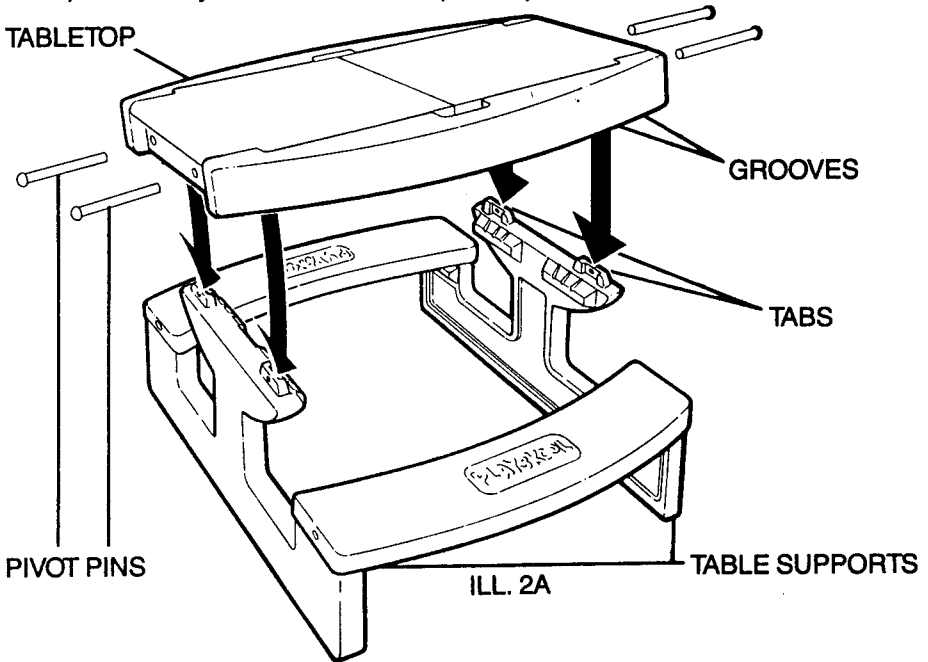
ILL. 1B



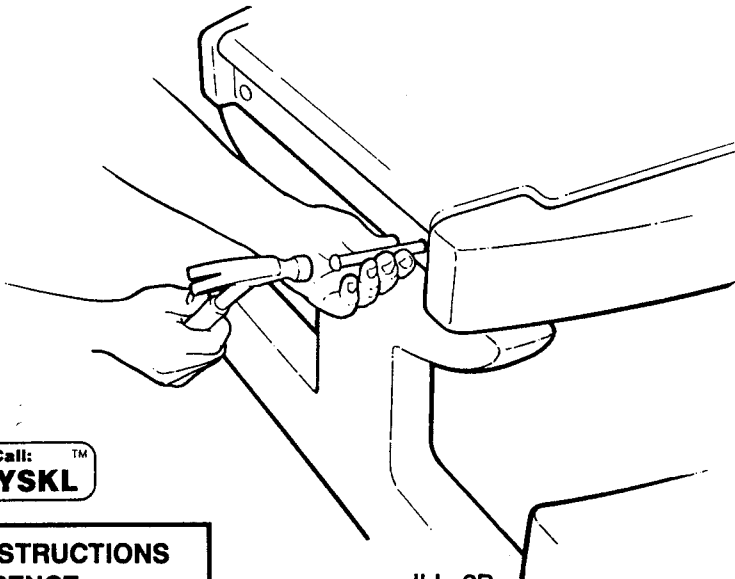
PLEASE RETAIN THIS FOR FUTURE USE

TABLETOP ASSEMBLY

2. Fit grooves in tabletop over tabs on table supports as shown. (ILL. 2A) Line up holes. Fit pivot pins into holes in tabletop. Using a hammer, tap pins into place. NOTE: Some force may be required to hit the pivot pins into place. Be sure pins are fully inserted into holes. (ILL. 2B)



ILL. 2A



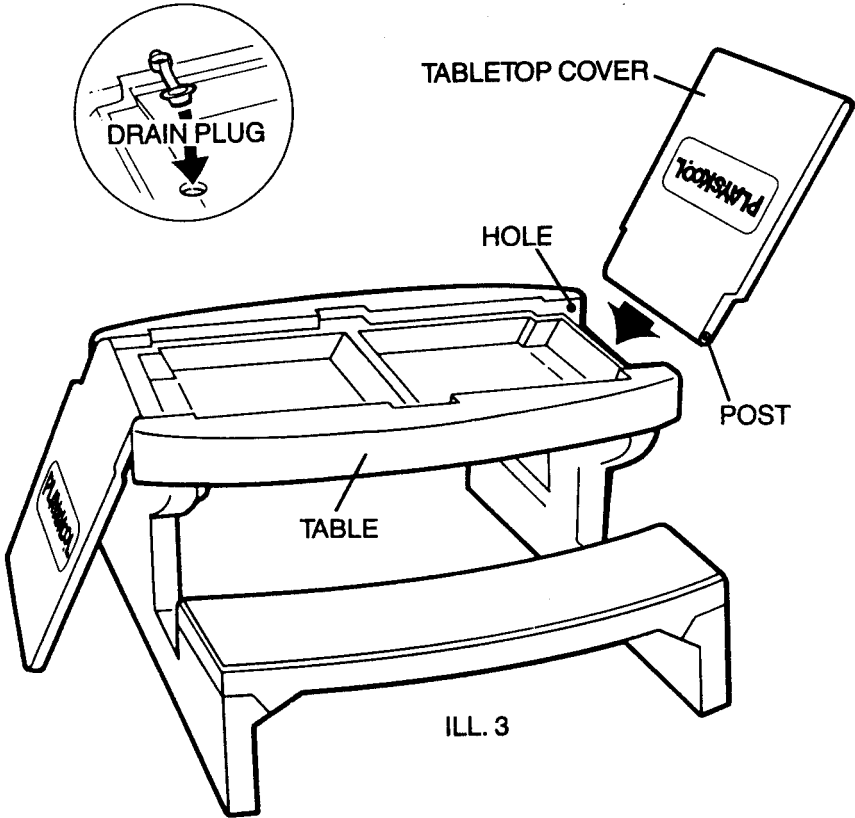
ILL. 2B

Questions? Call: **1-800-PLAYSKL**™

THESE INSTRUCTIONS
ARE FOR REFERENCE.

TABLETOP COVERS

3. The tabletop covers on your Playskool Sand and Water Activity Table are designed to detach under pressure. To reattach, hold tabletop cover as shown and fit one post into hole in table. Snap in the opposite post as shown. NOTE: For a smooth writing surface, the Playskool logo should face in when the cover is closed. Repeat with other tabletop cover if necessary. (ILL. 3) NOTE: If the drain plugs detach during play, simply snap the plugs back into the holes.



ILL. 3

PARENTS PLEASE NOTE:

PLEASE GO OVER THESE RULES WITH YOUR CHILD TO ENSURE SAFE PLAY.

SAFETY INSTRUCTIONS

- 1. CHILD SHOULD NEVER SWING DOWN THE TABLETOP COVERS WHEN SOMEONE IS IN THE WAY.**
- 2. CHILD SHOULD BE SURE THAT ALL OBJECTS FIT NEATLY INSIDE BEFORE CLOSING TABLETOP COVERS.**
- 3. CHILD SHOULD NOT STAND ON TOP OF THE TABLE.**

©1990 Playskool, Inc., Pawtucket, RI 02862 USA, a subsidiary of Hasbro, Inc. All Rights Reserved. ®denotes U.S. Patent and TM office.

MADE AND PRINTED IN USA.