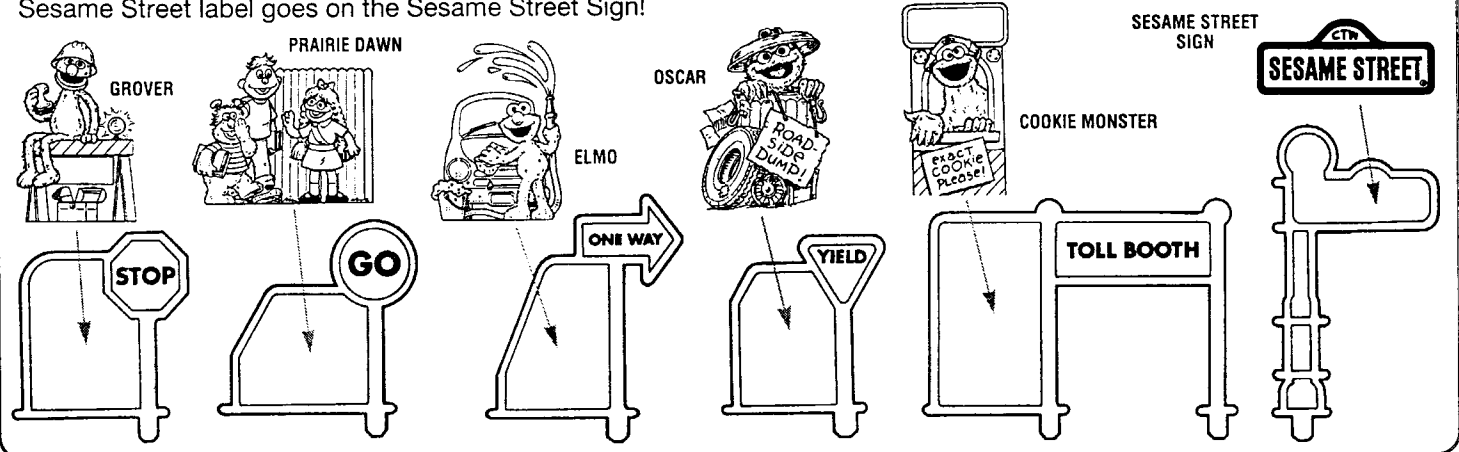


Welcome to the Sesame Street 1-2-3 Highway! With this special roadway system, building lots of different track combinations is as easy as 1-2-3!

Includes: 2 #1 tracks, 2 #2 tracks, 2 #3 tracks, 4 additional tracks, 3 track bases, 2 entrance ramps, 1 bridge ramp, 5 highway signs, 1 finish line/toll booth, 3 flippers, 3 flipper brackets, 4 short girder tubes, 2 tall girder tubes, 2 die cast vehicles, label sheet and instructions.

APPLYING THE LABELS:

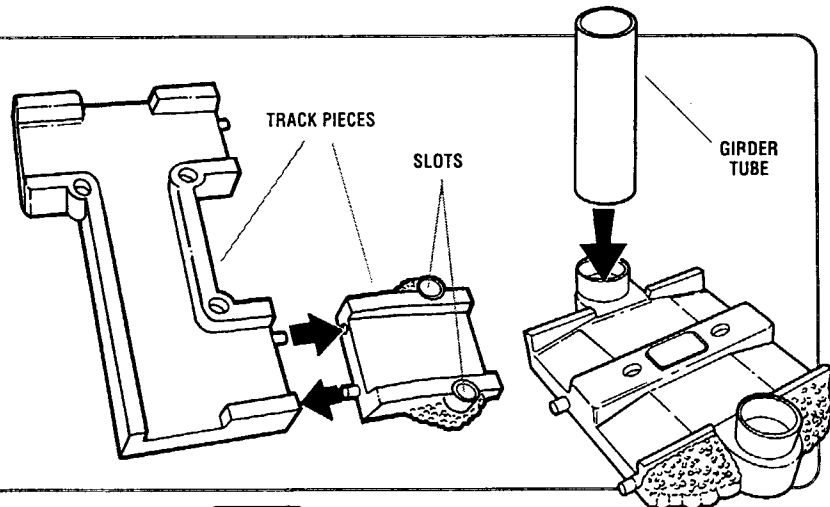
Peel and apply the appropriate labels to each sign: Grover goes on the "Stop" sign, Prairie Dawn and her friends on the "Go" sign, Elmo on the "One Way" sign, Oscar on the "Yield" sign, and Cookie Monster on the toll booth. Finally, the Sesame Street label goes on the Sesame Street Sign!



ASSEMBLING THE TRACKS:

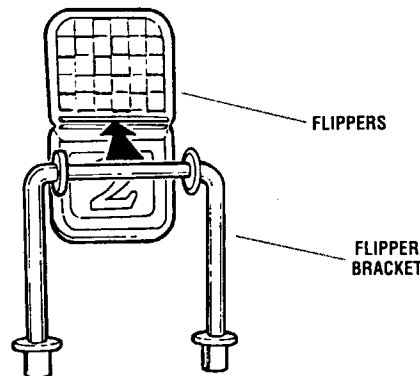
The tracks may be assembled in many different combinations. Simply fit the track pieces together as shown. Here are some guidelines to follow when creating a track layout:

- All of the dark green track pieces, including the entrance ramps and bridge ramp, should be used as base pieces.
- Use the girder tubes to make downhill ramps. These ramps will send your Big Bird and Ernie vehicles rolling down the highway!
- After you've finished assembling a highway, you may place the various signs and flippers anywhere you'd like by fitting them into the slots that are on every track piece.



ASSEMBLING THE FLIPPERS TO HIGHWAY:

1. Snap the flippers onto the flipper brackets as shown.
2. Place the flippers on the downhill ramps. You may place them in a row or spread them out along the track.



© 1993 Children's Television Workshop. Jim Henson's Sesame Street Muppet Characters, © 1993 Jim Henson Productions, Inc. Sesame Street and the Sesame Street Sign are trademarks and service marks of Children's Television Workshop.

This product was produced by Kid Dimension, Inc. in conjunction with the Children's Television Workshop. Revenues from this product will be used to help support CTW educational projects.

Child Dimension™ is a trademark of Kid Dimension, Inc. © 1993 Kid Dimension, Inc., a subsidiary of Hasbro, Inc., Pawtucket, RI 02862 USA. All Rights Reserved.

® denotes Reg. US Pat. & TM Office. **MADE IN CHINA.**