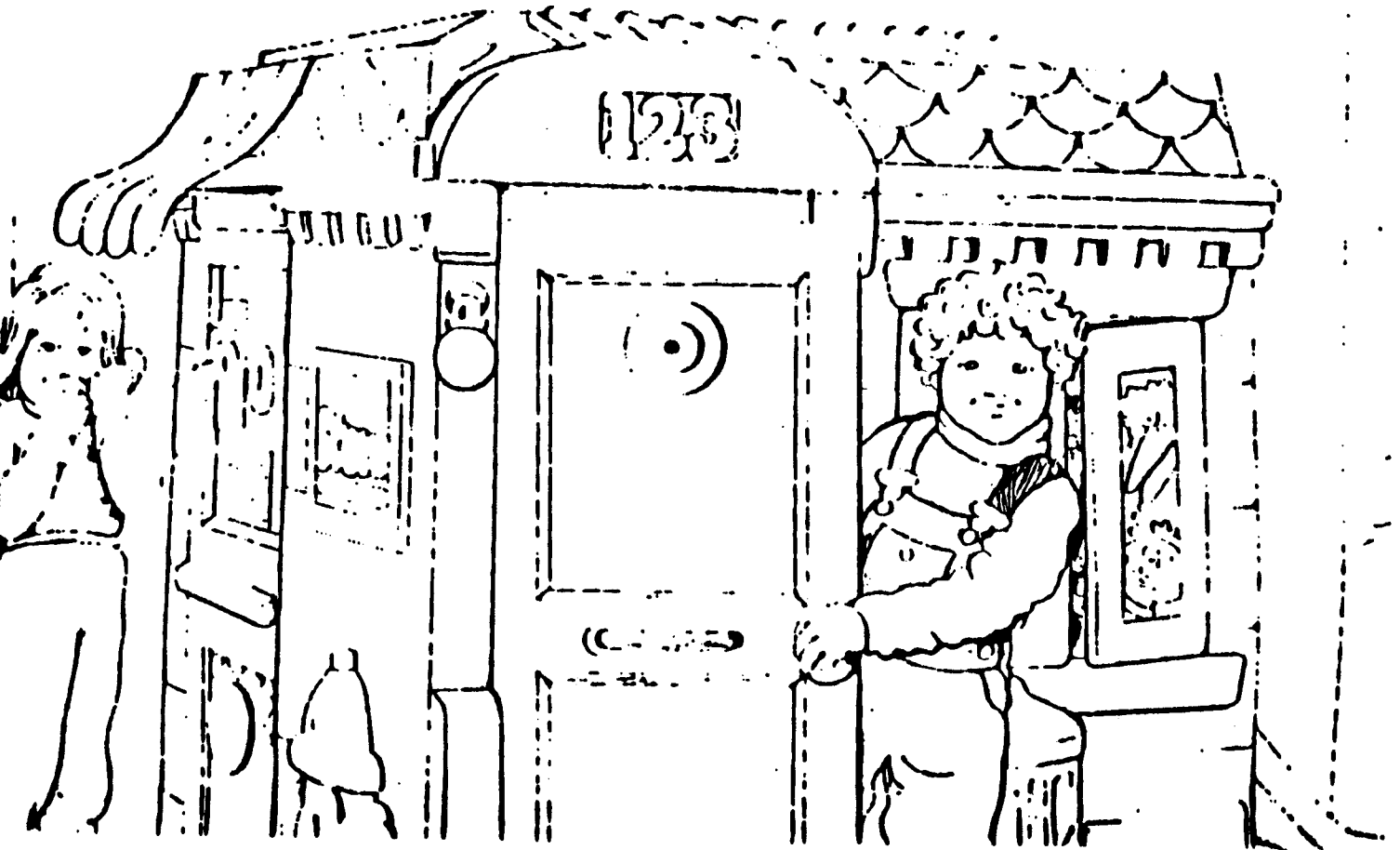


Model No. 52000

CTW

SESAME STREET

DELUXE CLUBHOUSE

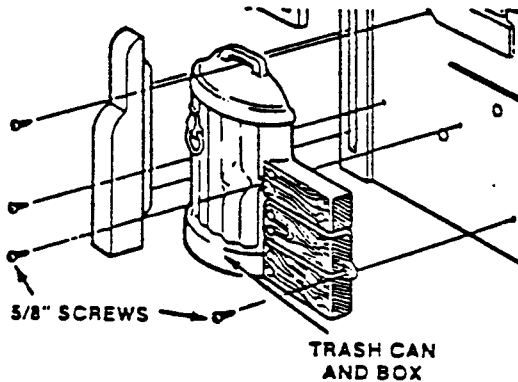




## IMPORTANT: Corrections To Clubhouse Instructions

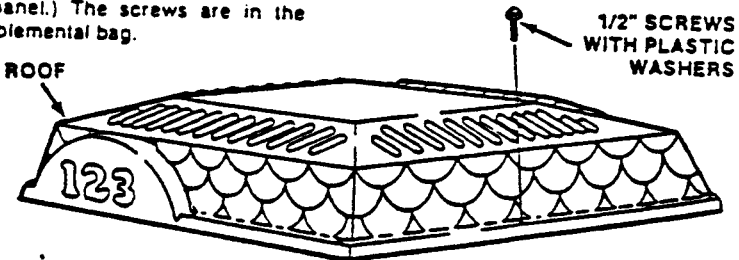
Disregard steps 14 and 23 in the instruction booklet,  
and step 18 has been modified.  
They have been corrected to read as follows:

**STEP 14** Place trash can and box into position on front panel. Drive FOUR 5/8" screws into pilot holes as shown below. Do not overtighten.



**STEP 18** Use 5/8" screws in supplemental bag for assembly.

**STEP 23** Install roof onto clubhouse by driving eight 1/2" screws with PLASTIC WASHERS directly into molded panels as shown below. Do not overtighten. (There are no corresponding holes in panel.) The screws are in the supplemental bag.



# PARENT: PLEASE NOTE!

THIS PRODUCT SHOULD BE ASSEMBLED BY TWO ADULTS. READ ALL INSTRUCTIONS VERY CAREFULLY AND COMPLETELY BEFORE YOU BEGIN ASSEMBLING. Study each step to familiarize yourself with procedure and parts. (Refer to Page 11, Illustrated Parts List.)

**TOOLS REQUIRED.** (not included): Hammer, regular screwdriver, small Phillips screwdriver, pliers.

This clubhouse may be used indoors or out. When installing the clubhouse outdoors, the side window panels should be filled with sand for stability against wind. Each panel will hold 25 pounds of sand, poured through the two holes indicated in STEP 20. There is a hole in the bottom of each window panel that may be blocked with tape to prevent spillage. **DO NOT** attempt to fill side window panels with water because of possible bacteriological buildup or freeze damage.

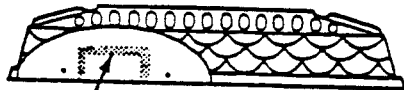
## DECAL POSITIONS

### STEP 1

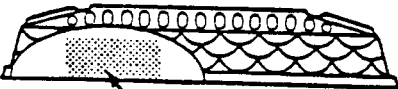
Thoroughly wipe decal areas with a clean, dry cloth. Apply decals to the areas indicated. Be sure of decal locations before smoothing in place.

**IMPORTANT**  
DECALS HAVE QUICK-SETTING ADHESIVE.  
BE SURE OF POSITION BEFORE APPLICATION.  
DECAL CANNOT BE LIFTED AFTER SETTING.

1



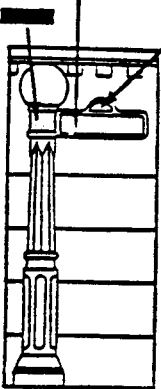
ROOF (BACK)



ROOF (FRONT)

123

SESAME STREET

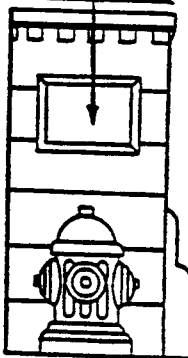


RIGHT SIDE PANEL

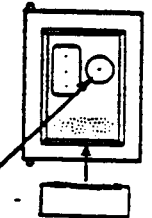


INSIDE RIGHT SIDE PANEL

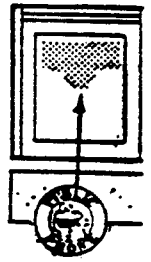
Store



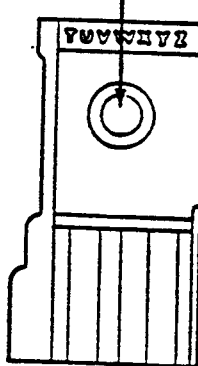
LEFT SIDE PANEL



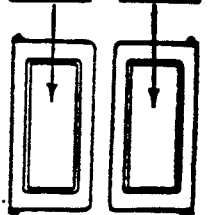
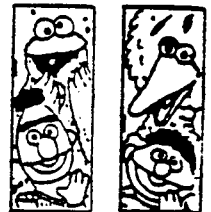
HINGED DOOR PANEL FRONT (WITH HOLES)



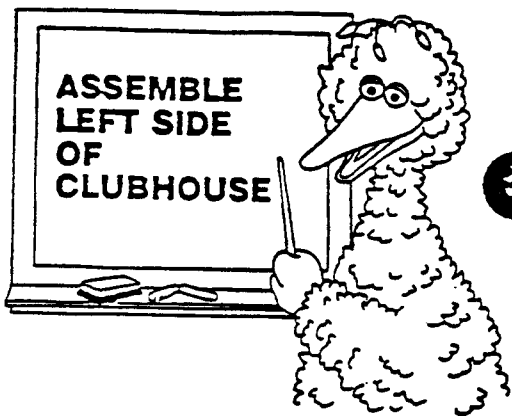
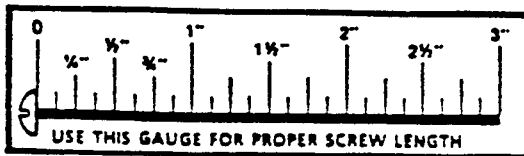
FIXED DOOR PANEL



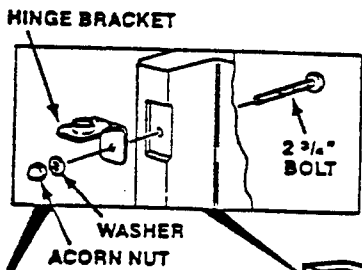
INSIDE LEFT SIDE PANEL



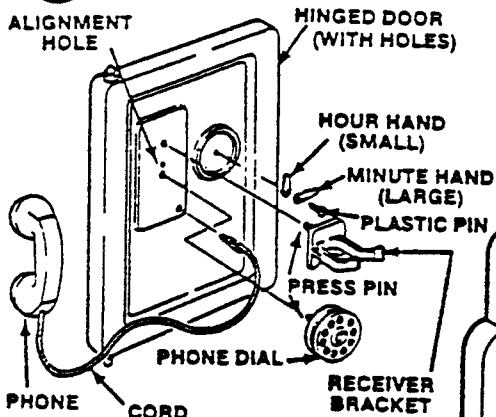
SHUTTERS



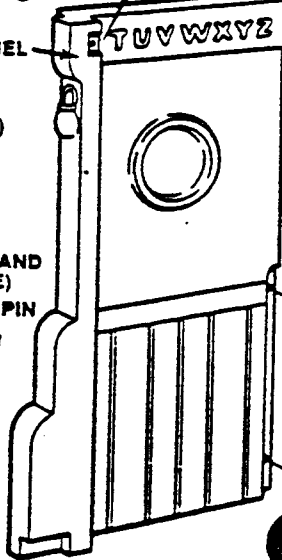
3



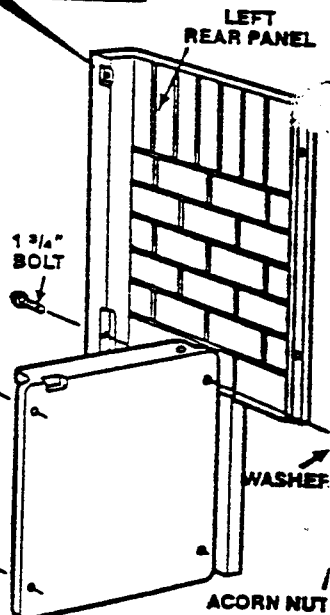
2



**STEP 2** Push the plastic pin through both clock hands and into hole in clock panel. Press pins on phone dial and receiver bracket into mounting holes as shown. Note: Alignment pin at the rear of the phone dial is to be positioned in the alignment hole.



4

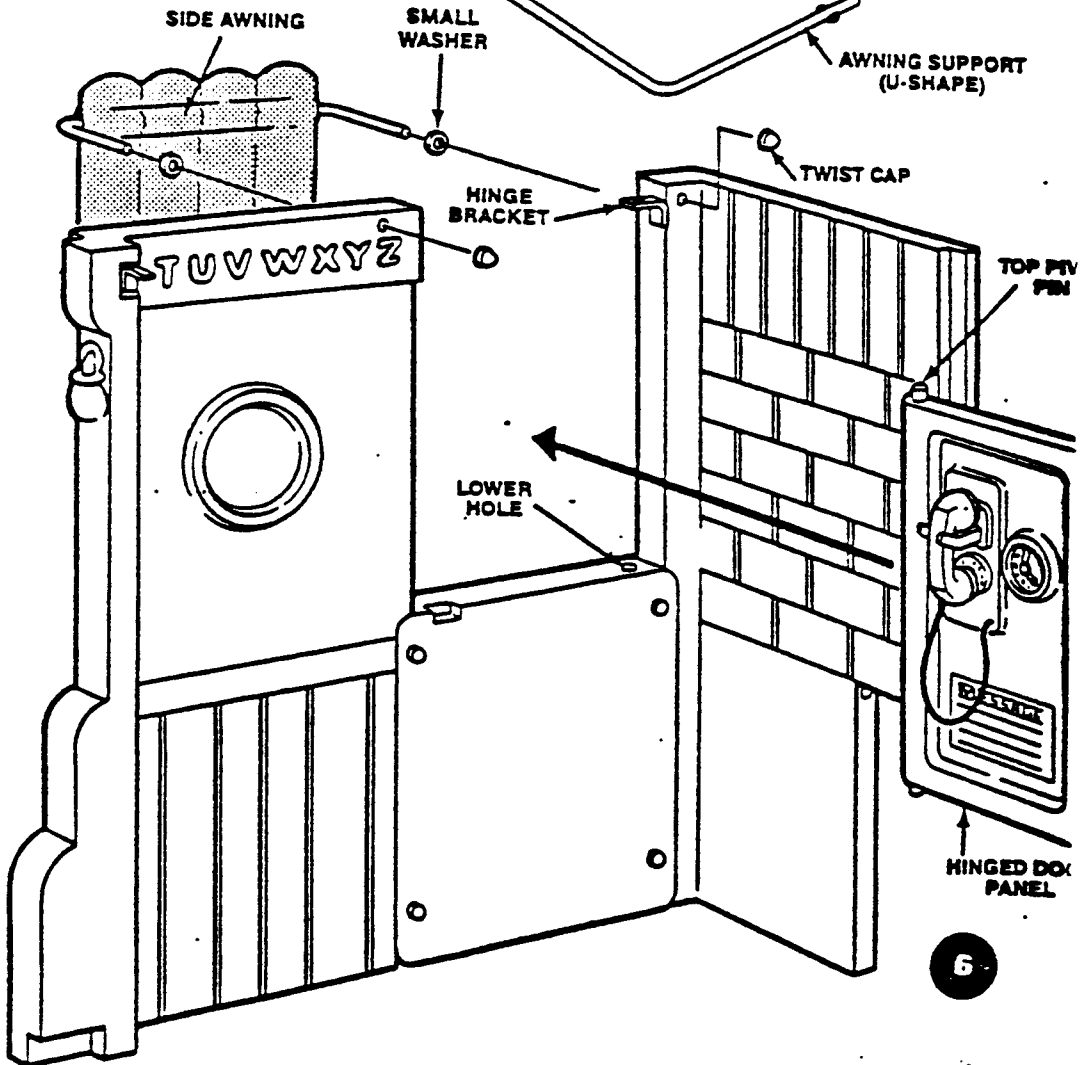
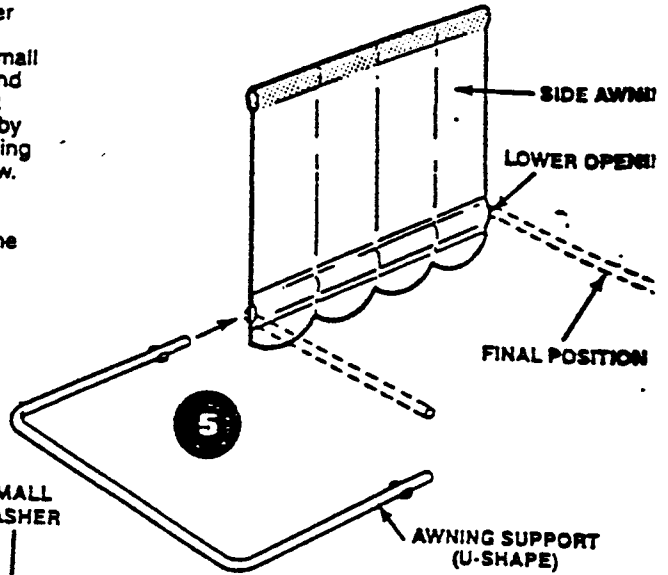


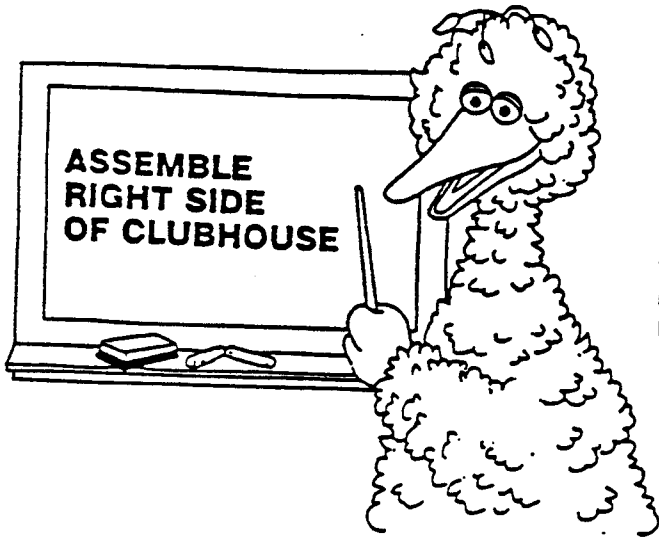
**STEP 3** Install the two hinge brackets at the top of each panel using two 2 3/4" bolts, washers and acorn nuts. Do not tighten at this time.

**STEP 4** Place the left side panel and left rear panel in positions shown and, with assistance, attach the fixed door panel using four 1 3/4" bolts, washers and acorn nuts.

**STEP 5** Carefully guide the lower opening on side awning over the awning support to the position shown. Place a small washer at each end of awning support and push both support ends through holes at tops of each panel. Using pliers, secure by placing twist caps onto both ends of awning support. Let the awning hang free for now.

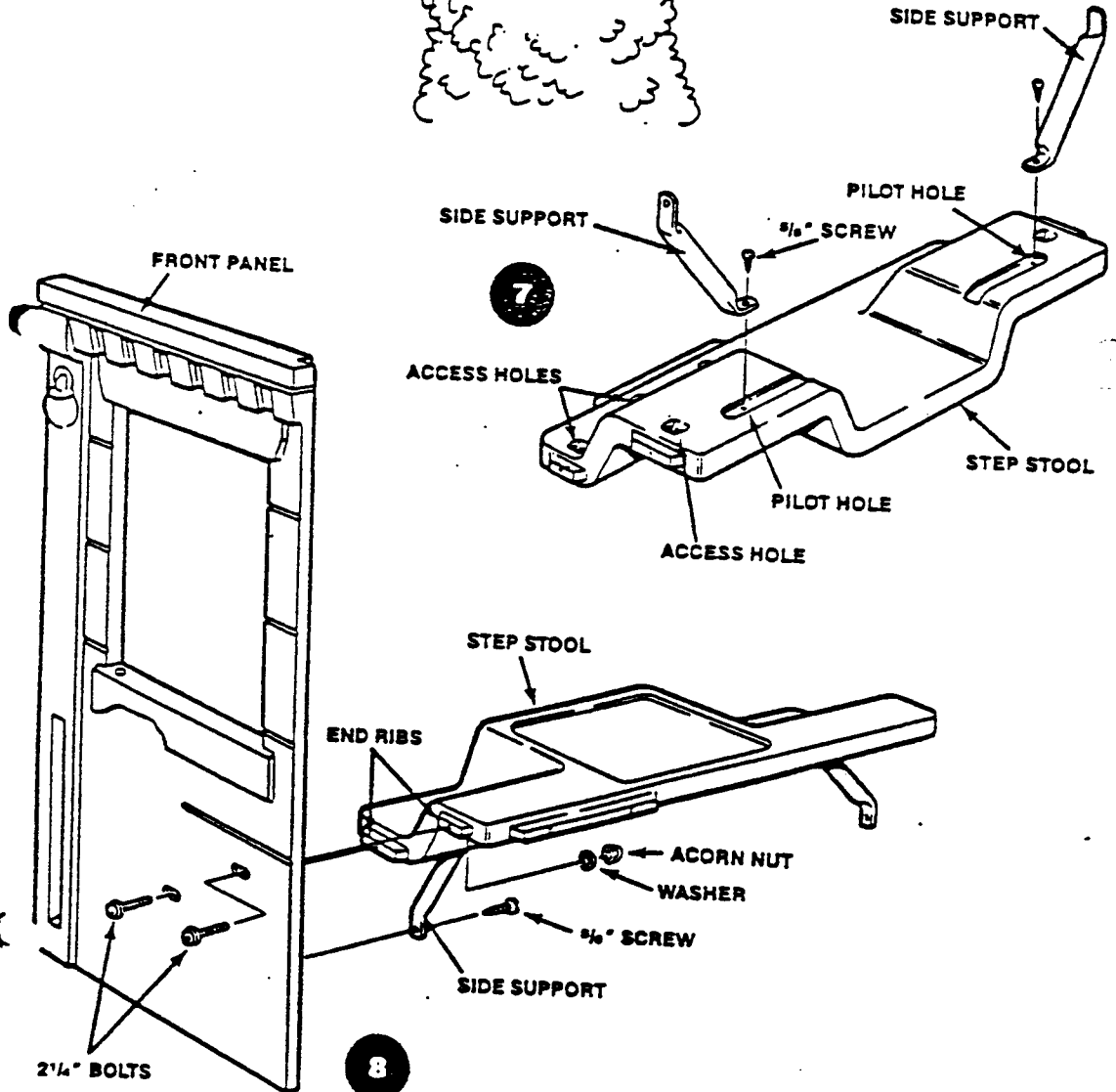
**STEP 6** Attach the hinged door panel to the left rear panel by inserting the top pivot pin into hinge bracket hole and sliding bottom pivot pin into lower hole. Then, tighten the hinge bracket bolt and acorn nut securely.





**STEP 7** Place step stool in position shown. Push two  $\frac{3}{16}$ " screws through each side support hole and drive into pilot holes.

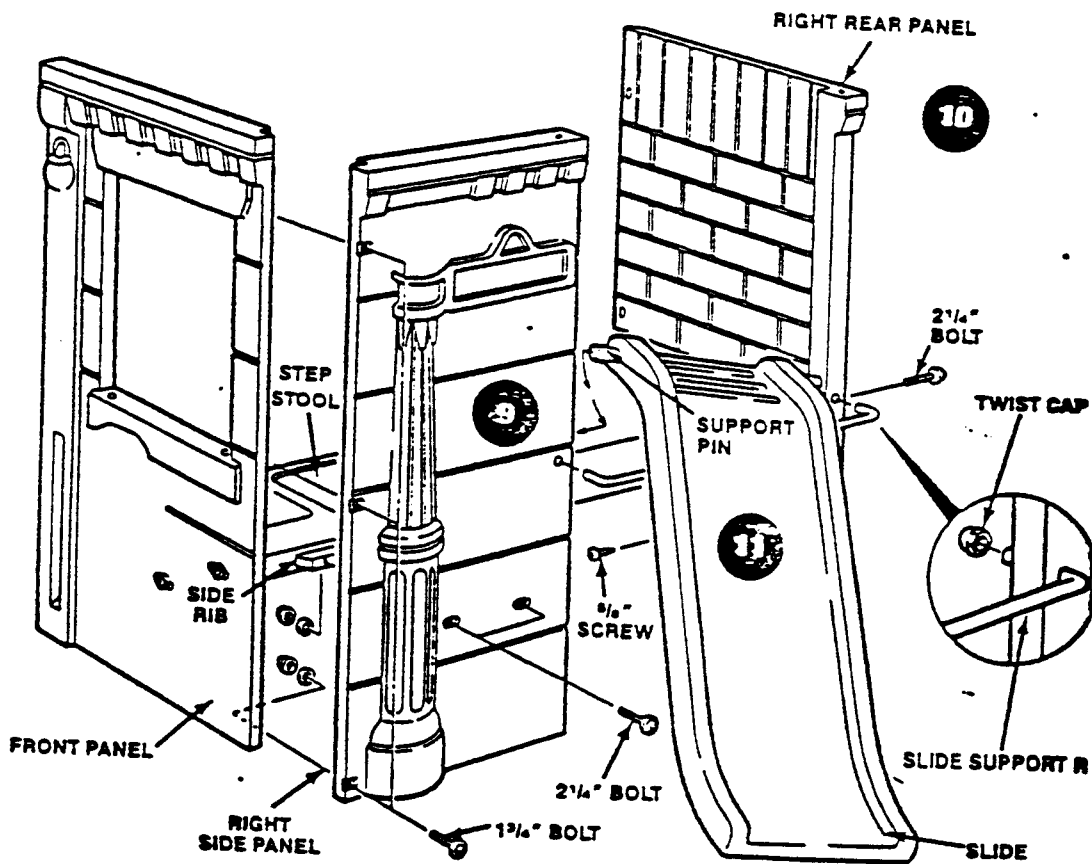
**STEP 8** Stand the front panel in upright position and, with assistance, insert the two end ribs on step stool into the slots on inside of front panel. Insert two  $2\frac{1}{4}$ " bolts into front panel as shown. Turn the assembly on its side to gain access to under side of step stool. Place washer and acorn nut onto each bolt. Tighten securely. Drive a  $\frac{3}{16}$ " screw through the side support and into pilot hole in front panel. Do not overtighten.



**STEP 9** Place the right side panel into position against the front panel. Align the side rib on the step stool with the groove in the side panel and push together. Insert three  $1\frac{3}{4}$ " bolts into the three holes along the side of the panel. Insert two  $2\frac{1}{4}$ " bolts into lower holes in panel. Place acorn nuts and metal washers into each of the access holes and attach to bolts. Tighten securely.

**STEP 10** Install two  $2\frac{1}{4}$ " bolts through the right rear panel into the end ribs on step stool. Attach acorn nuts and washers to bolts. Tighten securely. Drive a  $\frac{5}{16}$ " screw through other side support and into pilot hole in right rear panel. Do not overtighten.

**STEP 11** Insert slide support into holes in right panel and rear panel. Using pliers, secure by placing twist caps onto both ends of slide support. Install slide by positioning the support pin into the hole in the right rear panel. Then slide the left support pin down the inside of the right side panel into place.



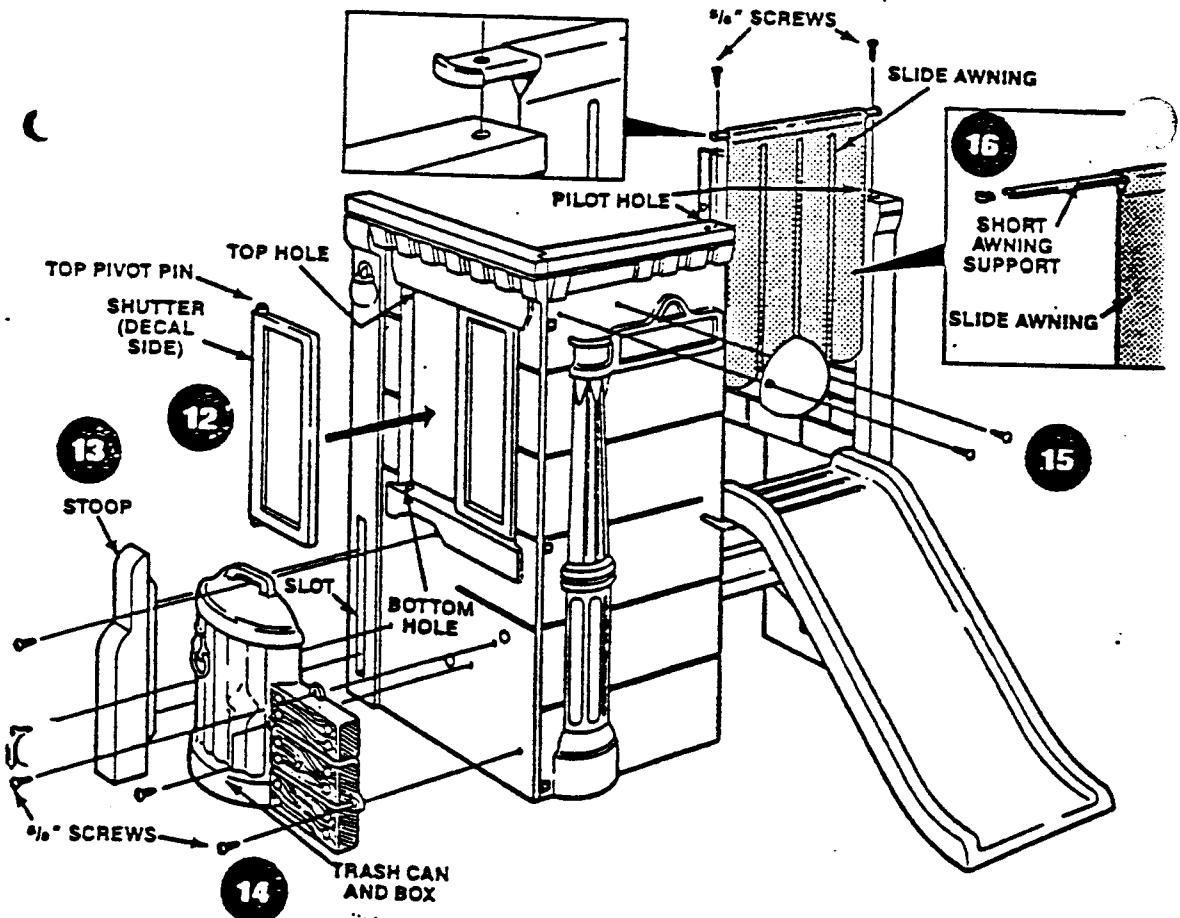
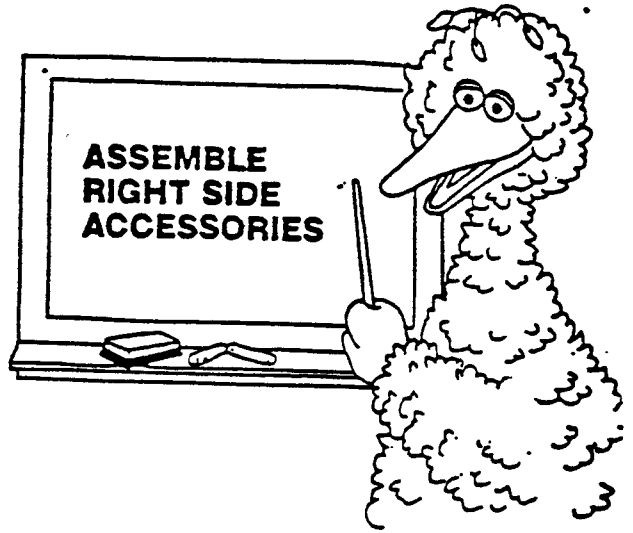
**STEP 12** Install shutters by positioning the top pivot pin into the top hole. Then slide the bottom pin into bottom hole.

**STEP 13** Push stoop into slot in front panel as shown. Drive two  $\frac{1}{8}$ " screws from inside front panel. Do not overtighten.

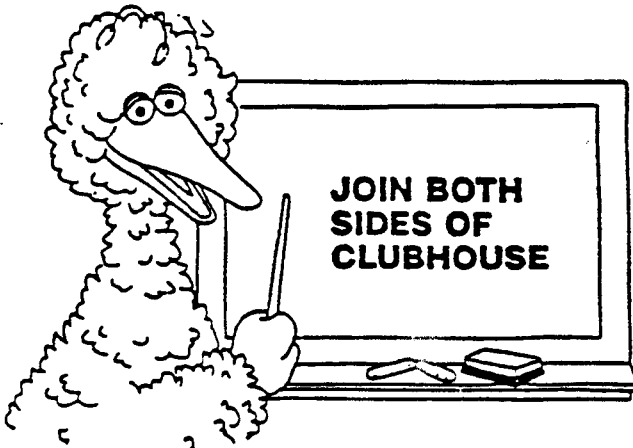
**STEP 14** Place trash can and box into position on front panel. Drive five  $\frac{1}{8}$ " screws into pilot holes. Do not overtighten.

**STEP 15** Place globe above lamp post on right side panel and drive two  $\frac{1}{8}$ " screws into pilot holes. Do not overtighten.

**STEP 16** Install protective end caps on each end of short awning support. Push the slide awning support through the opening in the awning as shown. Locate the two pilot holes at the top of the two panels as shown. Drive two  $\frac{1}{8}$ " screws through each end of the assembly and tighten. Do not overtighten.







**JOIN BOTH SIDES OF CLUBHOUSE**

**STEP 19** Place door step in position as shown. Align holes and insert plastic pins on each side of step and tap ink place with a hammer until fully seated.

**STEP 20** Prior to attaching the roof, fill the left and right panels with sand if clubhouse is to be used outdoors. Install fill plugs into both holes.

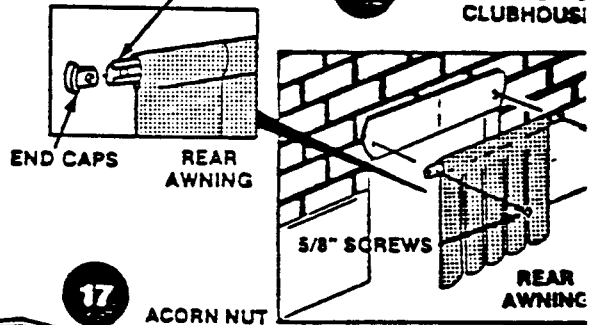
**STEP 17** Align the holes in the rear panels and insert two 1 3/4" bolts. Place washers and acorn nuts on bolts and tighten securely.

**STEP 18** Install protective end caps on each end of support. Push the rear awning support through the opening in the awning as shown. Locate the two holes in the support and drive two 5/8" screws through each end of the assembly into the molded panels and tighten. Do not overtighten.

AWNING SUPPORT (STRAIGHT) LONG

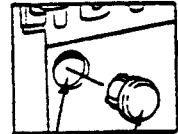
**18**

REAR VIEW OF CLUBHOUSE



**20**

LEFT PANEL



FILL HOLE

FILL PLUG (2)

NOTE: THE OTHER FILL HOLE IS LOCATED DIRECTLY OPPOSITE IN RIGHT PANEL BEHIND LAMP-POST.

**17**

ACORN NUT  
WASHER

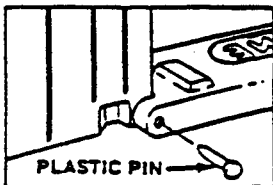
1 3/4" BOLT

PLASTIC PIN

FILL HOLE

**19**

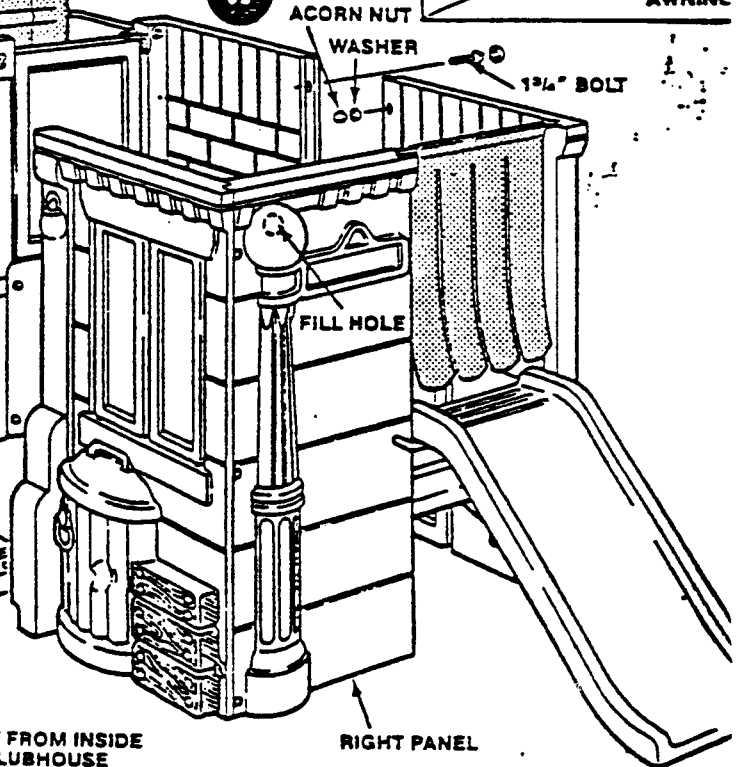
DOOR STEP



PLASTIC PIN

VIEW FROM INSIDE CLUBHOUSE

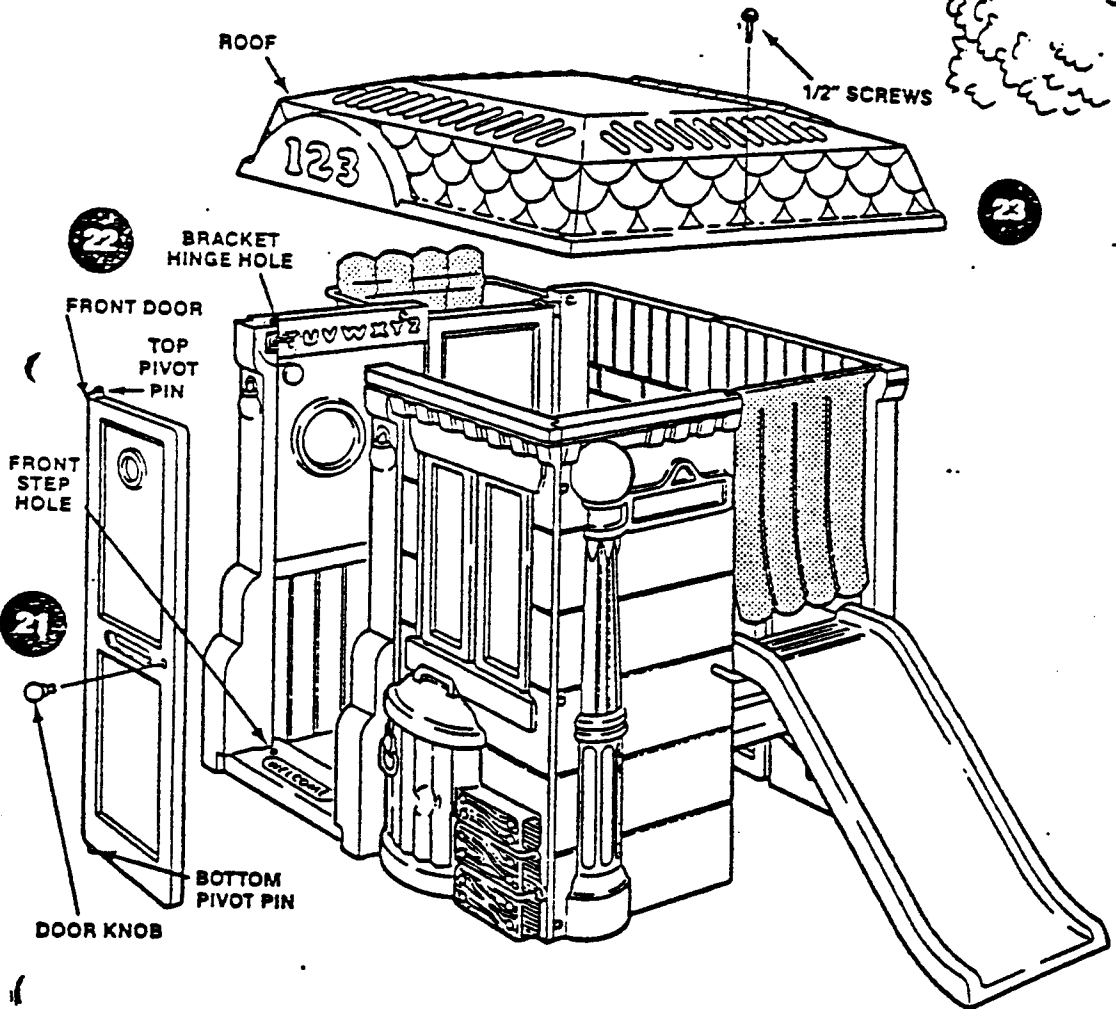
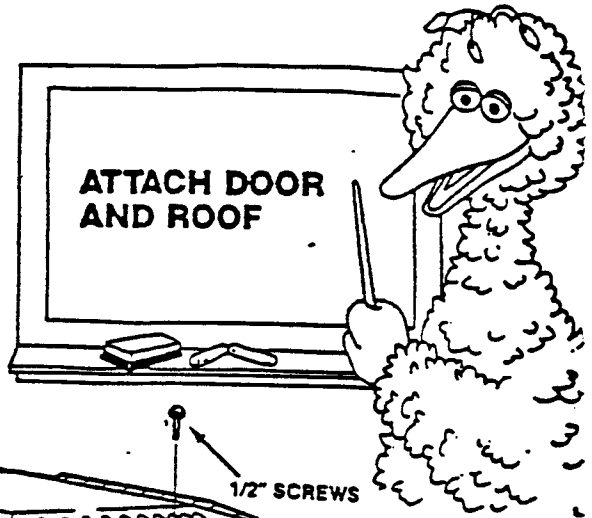
RIGHT PANEL



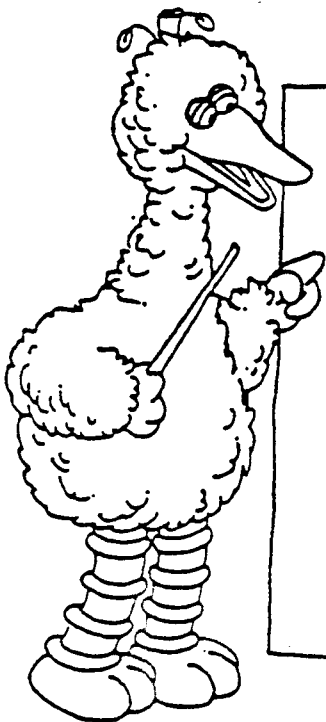
**STEP 21** Push door knob into hole in front door until fully seated.

**STEP 22** Insert top pivot pin on door into hinge bracket hole. Slide the bottom pivot pin along the front step until pin is seated in hole. Then, securely tighten hinge bracket bolt, leaving slight gap at top.

**STEP 23** Install roof onto clubhouse by driving eight 1/2" screws directly into molded panels as shown. Do not over-tighten. (There are no corresponding holes in panels)



PLEASE RETAIN THIS GUIDE AND ALL LITERATURE FOR FUTURE REFERENCE.



**DEAR PARENTS:**

**PLEASE GO OVER THESE RULES WITH YOUR CHILDREN  
UNTIL THEY UNDERSTAND THEM WELL.  
THEN, LET THEM GO OFF INTO THEIR  
OWN SESAME STREET DELUXE CLUBHOUSE.**


**SAFETY INSTRUCTIONS**

- 1. I WILL NOT HANG ON DOOR OR SHUTTERS**
- 2. I WILL NOT CLIMB ONTO THE ROOF**
- 3. I WILL ALWAYS SLIDE DOWN THE SLIDE FEET FIRST.**
- 4. I WILL NOT HANG OR PULL ON AWNINGS.**

**PARENTS PLEASE NOTE:**

**ADULT SUPERVISION SHOULD BE PRESENT  
DURING PLAY.**

©1988 Children's Television Workshop Sesame Street MUPPETS ©1986 Muppets, Inc. Sesame Street and the Sesame Street sign are trademarks and service marks of Children's Television Workshop. The Sesame Street product was produced by Playskool, Inc. in conjunction with the Children's Television Workshop, producers of SESAME STREET. Workshop revenues from this product will be used to support CTW educational projects.

*Featuring*  *Sesame Street Muppets*



**©1988 Playskool, Inc., a subsidiary of Hasbro, Inc. All Rights Reserved.  
Made and Printed in U.S.A.**

**P/N 40018300**