

CTW

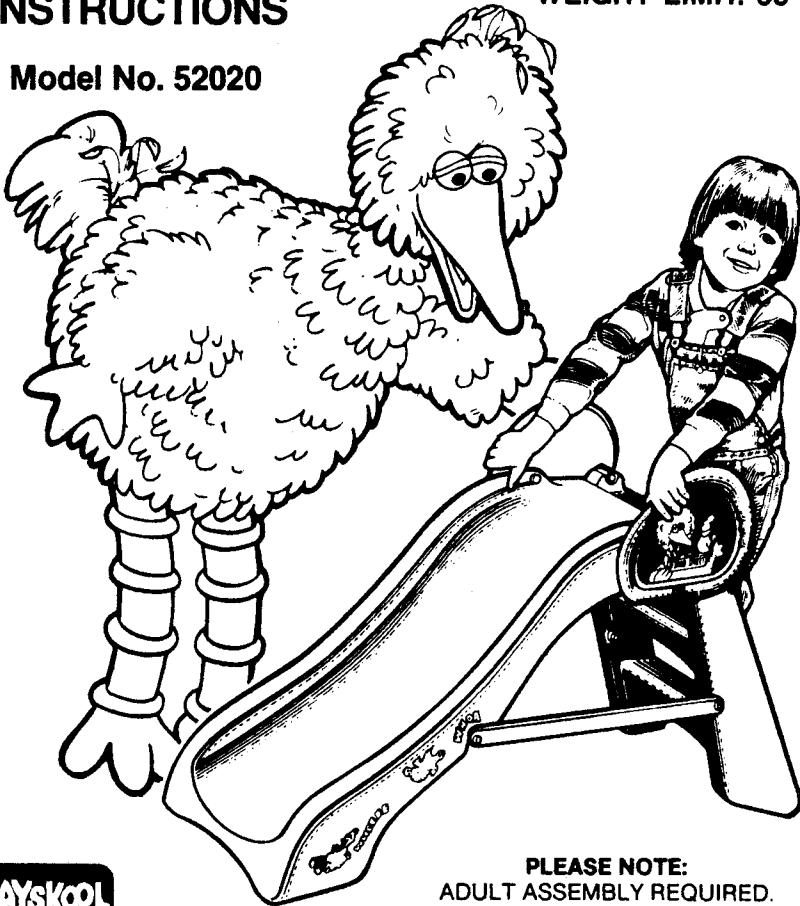
# SESAME STREET<sup>®</sup>

## SLIDE

### ASSEMBLY INSTRUCTIONS

AGES: 1½ to 4  
WEIGHT LIMIT: 55 LBS

Model No. 52020



**PLAYSKOOL**<sup>®</sup>

**PLEASE NOTE:**  
ADULT ASSEMBLY REQUIRED.  
READ INSTRUCTIONS PRIOR TO ASSEMBLY.

### IMPORTANT

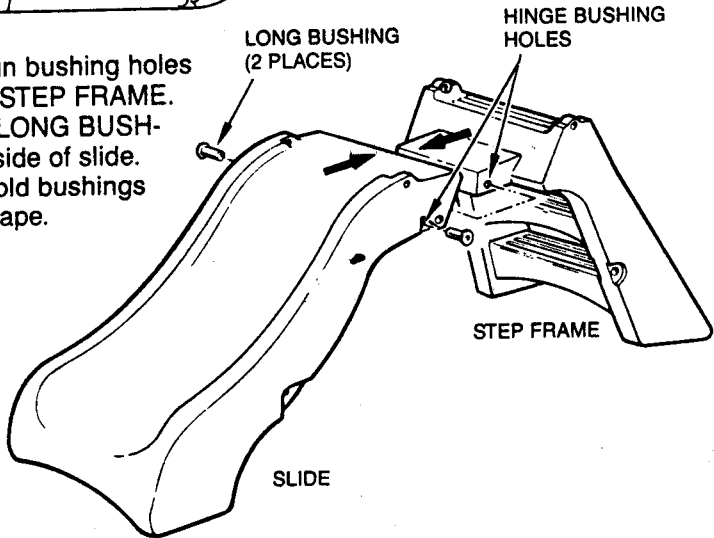
ADULT SUPERVISION REQUIRED. PLACE SLIDE ON A FIRM, SOLID BASE. DO NOT PLACE NEAR OBSTRUCTIONS. DO NOT SET UP OVER GRAVEL, CONCRETE OR ROUGH SURFACE. READ CAREFULLY BEFORE USING. SEE INSTRUCTIONS FOR FULL ASSEMBLY AND MAINTENANCE.



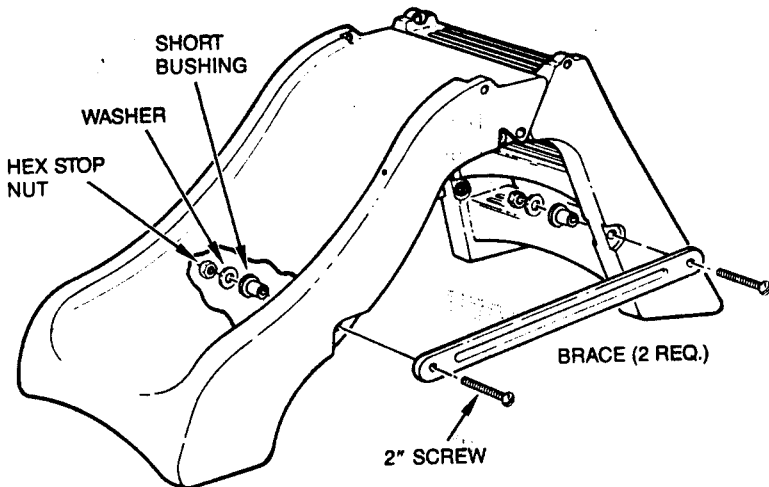
# ASSEMBLY INST

TOOLS REQUIRE  
MEDIUM REGULAR AND PHILLIPS SC

**STEP 1:** Align bushing holes in SLIDE and STEP FRAME. Insert one (1) LONG BUSHING on each side of slide. Temporarily hold bushings in place with tape.

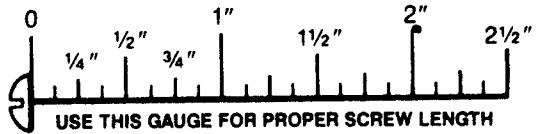


**STEP 2.** Insert SHORT BUSHINGS into side of slide as shown. (Two places each side.) Align brace holes with bushing holes and insert screws. Turn screws through holes, WASHER and HEX STOP NUT. Do not over-tighten screws.

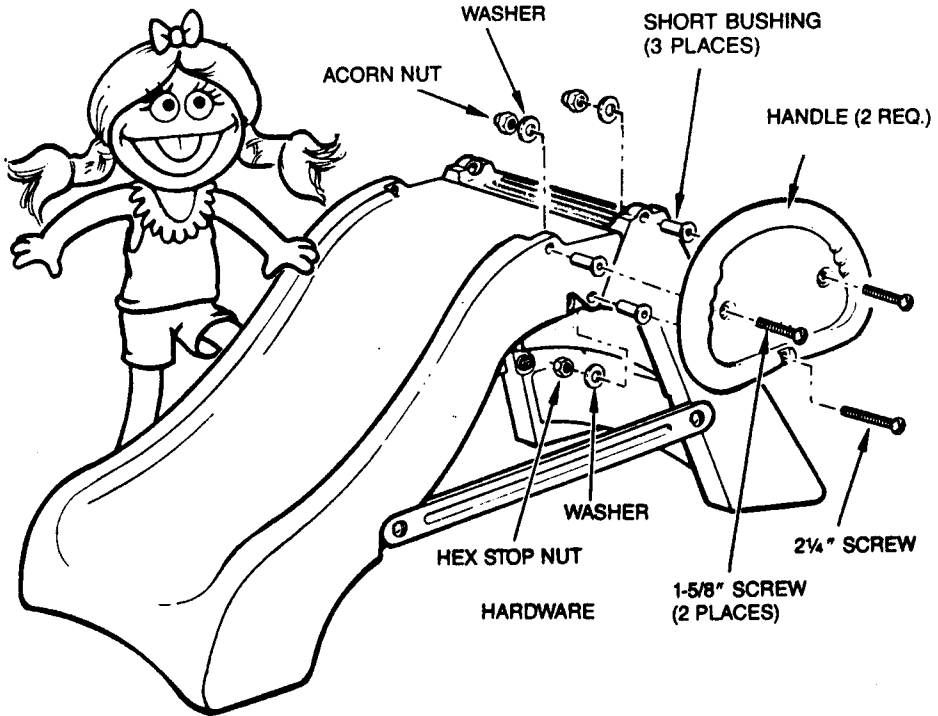


# INSTRUCTIONS

RED:  
REWDRIVER AND PLIERS.



**STEP 3.** Insert three (3) **SHORT BUSHINGS** in side of slide. Insert one (1) screw through lower hole in handle and lower bushing in slide. Secure with **WASHER** and **HEX STOP NUT**. Align upper holes in handle with bushings in slide. Insert two (2) screws through handle and bushings. Secure with **WASHERS** and **ACORN NUTS**. Attach other handle in same manner.



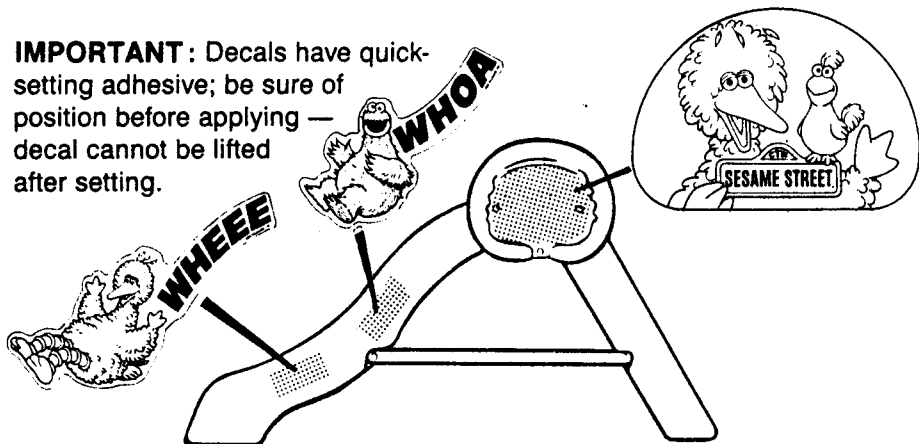
## IMPORTANT NOTE TO ADULTS

THIS SLIDE SHOULD NOT BE USED FOR ANYTHING OTHER THAN ITS INTENDED PURPOSE. DO NOT USE AS A STEP LADDER. CLIMB ONE PERSON AT A TIME. OBSERVE ALL SAFETY CAUTIONS TO AVOID SERIOUS INJURY. PERIODICALLY CHECK ALL SCREWS AND NUTS TO BE SURE THEY ARE SECURE. PROMPTLY REPLACE ANY DAMAGED PARTS.

(CONTINUED ON NEXT PAGE)

**STEP 4.** Thoroughly wipe decal areas with clean, dry cloth before applying decals. Remove decals from decal sheet and apply to appropriate positions on slide. See illustration.

**IMPORTANT:** Decals have quick-setting adhesive; be sure of position before applying — decal cannot be lifted after setting.



**PLEASE RETAIN THIS GUIDE AND ALL LITERATURE FOR FUTURE REFERENCE.**

**PLEASE NOTE:**

Playskool Customer Service is as close as your telephone.  
 If you have any difficulty with this product,  
 Please call:  
**1-800-237-0063**

©1986 Children's Television Workshop. Sesame Street MUPPETS ©1986 Muppets, Inc. All Rights Reserved. Sesame Street and the Sesame Street sign are trademarks and service marks of Children's Television Workshop.

**SESAME STREET® INDOOR/OUTDOOR SLIDE  
 REPLACEMENT PARTS ORDER FORM**

| PART NUMBER | DESCRIPTION  | QTY. | UNIT PRICE |
|-------------|--------------|------|------------|
| 40288600    | HARDWARE BAG | 1    | \$6.05     |
| 40288700    | DECAL SHEET  | 1    | \$3.35     |



Model No. 52020  
 P/N 40019100

©1988 Playskool, Inc., Pawtucket, RI 02862 USA,  
 a subsidiary of Hasbro, Inc. All Rights Reserved.