

PLAYSKOOL

OVER 18 months - 5 1/2 yrs.

34660

Music 'n Lights Sit 'n Spin®

Thank you for choosing this PLAYSKOOL product!

ADULT ASSEMBLY REQUIRED.

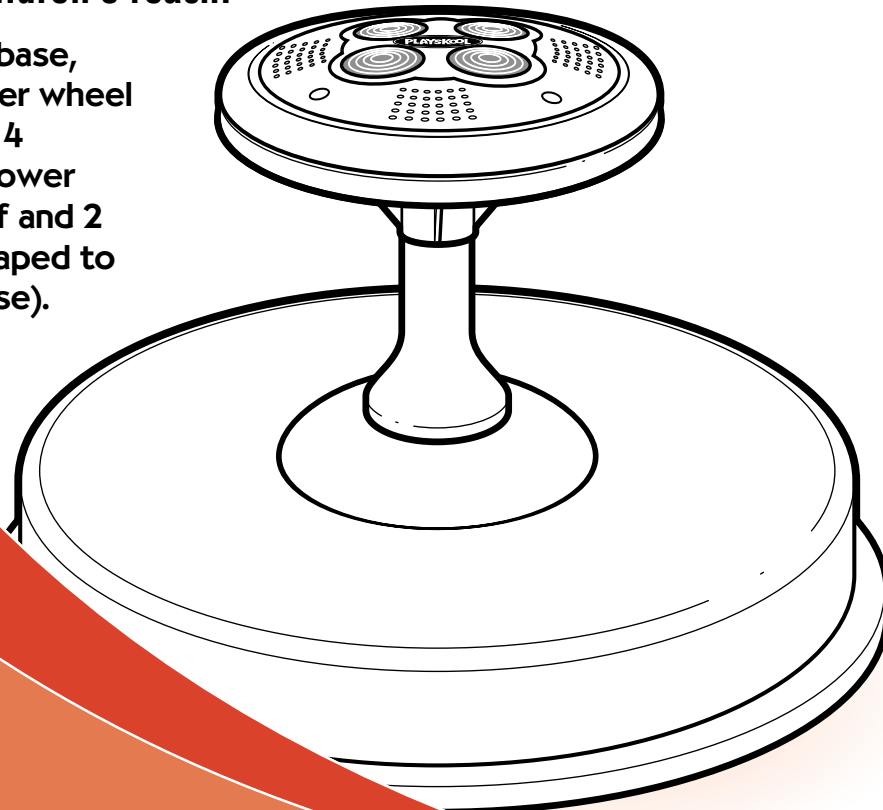
Requires 3 x 1.5V "AA"/LR6 alkaline batteries (not included).
Phillips/cross head screwdriver (not included) needed for
assembly and battery placement.

This product uses #10 (3/4") Phillips head sheet metal
screws. Replacement screws, if needed, are available at
most hardware stores.



CAUTION: Keep small parts necessary for assembly
out of children's reach.

Includes: base,
post, upper wheel
half (with 4
screws), lower
wheel half and 2
screws (taped to
top of base).

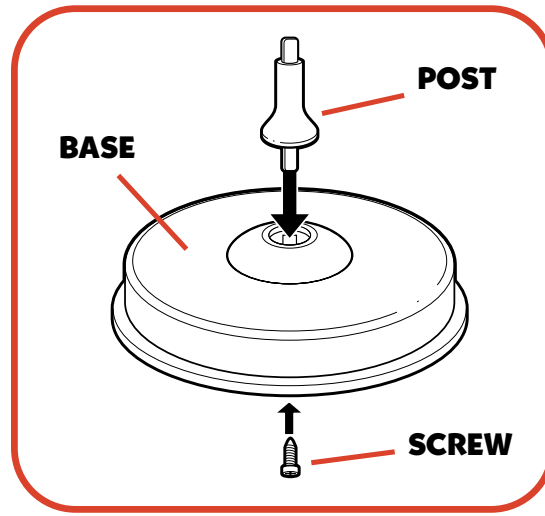


ASSEMBLY AND BATTERY PLACEMENT

NOTE: For proper assembly, please follow the steps in the order indicated (1-4):

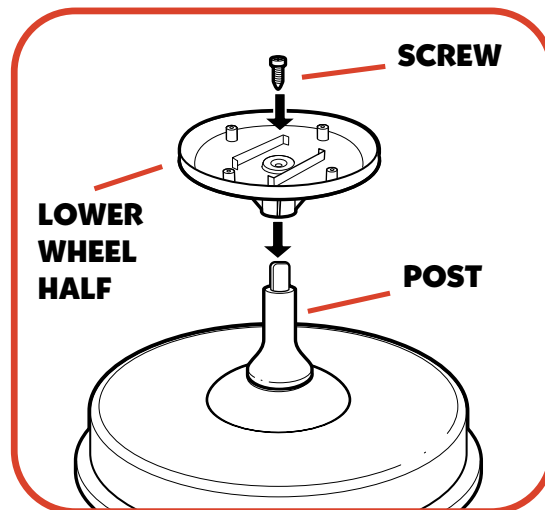
STEP 1

Remove 2 screws taped to top of base. Insert wide end of post into top of base. Flip base upside down, and push down on base until post touches bottom of base. Tighten screw into hole in base bottom to secure post to base.



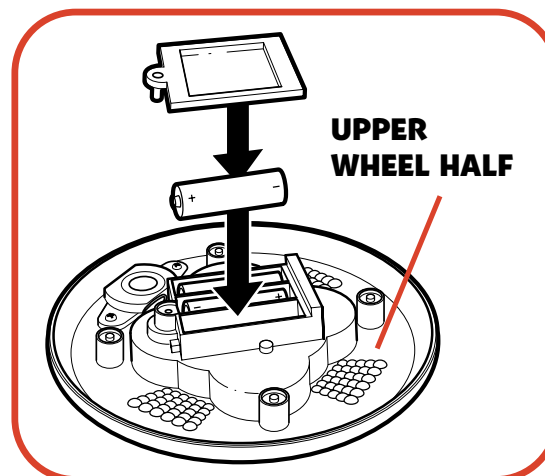
STEP 2

Press lower wheel half firmly onto top of post. Be sure that post is through wheel half bottom as far as it can go. Tighten screw into middle hole in lower wheel half to secure it to post.



STEP 3

To install batteries, locate battery compartment under upper wheel half. With Phillips/cross head screwdriver, loosen screw in battery compartment cover (screw stays attached to cover). Remove cover. Insert 3 fresh "AA"/LR6 (1.5V) alkaline batteries. Replace cover and tighten screw.



CAUTION: TO AVOID BATTERY LEAKAGE

1. Be sure to insert the batteries correctly and always follow the toy and battery manufacturers' instructions;
2. Do not mix old and new batteries or alkaline, standard (carbon-zinc) or rechargeable (nickel-cadmium) batteries;
3. Always remove weak or dead batteries from the product.

IMPORTANT: BATTERY INFORMATION

Please retain this information for future reference.

Batteries should be replaced by an adult.

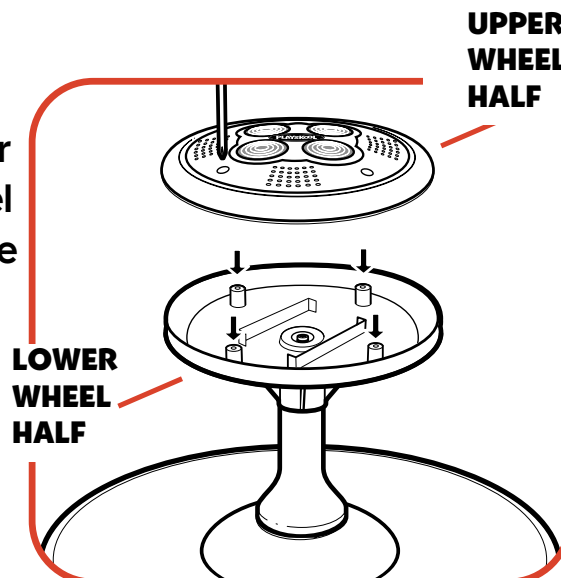
CAUTION:

1. Always follow the instructions carefully. Use only batteries specified and be sure to insert them correctly by matching the + and - polarity markings.
2. Do not mix old batteries and new batteries or standard (carbon-zinc) with alkaline batteries.
3. Remove exhausted or dead batteries from the product.
4. Remove batteries if product is not to be played with for a long time.
5. Do not short circuit the supply terminals.
6. Should this product cause, or be affected by, local electrical interference, move it away from other electrical equipment. Reset (switching off and back on again or removing and re-inserting batteries) if necessary.
- 7 **RECHARGEABLE BATTERIES:** Do not mix these with any other types of battery. Always remove from the product before recharging. Recharge batteries under adult supervision. **DO NOT RECHARGE OTHER TYPES OF BATTERIES.**

STEP 4

Fit upper wheel half onto lower wheel half, aligning screws on upper wheel half with holes in lower wheel half. Tighten the 4 screws to secure wheel halves.

Note: Check to be sure that all assembled parts are securely attached before using the toy.



PLAY FEATURES

- Sit on the base, then turn the wheel to go 'round and 'round!
- Press any of the 4 red buttons on the top of the wheel to activate the music and lights. Plays 1 of 6 rockin' songs with every press. You can also change from one song to another by pressing the top of the wheel.

FCC STATEMENT

This equipment has been tested and found to comply with the limits for a Class B digital device, pursuant to part 15 of the FCC Rules. These limits are designed to provide reasonable protection against harmful interference in a residential installation. This equipment generates, uses and can radiate radio frequency energy, and, if not installed and used in accordance with the instructions, may cause harmful interference to radio communications. However, there is no guarantee that interference will not occur in a particular installation. If this equipment does cause harmful interference to radio or television reception, which can be determined by turning the equipment off and on, the user is encouraged to try to correct the interference by one or more of the following measures:

- Reorient or relocate the receiving antenna.
- Increase the separation between the equipment and the receiver.
- Consult the dealer or an experienced radio/TV technician for help.