

Music 'n Lights Sit 'n Spin®

Thank you for buying this Playskool® product!

ADULT ASSEMBLY REQUIRED.

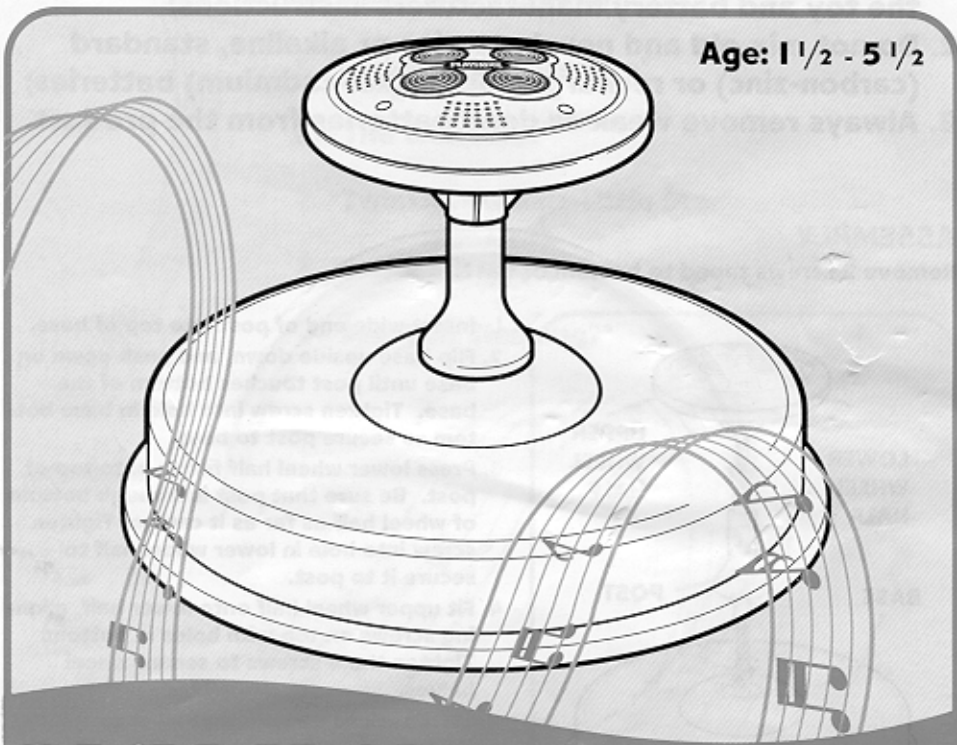
Requires 3 AA batteries, alkaline recommended (not included). Phillips screwdriver (not included) needed for assembly and battery placement.

This product uses #10 (2 cm or 3/4") Phillips head sheet metal screws. Replacement screws, if needed, are available at most hardware stores.

CAUTION:

Keep small parts necessary for assembly out of children's reach.

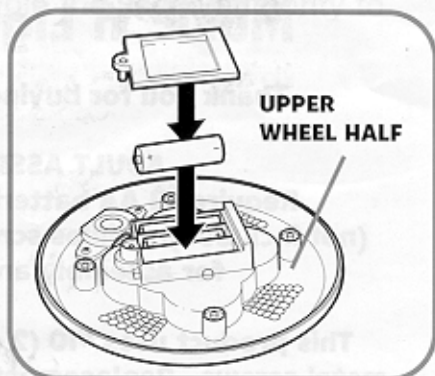
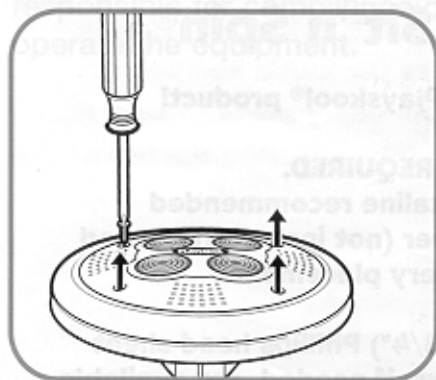
Age: 1 1/2 - 5 1/2



PLAYSKOOL



BATTERY PLACEMENT



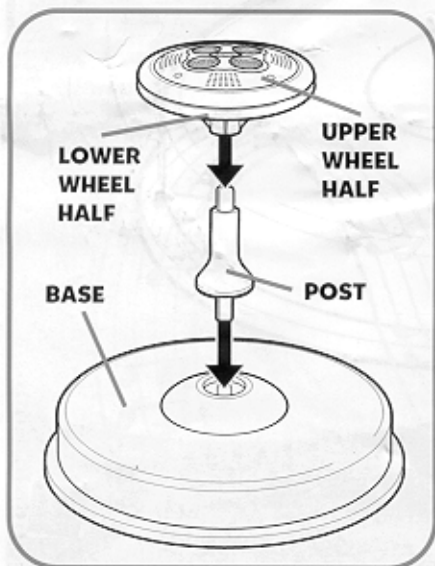
Battery compartment is located under upper wheel half. Loosen screw in battery compartment cover (screw stays attached to cover). Remove cover. Insert 3 fresh "AA" alkaline batteries. Replace cover and tighten screw.

CAUTION: TO AVOID BATTERY LEAKAGE

1. Be sure to insert the batteries correctly and always follow the toy and battery manufacturers' instructions;
2. Do not mix old and new batteries or alkaline, standard (carbon-zinc) or rechargeable (nickel-cadmium) batteries;
3. Always remove weak or dead batteries from the product.

ASSEMBLY

Remove 2 screws taped to bottom of base.



1. Insert wide end of post into top of base.
2. Flip base upside down, and push down on base until post touches bottom of the base. Tighten screw into hole in base bottom to secure post to base.
3. Press lower wheel half firmly onto top of post. Be sure that post is through bottom of wheel half as far as it can go. Tighten screw into hole in lower wheel half to secure it to post.
4. Fit upper wheel half onto lower half, aligning screws on top with holes in bottom. Tighten the 4 screws to secure wheel halves.

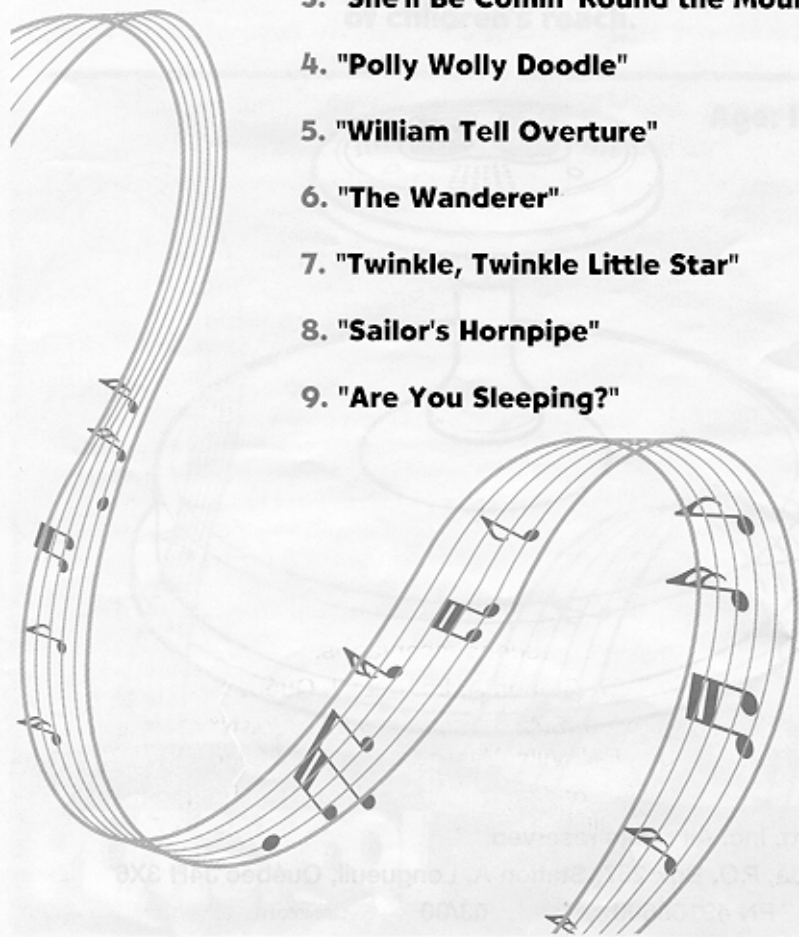
Note: Check to be sure that all assembled parts are securely attached before using the toy.

PLAY FEATURES

- **Sit on the base, then turn the wheel to go 'round and 'round!**
- **Press the top of the wheel to activate the music and lights.**
Plays 1 of 9 classic children songs with every press. You can also change from one song to another by pressing the top of the wheel.

• **Song List:**

1. **"Rockin' Robin"**
2. **"Jenny Lind Polka"**
3. **"She'll Be Comin' Round the Mountain"**
4. **"Polly Wolly Doodle"**
5. **"William Tell Overture"**
6. **"The Wanderer"**
7. **"Twinkle, Twinkle Little Star"**
8. **"Sailor's Hornpipe"**
9. **"Are You Sleeping?"**



Changes or modifications not expressly approved by the party responsible for compliance could void the user's authority to operate the equipment.



Battery compartment is located under the top of the toy. Loosen screw in battery compartment cover (screw stays attached to cover). Remove cover. Insert 2 fresh "AA" alkaline batteries. Replace cover and tighten screw.

CAUTION: TO AVOID BATTERY LEAKAGE

1. Be sure to insert the batteries correctly and always use the toy and battery manufacturer's directions.
2. Do not mix old and new batteries or alkaline, standard (carbon-zinc) or rechargeable (nickel-cadmium) batteries.
3. Always remove weak or dead batteries from the product.

ASSEMBLY

Remove 2 screws taped to bottom of toy.



© 2000 Hasbro, Inc. All rights reserved.

Hasbro Canada, P.O. Box 267, Station A, Longueuil, Québec J4H 3X6

34660

PN 49108600

03/00

12834660111