



SNO-CONE MACHINE INSTRUCTIONS

Ages: 4 & Up

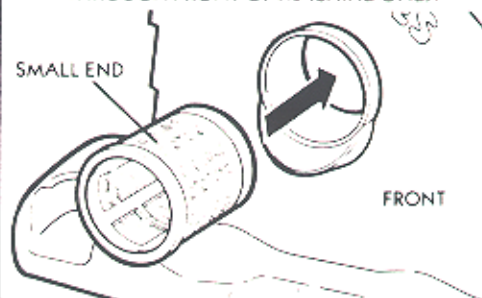
NOTE: Read this entire instruction sheet before using this product. Adult supervision may be necessary for younger children.

Get ready for a delicious frozen treat with your SNOOPY Sno-Cone Machine. It turns ordinary ice into snow! Just follow the instructions below and enjoy!

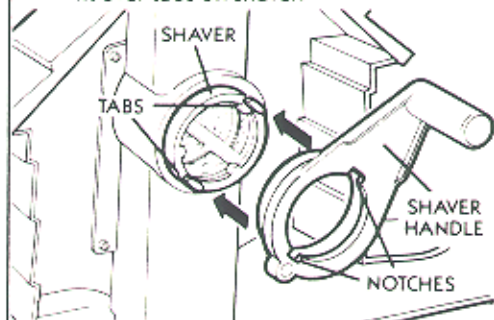
Before you start, be sure to wash all parts of the Sno-Cone machine thoroughly in warm water. **DO NOT WASH THE SNOOPY SNO-CONE MACHINE IN DISHWASHER OR IN HOT WATER.**

INCLUDES: Sno-Cone Machine, shaver, shaver handle, locking cap, Snoopy ice pusher/syrup bottle, syrup bottle cap, FLA-VOR-AID® soft drink mix, paper cups, shovel scoop, labels, and anti-skid pads

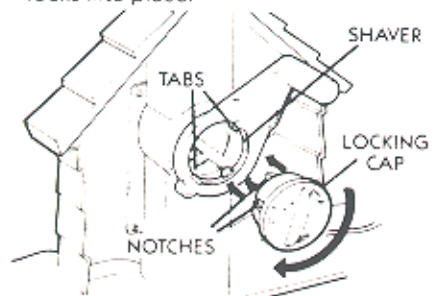
- 1** Fit small end of shaver through hole in front of Sno-Cone Machine as shown. **VERY IMPORTANT - INSERT SHAVER THROUGH FRONT OF MACHINE ONLY.**



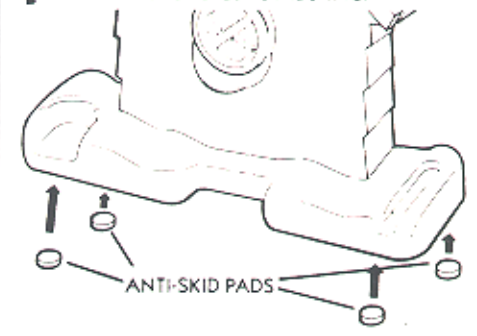
- 2** Fit shaver handle into hole in rear of Sno-Cone machine so that notches on handle fit over tabs on shaver.



- 3** While holding front rim of ice shaver, fit notches on locking cap between tabs on shaver. Turn locking cap clockwise until it locks into place.



- 4** Peel and apply anti-skid pads to bottom corners of Sno-Cone Machine.



- 5** Peel and apply labels as shown.





SNO-CONE MACHINE INSTRUCTIONS

Ages: 4 & Up

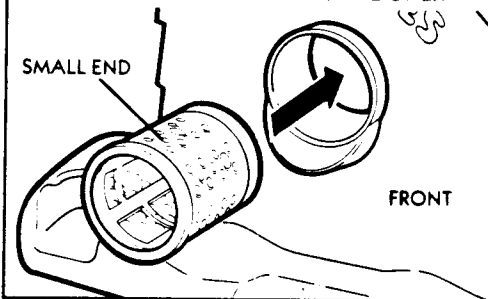
NOTE: Read this entire instruction sheet before using this product. Adult supervision may be necessary for younger children.

Get ready for a delicious frozen treat with your SNOOPY Sno-Cone Machine. It turns ordinary ice into snow! Just follow the instructions below and enjoy!

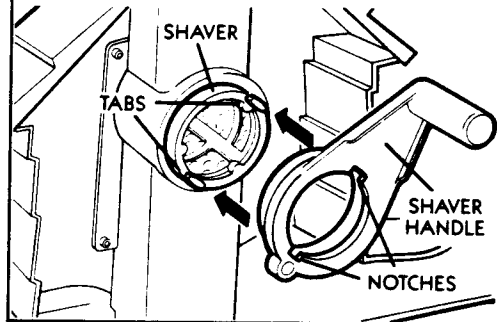
Before you start, be sure to wash all parts of the Sno-Cone machine thoroughly in warm water. DO NOT WASH THE SNOOPY SNO-CONE MACHINE IN DISHWASHER OR IN HOT WATER.

INCLUDES: Sno-Cone Machine, shaver, shaver handle, locking cap, Snoopy ice pusher/syrup tube, syrup bottle cap, FLA-VOR-AID® soft drink mix, paper cups, shovel scoop, labels, and anti-skid pads

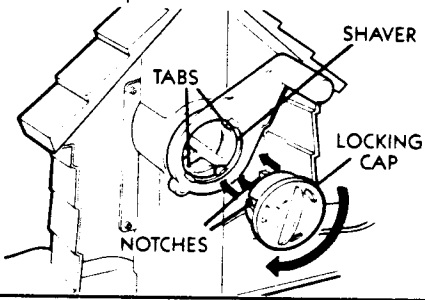
- 1** Fit small end of shaver through hole in front of Sno-Cone Machine as shown. **VERY IMPORTANT - INSERT SHAVER THROUGH FRONT OF MACHINE ONLY.**



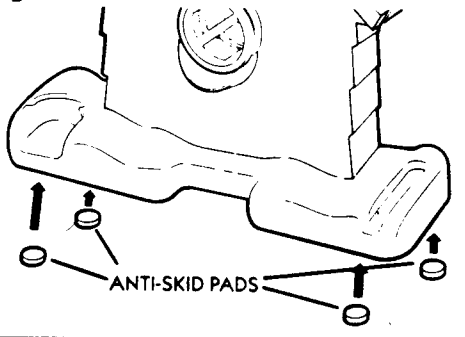
- 2** Fit shaver handle into hole in rear of Sno-Cone machine so that notches on handle fit over tabs on shaver.



- 3** While holding front rim of ice shaver, fit notches on locking cap between tabs on shaver. Turn locking cap clockwise until it locks into place.



- 4** Peel and apply anti-skid pads to bottom corners of Sno-Cone Machine.



- 5** Peel and apply labels as shown.



HOW TO MAKE FLAVORING

1. Combine 1 cup of sugar (to taste), 1/2 cup water and 1 envelope of FLA-VOR-AID® flavoring syrup in a mixing bowl. Stir ingredients until sugar and flavoring are completely dissolved.
2. Pour syrup carefully into SNOOPY syrup bottle. Fit syrup bottle top onto SNOOPY syrup bottle. Be sure bottle top is on securely. **DO NOT FILL BOTTLE ABOVE NECKLINE.**

HOW TO MAKE SNO-CONES

3. Drop ONE ice cube into the ice chute. Fit SNOOPY into the top of the ice chute with his feet facing forward as shown. **VERY IMPORTANT - SNOOPY MUST BE INSERTED WITH HIS FEET FACING FORWARD. USE ONLY 1 ICE CUBE AT A TIME.**
4. Turn shaver handle clockwise about 6 times without applying pressure on SNOOPY. Now, while still turning the handle, gently push down on SNOOPY and ice shaving will begin. **VERY IMPORTANT - PUSHING DOWN ON SNOOPY BEFORE TURNING SHAVER HANDLE MAY CAUSE JAMMING AND DAMAGE TO THE SHAVER.**

The shaver handle will turn easily or hard depending on the amount of pressure you apply to SNOOPY. With a little practice, you will learn to apply just the right amount of pressure. Keep turning the handle clockwise until the ice cube is gone.

5. Once you have enough ice shavings to make a Sno-Cone, use the scoop to shovel ice shavings into one of the paper cups.
6. Squeeze SNOOPY syrup bottle to sprinkle FLA-VOR-AID flavoring over the ice shavings until saturated. Now, you're ready to enjoy!

WASHING AND CLEANING INSTRUCTIONS

7. To clean your Sno-Cone Machine, rinse with warm (not hot) water and wipe dry. If further cleaning is desired, remove the shaver handle from the machine. After each use, shake out any water or ice particles left in the machine.

ADDITIONAL HINTS AND SUGGESTIONS

Additional packets of FLA-VOR-AID flavoring can be purchased at your supermarket or grocery store.

You can also try filling an ice cube tray with lemonade or any fruit juice and freezing it. Now, place the cubes, one at a time, into the machine and grate. This way you can make flavored snow with or without extra syrup flavoring.



©PEANUTS Characters: ©1950, 1952, 1958, 1965 United Feature Syndicate, Inc.
FLA-VOR-AID® manufactured by the Jel Sert Company, West Chicago, Illinois 60185

©1992 Kid Dimension, Inc., a subsidiary of Hasbro, Inc.,
Pawtucket, RI 02862 USA. All Rights Reserved.
® denotes U.S. Pat. & TM Office.
MADE IN CHINA.