

PLAYSKOOL
baby

Soft Glow

5565

Birth & up

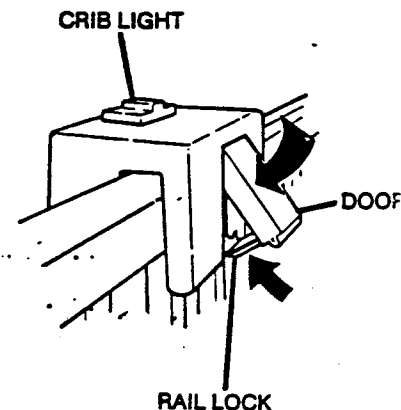
Crib Light

INSTRUCTIONS

CRIB LIGHT INSTALLATION

NOTE: Crib Light is not intended for use as a night light. Leaving the light on through the night may shorten the life of the light bulb.

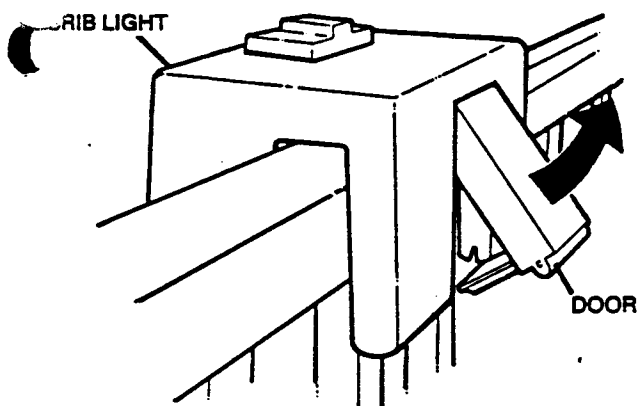
1. Lift up door on back of Crib Light. Press Crib Light down onto crib rail.
NOTE: Lens should face the inside of crib. Swing door down and slide rail lock up until it presses securely against bottom of rail.



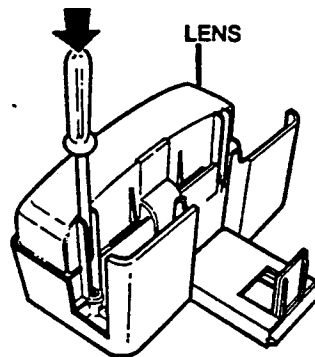
REPLACING THE BATTERIES

For this you'll need: a Phillips screwdriver, two 1½ volt "C" cell alkaline batteries

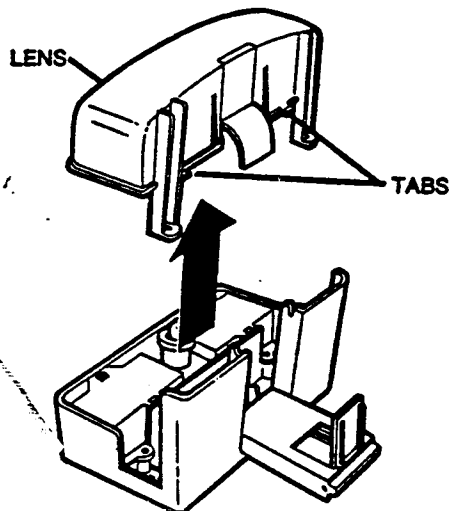
1. To remove Crib Light from crib rail, lift door up and pull Crib Light up and off rail.



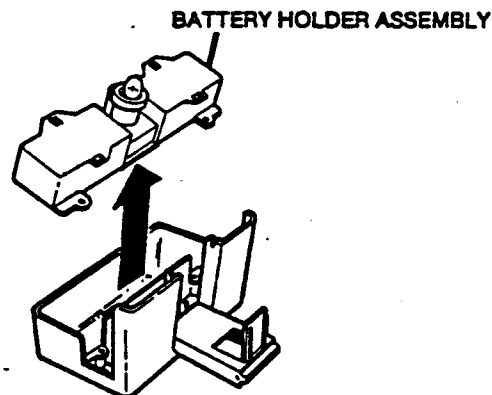
2. Place Crib Light so lens is facing up. With a Phillips screwdriver, remove the 2 screws located on bottom of lens brackets.



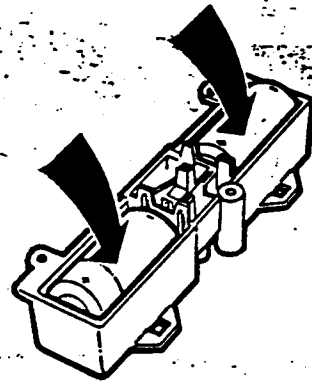
3. Squeeze lens to free lens tabs and remove.



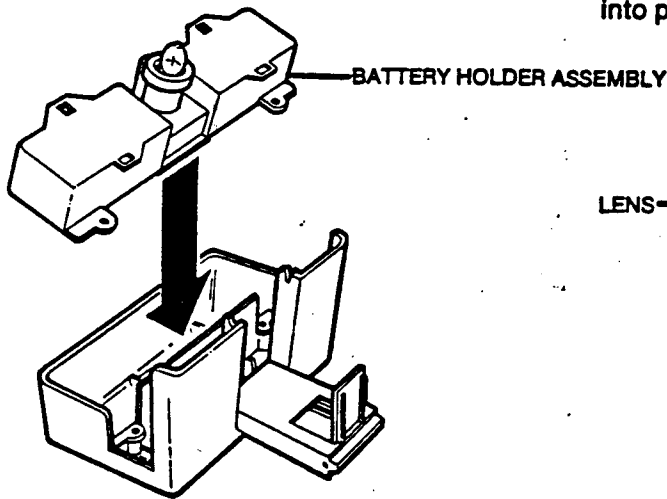
4. Remove screw from battery holder assembly and lift out battery holder assembly.



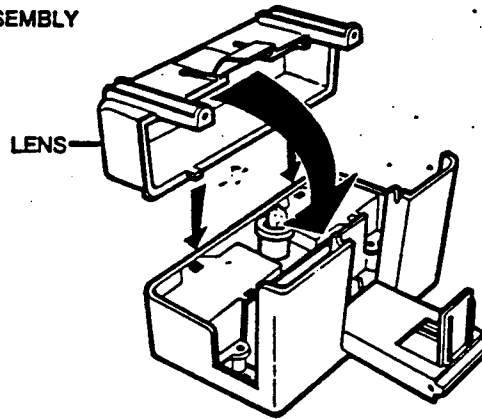
5. Replace batteries. (Positive and negative symbols indicate proper placement of batteries.)



6. Fit battery holder assembly back into place and re-insert screw.



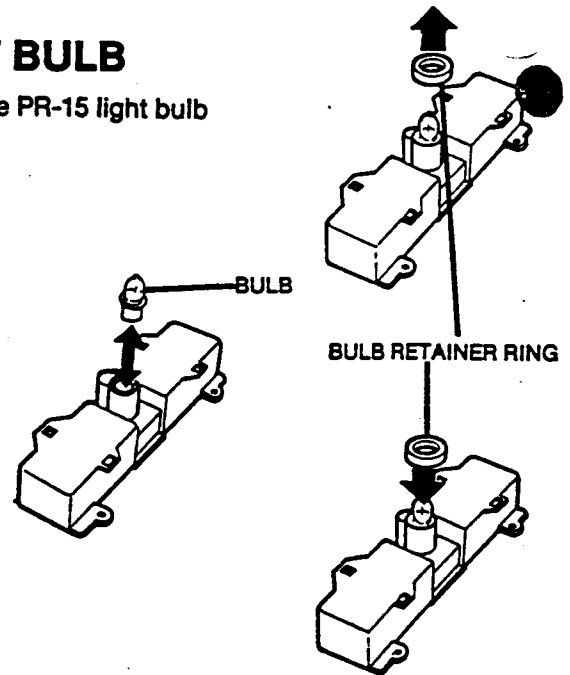
7. Fit lens back into place by inserting lens tabs into slots and rotating lens down until it snaps into place. Re-insert lens bracket screws.



REPLACING THE LIGHT BULB

For this you'll need: a Phillips screwdriver, one PR-15 light bulb

1. Remove Crib Light from crib and remove lens as explained in steps 1-3 of REPLACING THE BATTERIES section.
2. Remove bulb retainer ring by prying it off bulb holder tabs and over bulb.
3. Remove old bulb and replace with new bulb.
4. Re-fit bulb retainer ring onto bulb holder tabs.
5. Re-fasten lens as explained in step 7 of REPLACING THE BATTERIES section.



CAUTION: TO AVOID BATTERY LEAKAGE

1. Be sure to insert the batteries correctly and always follow the toy and battery manufacturer's instructions.
2. Never mix old batteries and new batteries, or standard (carbon - zinc) with alkaline batteries.
3. Always remove exhausted or dead batteries from the product.