



Soft-Stop Guard™

Rectal Digital Thermometer

9265
Ages: Birth to 2 yrs.

INSTRUCTIONS

FOR RECTAL USE ONLY SAVE THESE INSTRUCTIONS

Thank you for purchasing Playskool's Soft-Stop Guard Rectal Digital Thermometer. This durable, clinically accurate thermometer is a precision instrument that will register a proper body temperature when used correctly. Our unique Soft-Stop Guard helps prevent over-insertion. The soft guard makes temperature taking more comfortable for children and helps adults feel more secure when measuring a child's temperature.

To obtain an accurate temperature, please read the following instructions carefully.

PRECAUTIONS

1. Do not use thermometer for purposes other than measuring body temperature. Other uses may result in damage to the thermometer.
2. To help keep thermometer working accurately, avoid dropping or rough handling.
3. Keep thermometer away from high humidity, extreme temperatures and direct sunlight.
4. Do not disassemble other than to clean or change the battery.
5. Do not bend the sensor or probe.
6. Do not spill chemicals or boiling water on the thermometer.
7. Do not let liquids enter the thermometer through the temperature display, on/off switch or battery case cover opening.
8. Always wipe the thermometer with a tissue dampened in alcohol after each use. Dry thermometer before replacing the cap and guard.
9. Child's temperature should always be taken under adult supervision.
10. If guard becomes cracked, discard immediately.
11. Keep out of reach of children. This is not a toy.

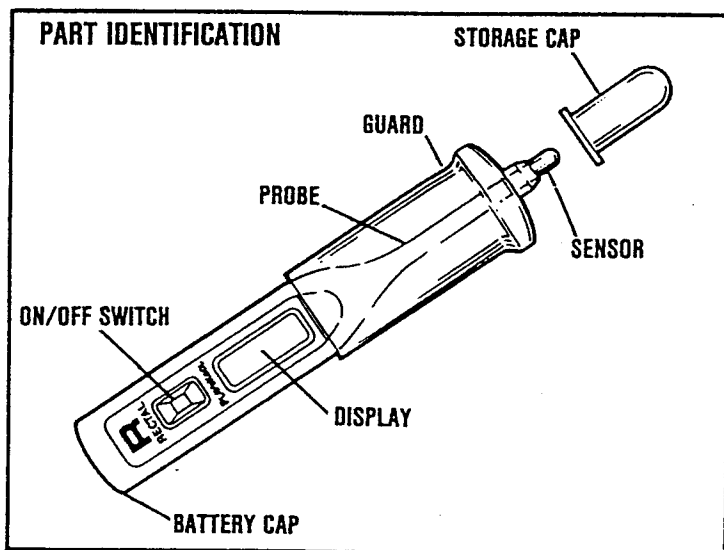
TAKING BODY TEMPERATURE

Body temperature is an important sign of illness, so it must be measured accurately. Carefully read and follow the instructions below, even if you are familiar with taking temperatures with glass or other thermometers. Make sure that the person taking the temperature understands body temperature.

BODY TEMPERATURE

A child's normal temperature will be between 97.5°F and 100.5°F. The highest temperature usually occurs in the afternoon, from several tenths to one full degree higher than in the morning.

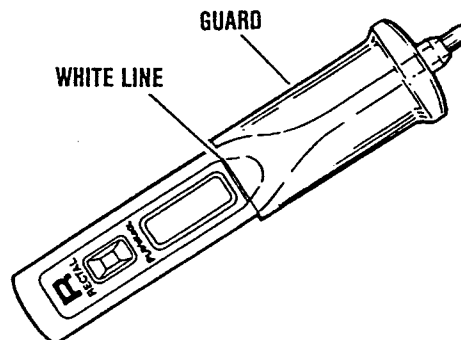
To determine the child's correct body temperature, take his or her temperature in the early morning and late afternoon over several days. A rectal temperature is a little more than 1/2°F higher than an oral reading. When taking a child's temperature, always use the same method to determine if the child's temperature has gone up or down.



PLACING GUARD ON THERMOMETER

Insert probe end of thermometer into guard, until white line on thermometer reaches end of guard, as shown.

NOTE: Do not use other manufacturers' probe covers in conjunction with the Soft-Stop Guard.



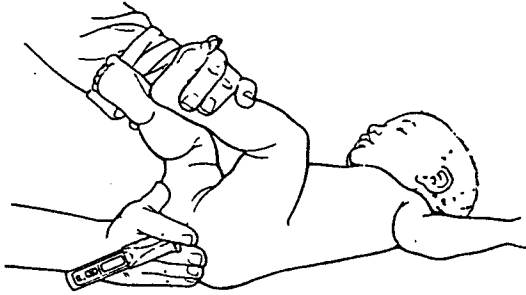
TEMPERATURE DISPLAY SYMBOLS

Lo °F Appears when the thermometer sensor temperature is below 94.1°F.
Hi °F Appears when the thermometer sensor temperature is above 108.5°F.

HOW TO TAKE CHILD'S TEMPERATURE

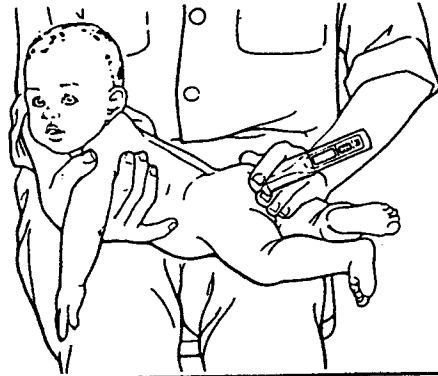
1. Wipe sensor and guard with alcohol or soapy water and rinse in cold water.
2. Press ON/OFF switch to turn thermometer on. The display should show the symbol Lo°F.
3. Lubricate sensor and tip of guard with a water soluble lubricant jelly.
4. Insert thermometer with attached guard approximately 1/2" until guard flange rests gently against child's buttocks. See RECTAL METHOD A or B. **CAUTION: Do not force the probe deeper into rectum. This could damage or puncture the colon.**

RECTAL METHOD A: Lay child on his or her back, and pick up child's heels as if you were changing a diaper. Gently insert thermometer tip (lubricated with water soluble jelly) into the rectum.



RECTAL METHOD B: Lay child across your lap, placing one hand underneath child and grabbing child's far shoulder for support. Hold thermometer between your first and second fingers. Gently insert thermometer tip (lubricated with water soluble jelly) into rectum. Keep thermometer in place by resting the palm of your hand on child's buttocks. Do not grip thermometer too firmly.

5. The thermometer will "beep" when it reaches the child's highest rectal temperature, and the °F symbol will stop flashing. The thermometer retains the highest temperature it has measured on the display and is not affected by a sudden drop in temperature when the thermometer is removed from the rectum.



BATTERY REPLACEMENT

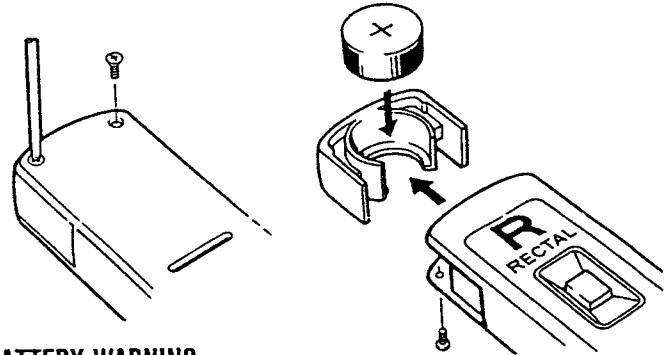
Battery Life:

Display becomes faint when battery power is low, and battery must be replaced. To avoid damage to thermometer, replace weak battery immediately.

To Replace Battery:

Soft-Stop Guard Rectal Digital Thermometer uses one 1.5 volt battery, G13 type, available in local jewelry, camera or hearing aid stores.

1. Using a small Phillips head screwdriver, remove the two screws from the back of the thermometer.
2. Remove the battery case cover from the end of the thermometer.
3. Replace the existing battery with a new battery as shown. Make sure positive side is facing up.
4. Place battery case cover on thermometer and replace screws.
5. If a reading appears on display, press ON/OFF switch to clear display.



BATTERY WARNING:

KEEP BATTERY OUT OF REACH OF CHILDREN. BATTERY MAY BE HARMFUL IF SWALLOWED. BE SURE TO KEEP BATTERY COMPARTMENT COVER TIGHTLY CLOSED AT ALL TIMES. IF BATTERY IS SWALLOWED, CONTACT YOUR PHYSICIAN IMMEDIATELY.

MAKE SURE THE BATTERY IS INSERTED PROPERLY. DO NOT RECHARGE, OR DISPOSE OF BATTERY IN A FIRE AS IT MAY EXPLODE.

WASHING INSTRUCTIONS: Wipe sensor and tip of guard with alcohol or soapy water and rinse thoroughly with cold water. The guard can be removed if more thorough cleaning is desired.

SPECIFICATIONS

Liquid Crystal Display

Measuring Range: 89.6°F - 109.4°F

Resolution: 0.1°F

Accuracy: ±0.2°F between 98.0°F to 102.0°F

Highest temperature hold feature: Thermometer holds and displays highest temperature reached during each measurement

Battery: one 1.5 volt battery, G13 type

Power consumption: 0.00008W

Auto-power off function: 16 minutes

Automatic ready signal: Thermometer beeps when highest temperature is reached (approximately 60 seconds)

Weight: 10g including battery