

Remove all pieces from plastic bag and discard bag immediately.

What's needed: Phillips® screwdriver.

3 766
12 mos. & up

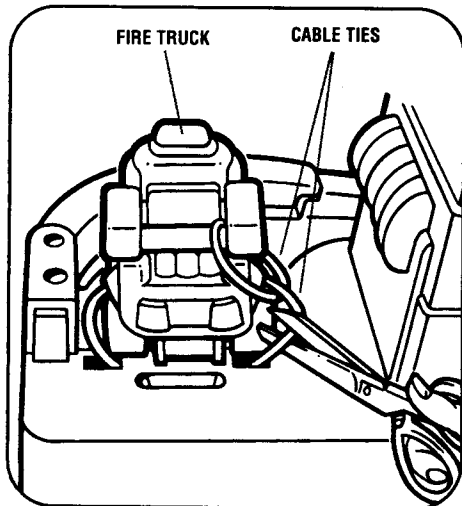


Sound 'n Light Fire Station

Thank you for purchasing the Playskool® Sound 'n Light Fire Station! Please save this instruction sheet for future reference. If you have any questions, comments or concerns about this product, please call Playskool toll-free at 1-800-PLAYSKL.

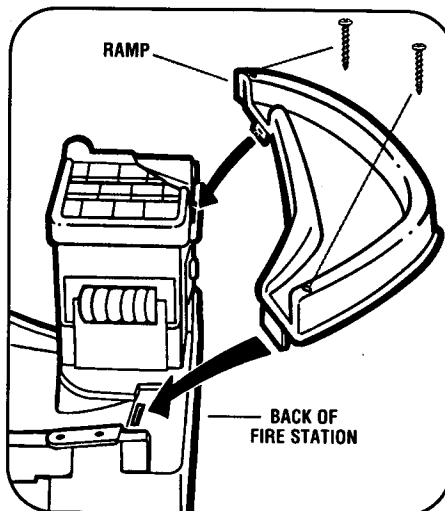
Includes Sound 'n Light Fire Station with batteries, ramp, ramp support, 4 screws, fire truck, and instruction sheet.

To Remove Fire Truck

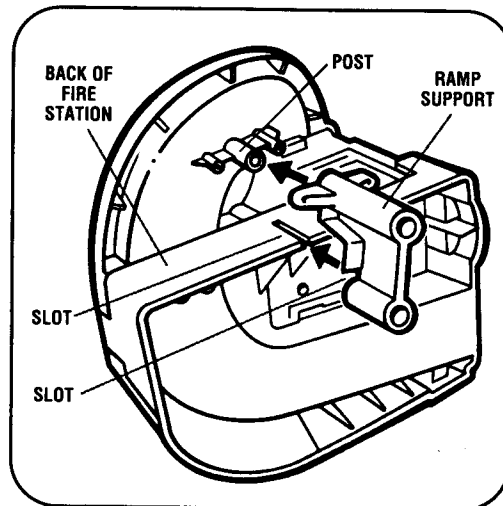


Cut cable ties and remove.

Assembly

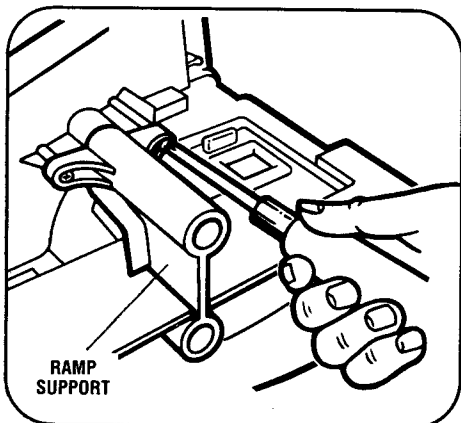


1. Snap tab on top of ramp into slot in fire station, then snap tab on bottom of ramp into slot. Insert a screw into each end of ramp and tighten with a Phillips screwdriver.



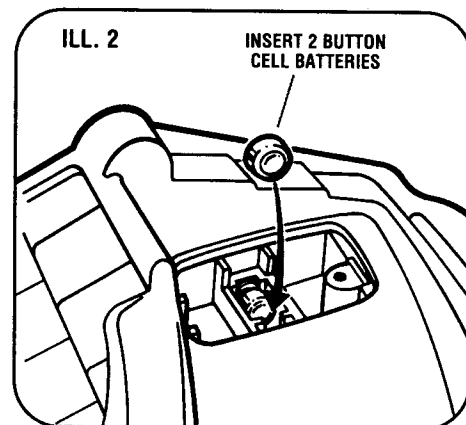
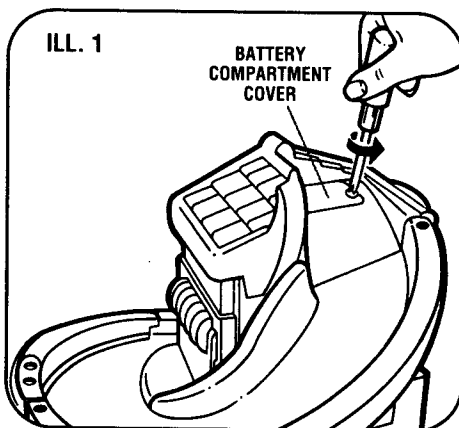
2. With back of fire station facing you, tilt fire station up to locate slot for ramp support. Align slot in ramp support with slot in fire station. Slide support up into slot in fire station until firmly in place, making sure post on ramp slides into hole in support.

Assembly (Cont'd)



3. Insert a screw into each hole in ramp support and tighten with a Phillips screwdriver.

To Replace Batteries



Note: Button cell batteries are included in the toy. When the batteries are exhausted, replace them with 2 fresh A-76 (or equivalent) button cell batteries, as follows:

1. Loosen screw on battery compartment cover located on top of fire station, and remove cover (Ill. 1).
2. Remove and discard the exhausted batteries. Place 2 fresh button cell batteries into compartment as shown (Ill. 2).
3. Replace battery compartment cover, and retighten screw.



For future reference, our toll-free consumer service number is also located on this product.

Product and colors may vary.

©1993 Playskool, Inc., Pawtucket, RI 02862 USA, a subsidiary of Hasbro, Inc. All Rights Reserved. ®denotes Reg. U.S. Pat. & TM Office
ELECTRONIC COMPONENT MADE IN CHINA. ALL OTHER COMPONENTS MADE IN U.S.A.
5769 P/N 45187400

CAUTION: TO AVOID BATTERY LEAKAGE

1. As with all small batteries, the batteries included with this toy should be kept away from small children who still put things in their mouths. If they are swallowed, promptly see a doctor and have the doctor call (202) 625-3333 collect.
2. Be sure to insert the batteries correctly and always follow the toy and battery manufacturers' instructions.
3. Never mix old batteries and new batteries, or standard (carbon-zinc) with alkaline batteries.
4. Always remove exhausted or dead batteries from the product.
5. Remove batteries if stored for a long period of time.
6. Batteries may explode or leak if recharged, disassembled or heated.