

AGES 3+
06707

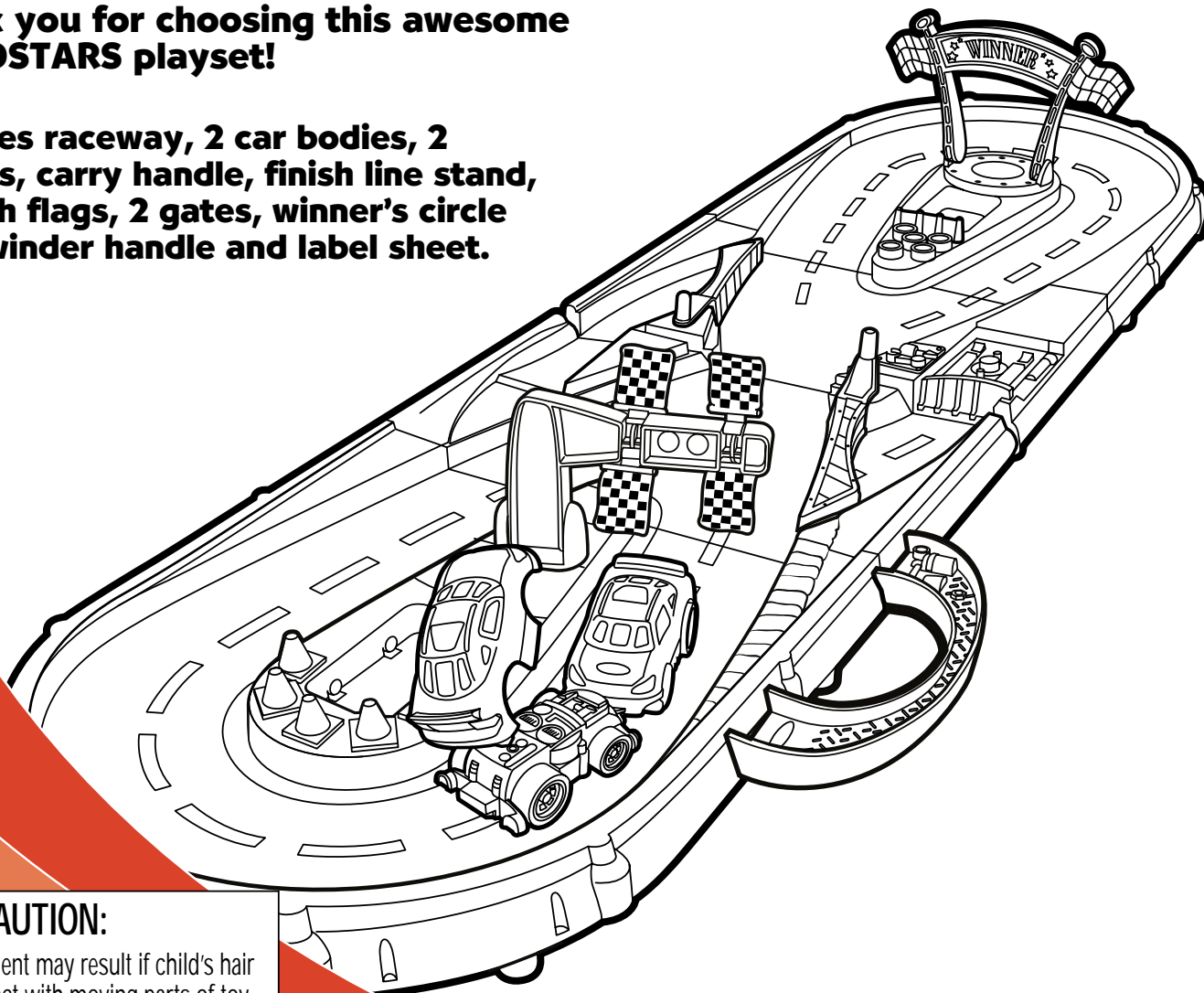
PLAYSKOOL[®]

SPEEDSTARS★[™]

Maximum Thrills Raceway[™]

**Thank you for choosing this awesome
SPEEDSTARS playset!**

**Includes raceway, 2 car bodies, 2
chassis, carry handle, finish line stand,
2 finish flags, 2 gates, winner's circle
flag, winder handle and label sheet.**



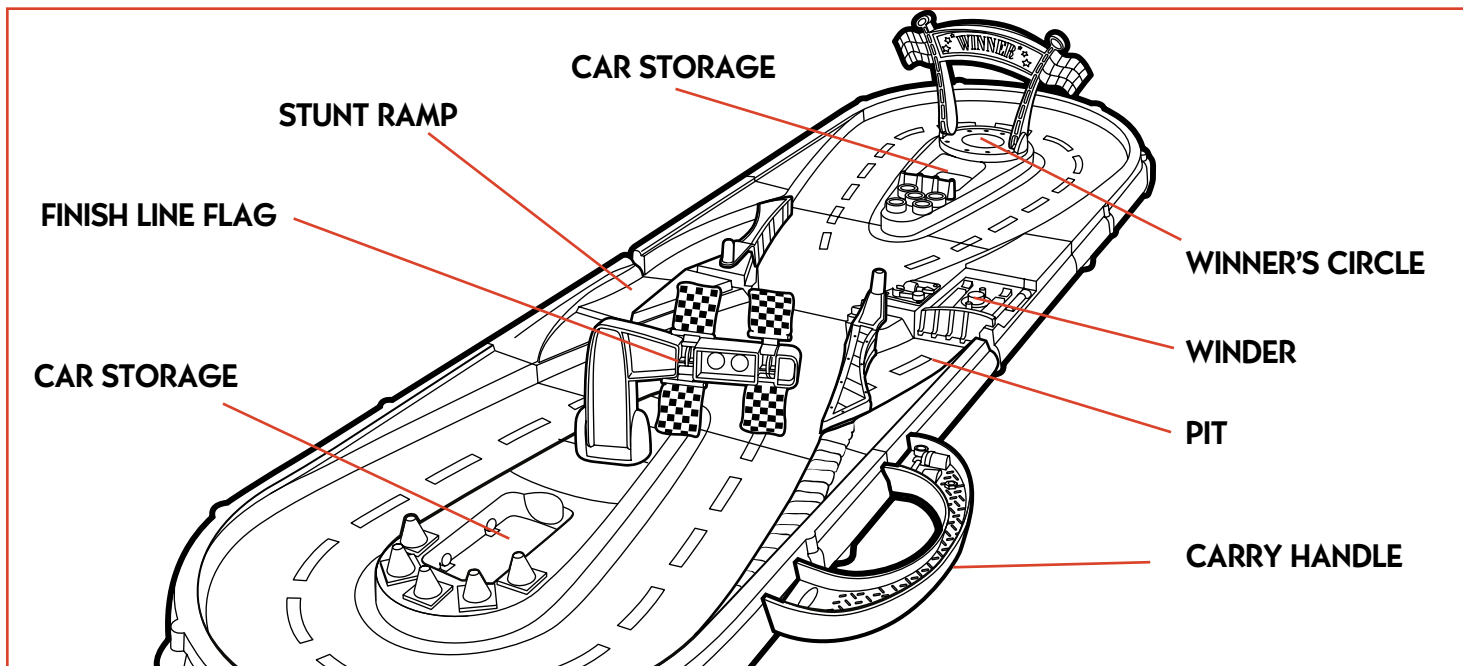
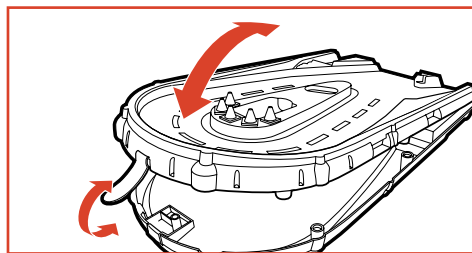
CAUTION:

Hair entanglement may result if child's hair comes in contact with moving parts of toy. Adult supervision is required.

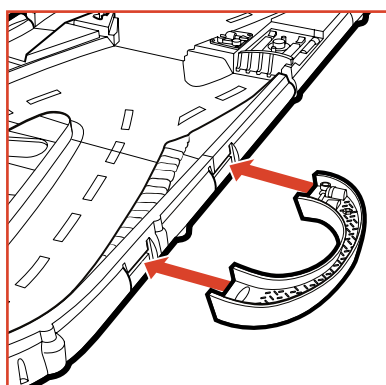
Adult Assembly Required.

ASSEMBLY

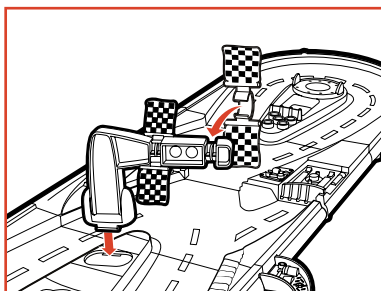
Unfasten fabric fastener and unfold your exciting SPEEDSTARS MAXIMUM THRILLS RACEWAY playset!



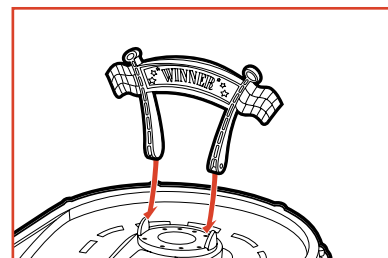
1. Snap carry handle onto raceway (listen for click).



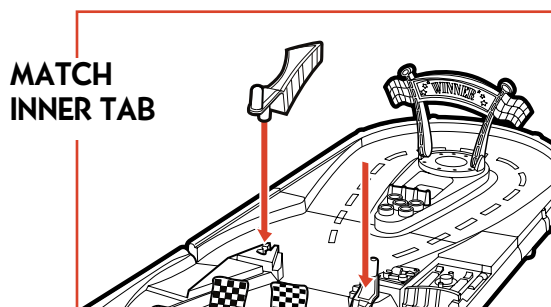
2. Snap 2 finish flags onto stand. Snap stand onto track. MATCH "T" TAB ON STAND WITH "T" SLOT ON TRACK.



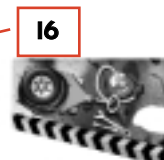
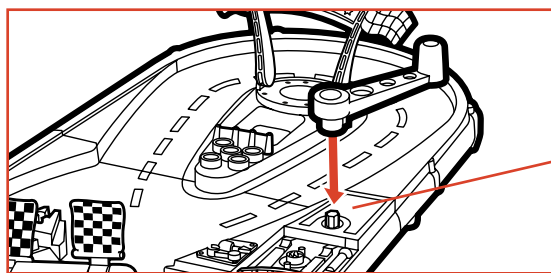
3. Fit tabs on winner's circle legs into holes in bracket on raceway. (Squeeze legs to fit them inside bracket, then press outward to snap them into place.)



4. Snap 2 gates onto raceway (listen for click).

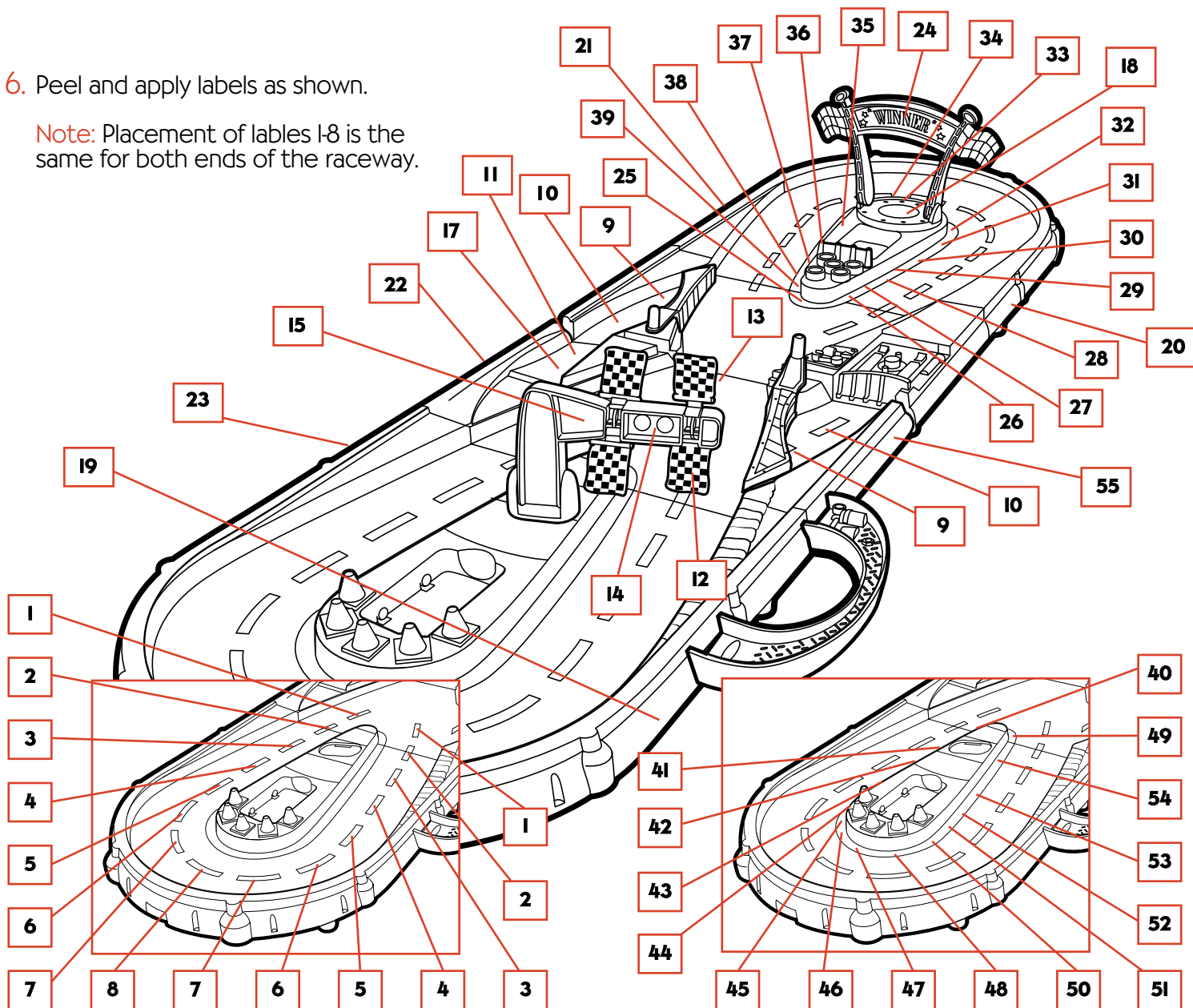


5. Apply label 16 before winder handle assembly. Snap winder handle onto built-in power winder (listen for click).



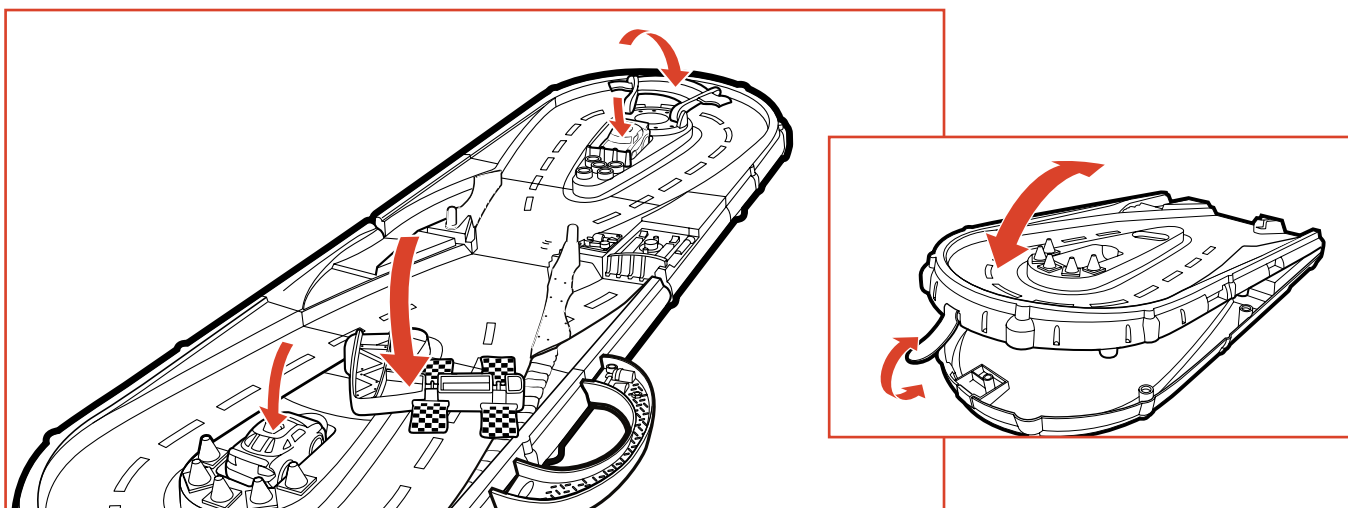
6. Peel and apply labels as shown.

Note: Placement of labels 1-8 is the same for both ends of the raceway.



STORAGE

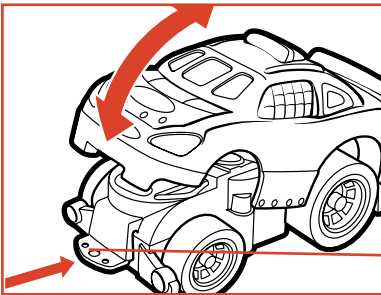
- After play, fit cars into the openings to store.
- To store the raceway, fold down the finish line stand and winner's circle flag, fold up the raceway, secure with the fabric fastener and carry it away!



PLAY FEATURES

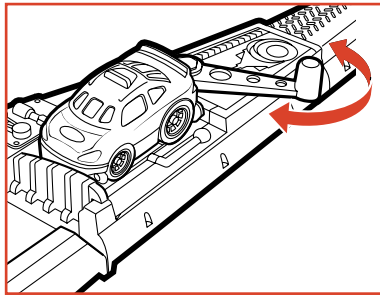
With the **SPEEDSTARS MAXIMUM THRILLS RACEWAY** playset, preschoolers can enjoy all the fun of figure-8 racing action for big kids, but in a size and style that's just right for them!

- Fit back of car onto chassis, then snap on front. Bodies and chassis are interchangeable. (Push in the latch on front to remove the body from the chassis.)

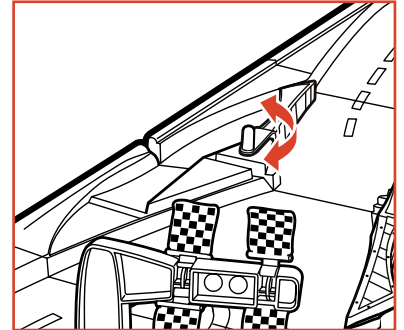


LATCH

- Place car on the built-in power winder, hold the car in place and crank the handle. Then, place the car on the track and press the button...watch it zoom around the track!



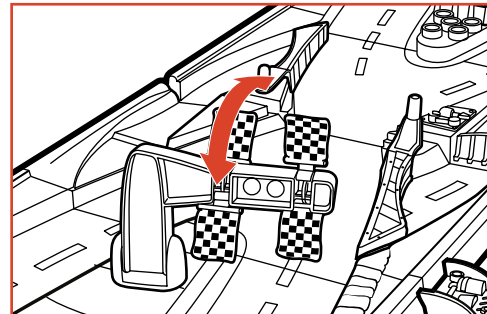
- Move this gate to launch the racer across the track!
Note: Cars may skip off track area during this stunt.



- Move this gate to make the car go into the pit!



- Finish line flags spin when car hits them!



- **CRASH!** Car bodies pop off chassis when vehicles collide!

