



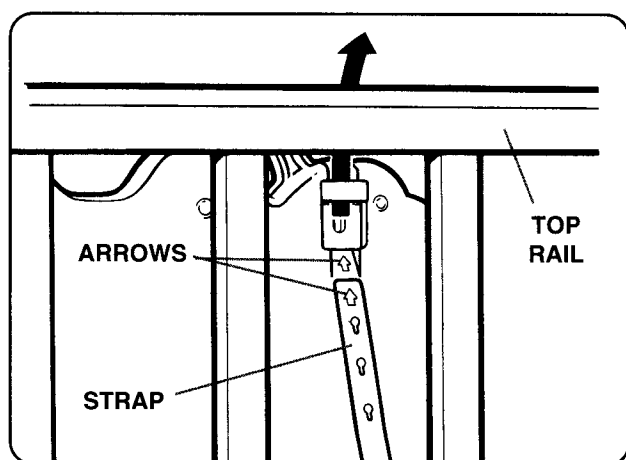
# Spin Around<sup>TM</sup> Busy Box<sup>®</sup>

## Instructions

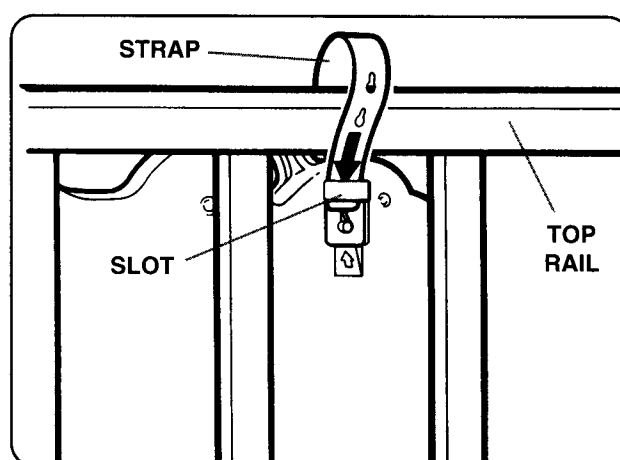


For future reference, our toll-free consumer service number is also located on this product.

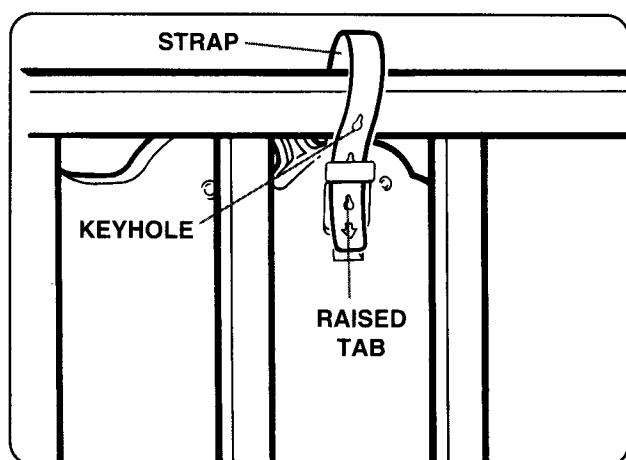
### TO ATTACH SPIN AROUND BUSY BOX TO CRIB



1. Position the toy inside the crib near the top rail. Line up arrow on strap with arrow on one of the slots on the upper back of toy. Pull strap all the way up until strap end rests in recess.



2. Slide strap through slot, around top crib rail, and back down through the slot until strap is holding top of toy firmly onto rail.



3. Press closest strap keyhole onto raised tab as shown. Repeat process for other strap.

### ATTENTION:

Remove plastic tie from package insert using safety scissors, and dispose of tie before giving toy to your child.