

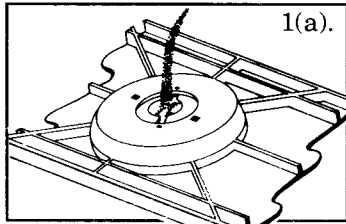
SUSPENSION ART™

Makes a unique design every time!

ART™ DESIGN TOY

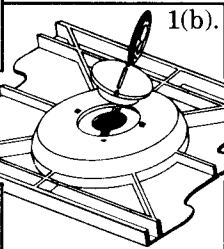
To put your *Suspension Art™* Design Toy together read the following instructions and refer to the illustrations below.

1. Place label in recess on **drawing platform** then turn drawing platform upside down.



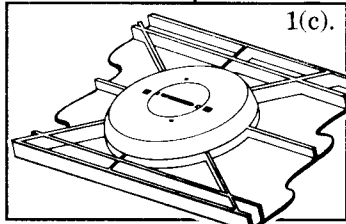
1(a).

Completely fill inside of platform with salt, tapping occasionally to level out filling. **DO NOT OVERFILL.**



1(b).

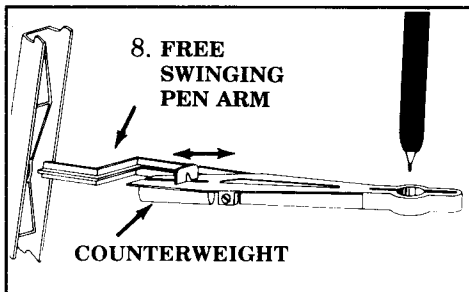
Put **cap** on and turn it, using a coin to secure.



1(c).

When in the locked position notches will align with squares.

2. Place **base pieces** upright. In position shown.
3. Insert angled end of each **side piece** into each **base piece**.
4. Insert straight ends of (4b) **side pieces** into (4a) **top piece**.
5. Place **cap** onto **top piece**.
6. Loop **string** over notches in cap.
7. Turn **drawing platform** right side up and thread **string** through notches on each corner.
8. Insert **free swinging pen arm** into hole on either left or right **side piece**. Place a felt tip marker into the **clasp** of the **pen arm**. Pen should be vertical. Move **counter-weight** toward the pen to make thicker and fewer lines, away from the pen to make thinner and more lines.

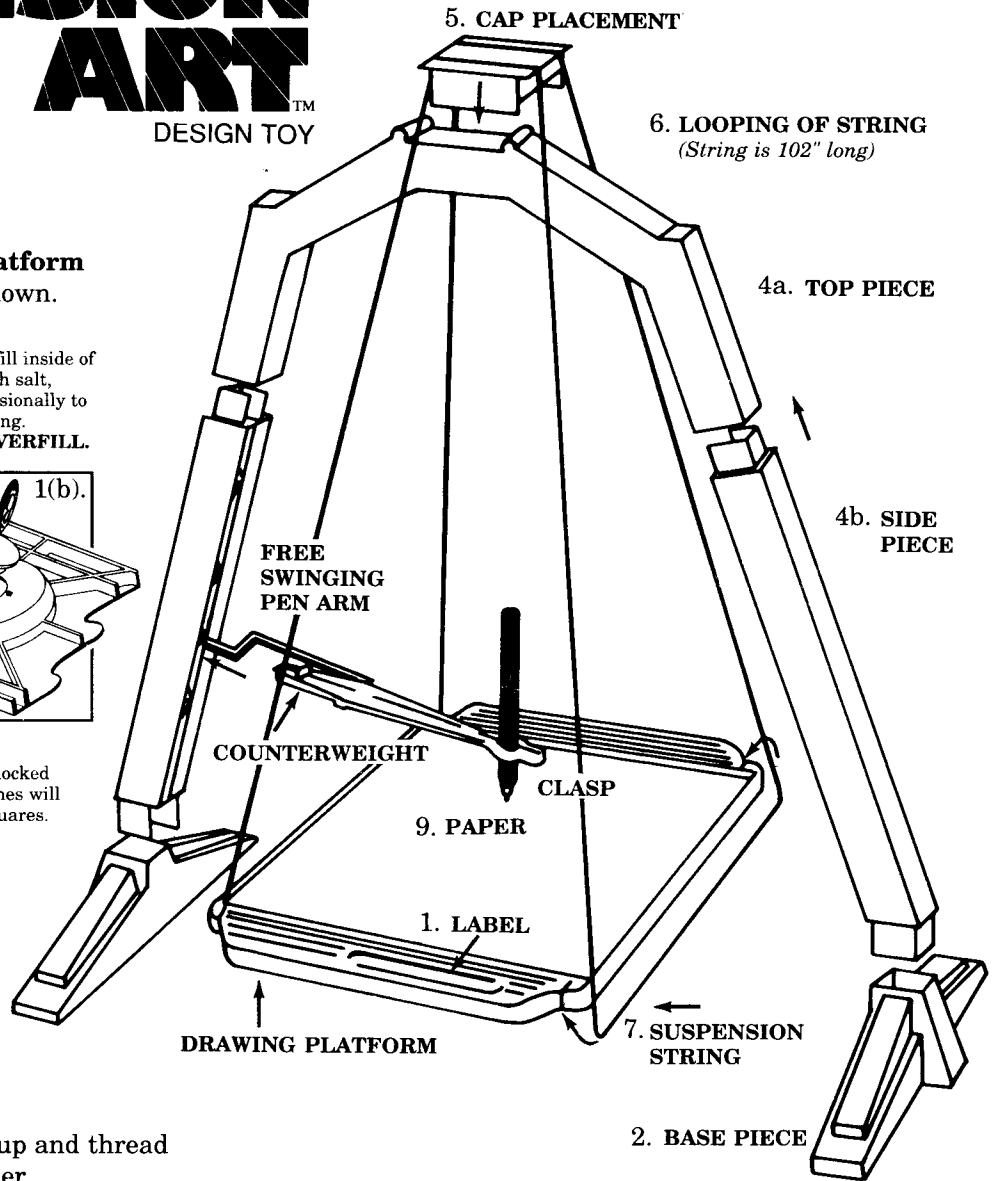


8. **FREE SWINGING PEN ARM**

COUNTERWEIGHT

For additional colors, we suggest Le Pen by Marvy or a fine point felt tip pen with a similar diameter to the pens provided.

9. Place a sheet of paper on platform. And now your *Suspension Art™* Design Toy is ready for fun. Just swing the platform for unique, ever changing designs. By varying your swing you can change the shapes of the designs.



5. **CAP PLACEMENT**

6. **LOOPING OF STRING**
(String is 102" long)

4a. **TOP PIECE**

4b. **SIDE PIECE**

FREE SWINGING PEN ARM

COUNTERWEIGHT

CLASP

9. **PAPER**

1. **LABEL**

DRAWING PLATFORM

7. **SUSPENSION STRING**

2. **BASE PIECE**

WE REALLY DO CARE!

We make each toy with tender loving care. If there is a problem with your toy as you receive it, please let us know. Simply describe the problem and mail that, description along with your name and address to:

KENNER PRODUCTS
Consumer Affairs Dept.
1014 Vine St.
Cincinnati, Ohio 45202

Kenner