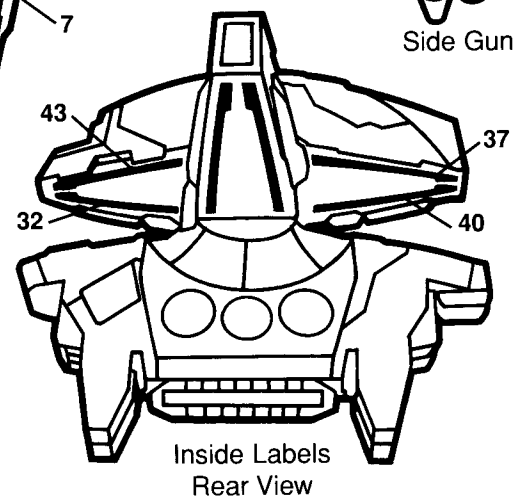
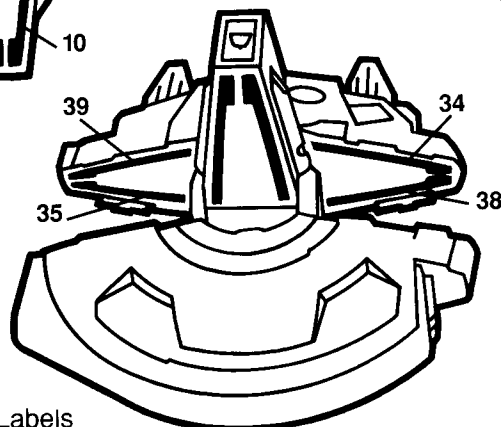
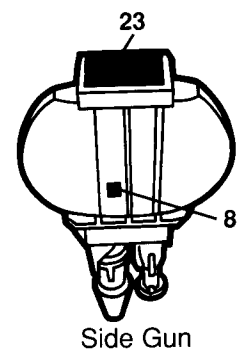
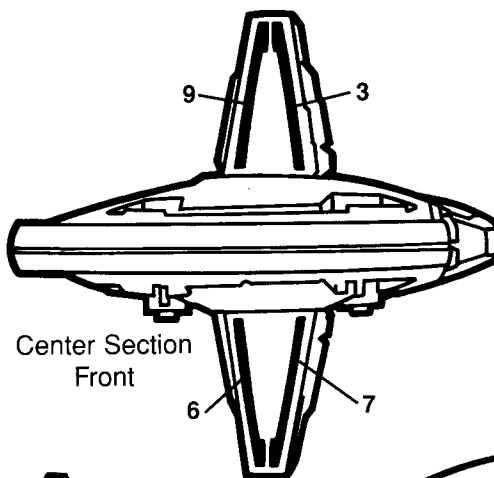
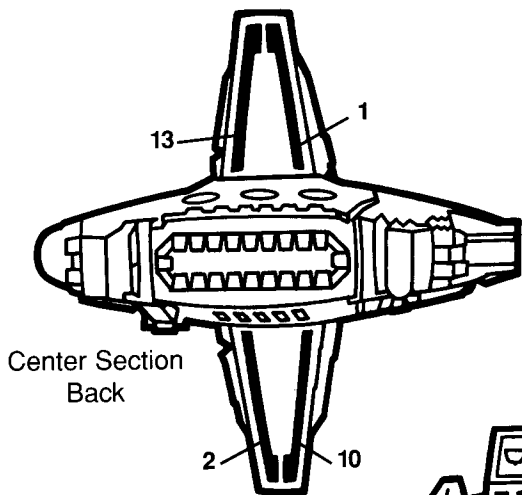
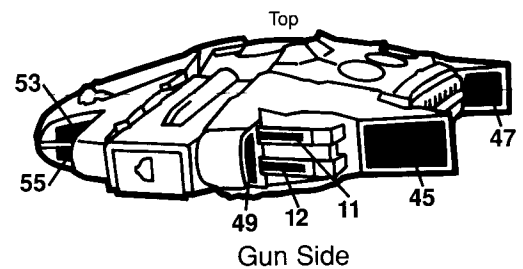
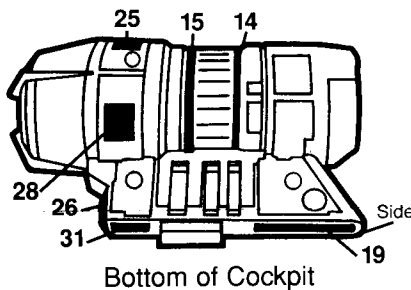
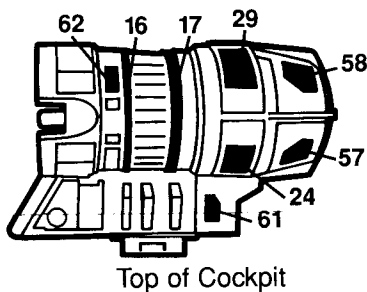
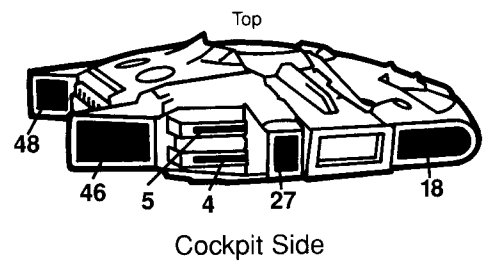
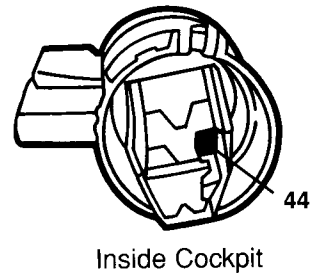
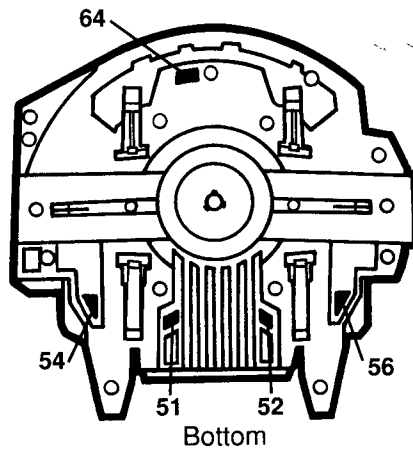
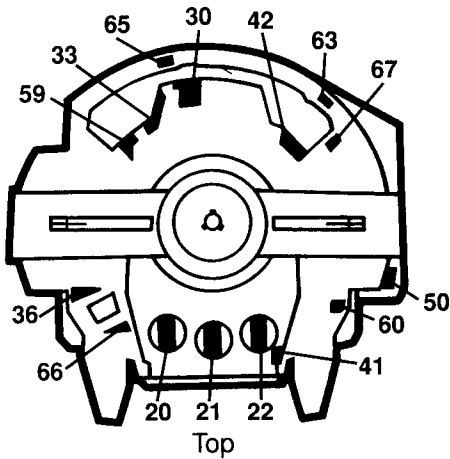
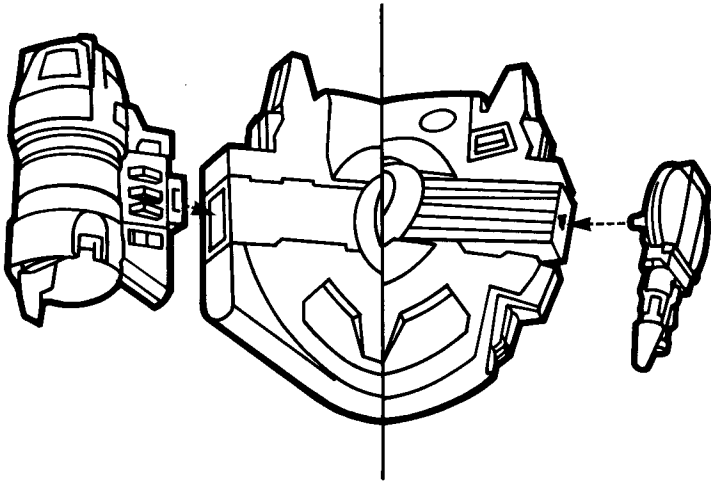


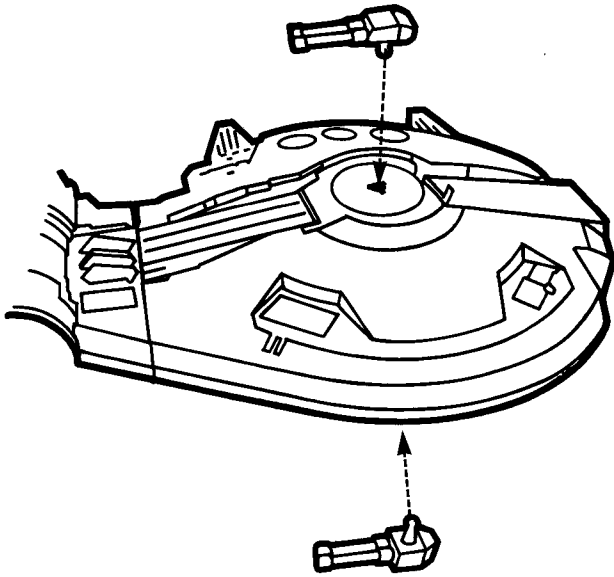
1. Apply labels using the numbers on the label sheet and these illustrations as a guide.



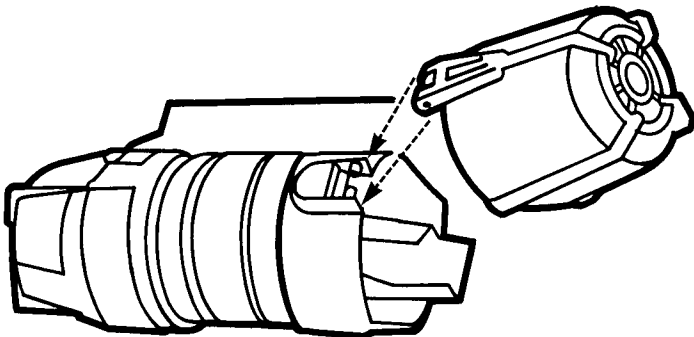
- 2.** Find the cockpit and the large sidegun. Match connecting ends of each part with the holes in the rotatable center section of the vehicle. Snap the cockpit into one side and the sidegun into the other side.



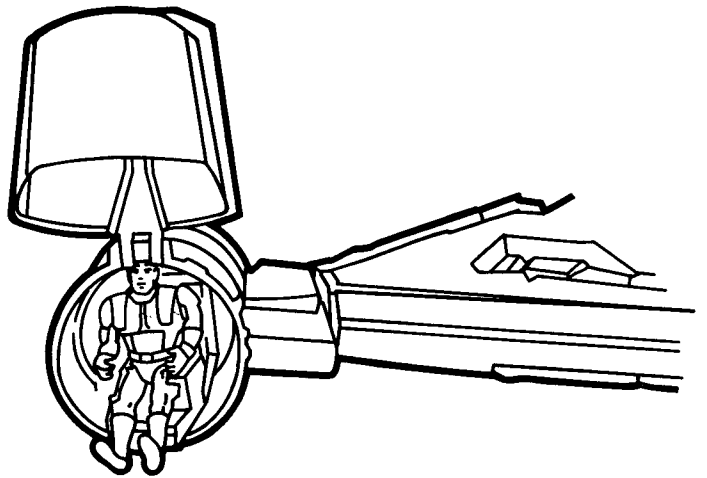
- 3.** The top and bottom guns are identical. Snap the guns into the holes provided. Both of these guns can be rotated.



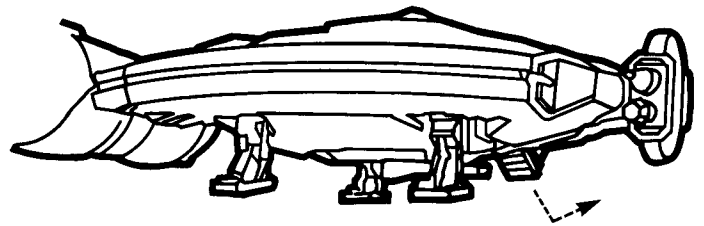
- 4.** Attach the cockpit canopy. Slide the pegs on the vehicle, one at a time, into the holes in the hinge of the canopy.



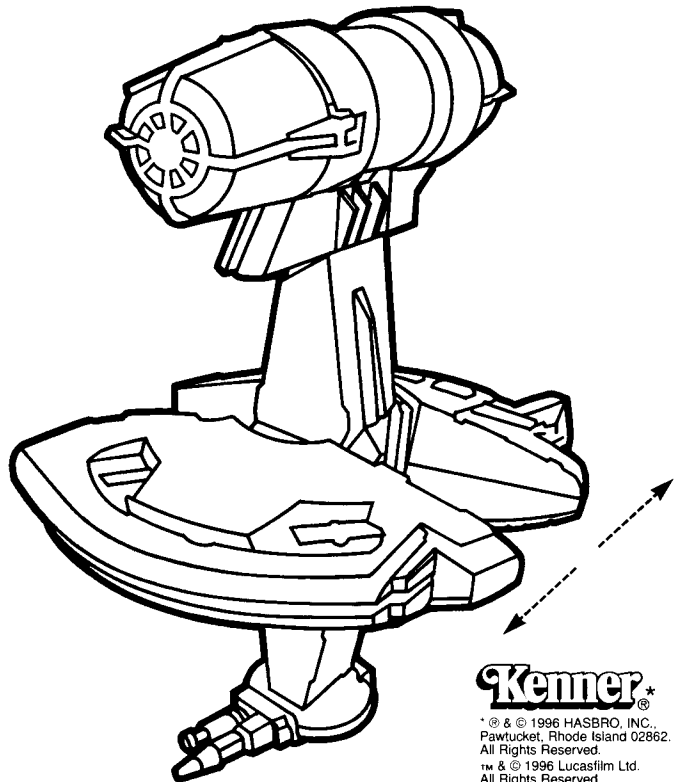
- 5.** Once the cockpit canopy is in place, open it and seat a figure in the seat as shown.



- 6.** The landing gear can be manually raised (for pretend flight) or lowered (for landing).



- 7.** Pull the two sides of the vehicle out. This will enable the center section to be moved in a complete circle. The cockpit seat can be positioned to keep the figure upright no matter where you choose to position the cockpit itself as you rotate the center section. The sidegun can also be manually rotated.



Kenner[®]

© & © 1996 HASBRO, INC.,
Pawtucket, Rhode Island 02862.
All Rights Reserved.
™ & © 1996 Lucasfilm Ltd.
All Rights Reserved.
Used Under Authorization.

MADE IN CHINA. 528125.00