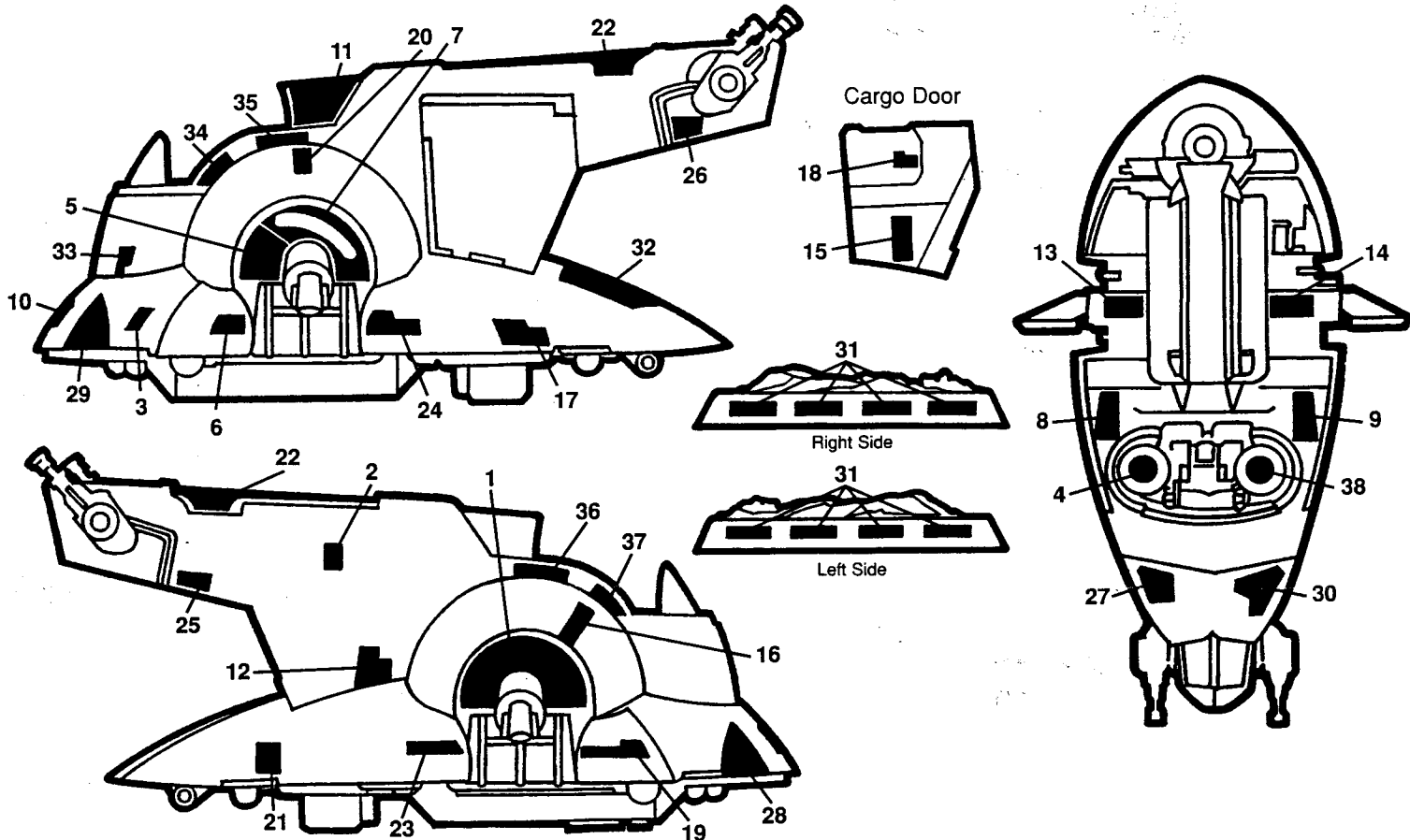


SLAVE I™

LABEL APPLICATION

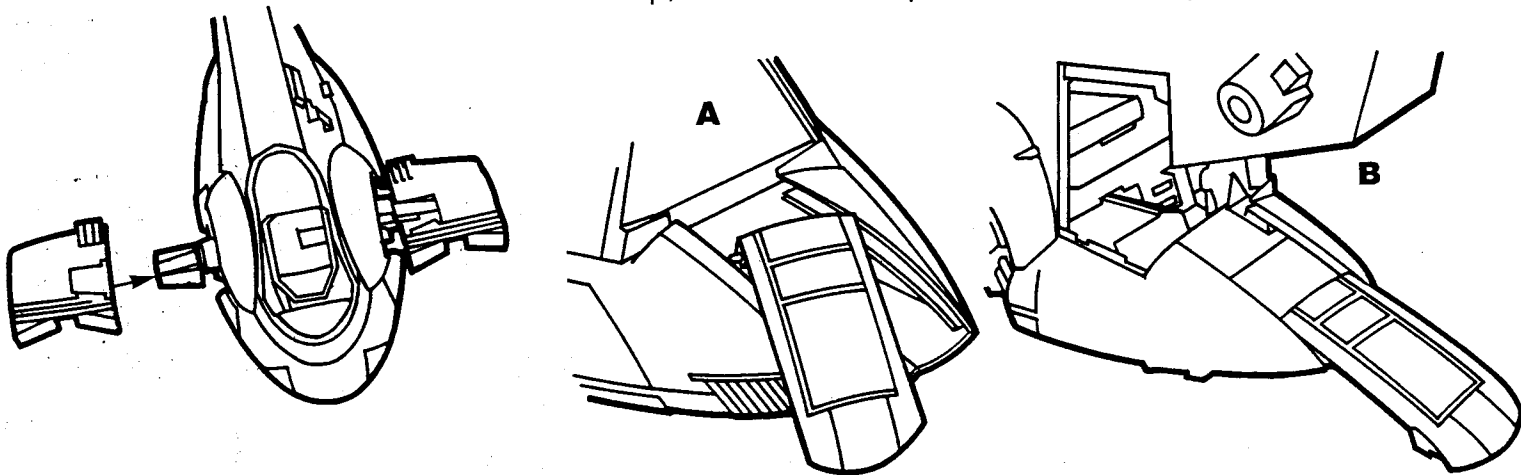
1. Apply labels using the number on the label sheet and these illustrations as a guide.



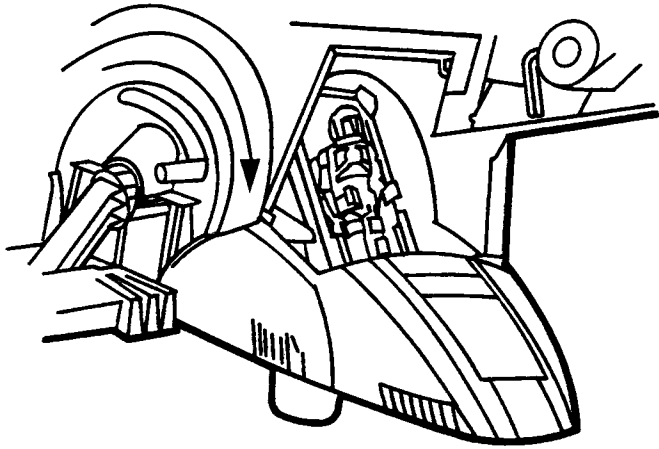
ASSEMBLY

2. Attach the wings to the posts on each side of the vehicle.

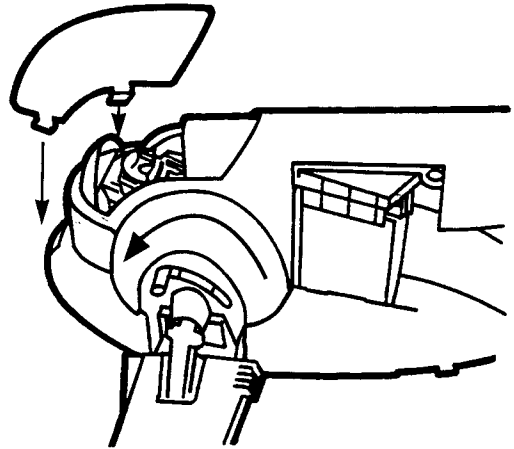
3A. To install the ramp, hold it at an angle while inserting the side posts, one at a time, into the slots in the rear of the vehicle. Once the posts are in the slots close the ramp. B. To open the ramp, lift the bottom up and slide the ramp down as shown.



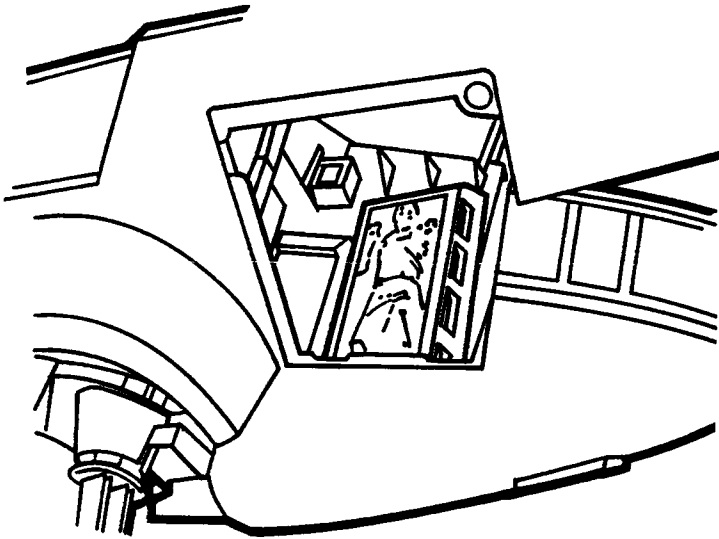
- 4A.** Move the side lever down to lower the seat inside the vehicle. Snap a figure (sold separately) into the waist clip.



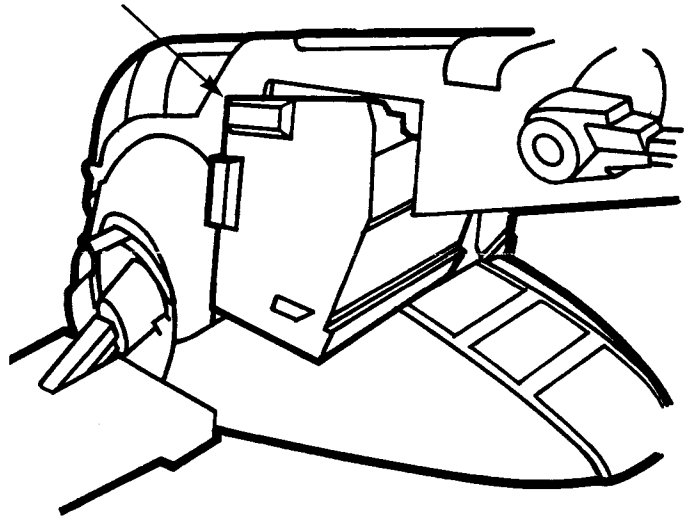
- 4B.** Raise the figure to the cockpit area by moving the lever in the opposite direction. Put the cockpit cover into place.



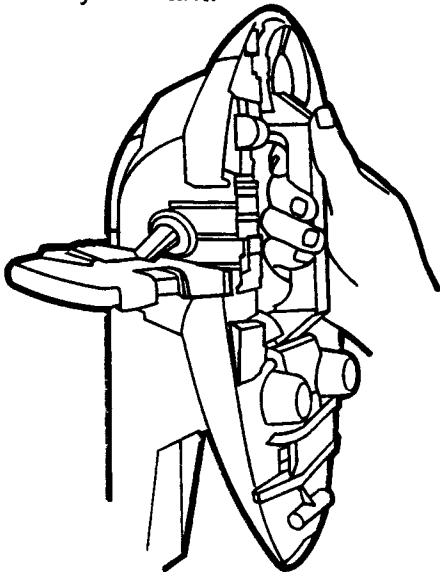
- 5.** The carbonite slab can be stored inside the cargo bay.



- 6.** Slide the cargo door into place.



- 7.** The wings will move freely with gravity. By holding the trigger, you can hold the wings in the position you want.



- 8.** The "laser cannons" can be rotated 360° and will make a clicking sound as you move them.

