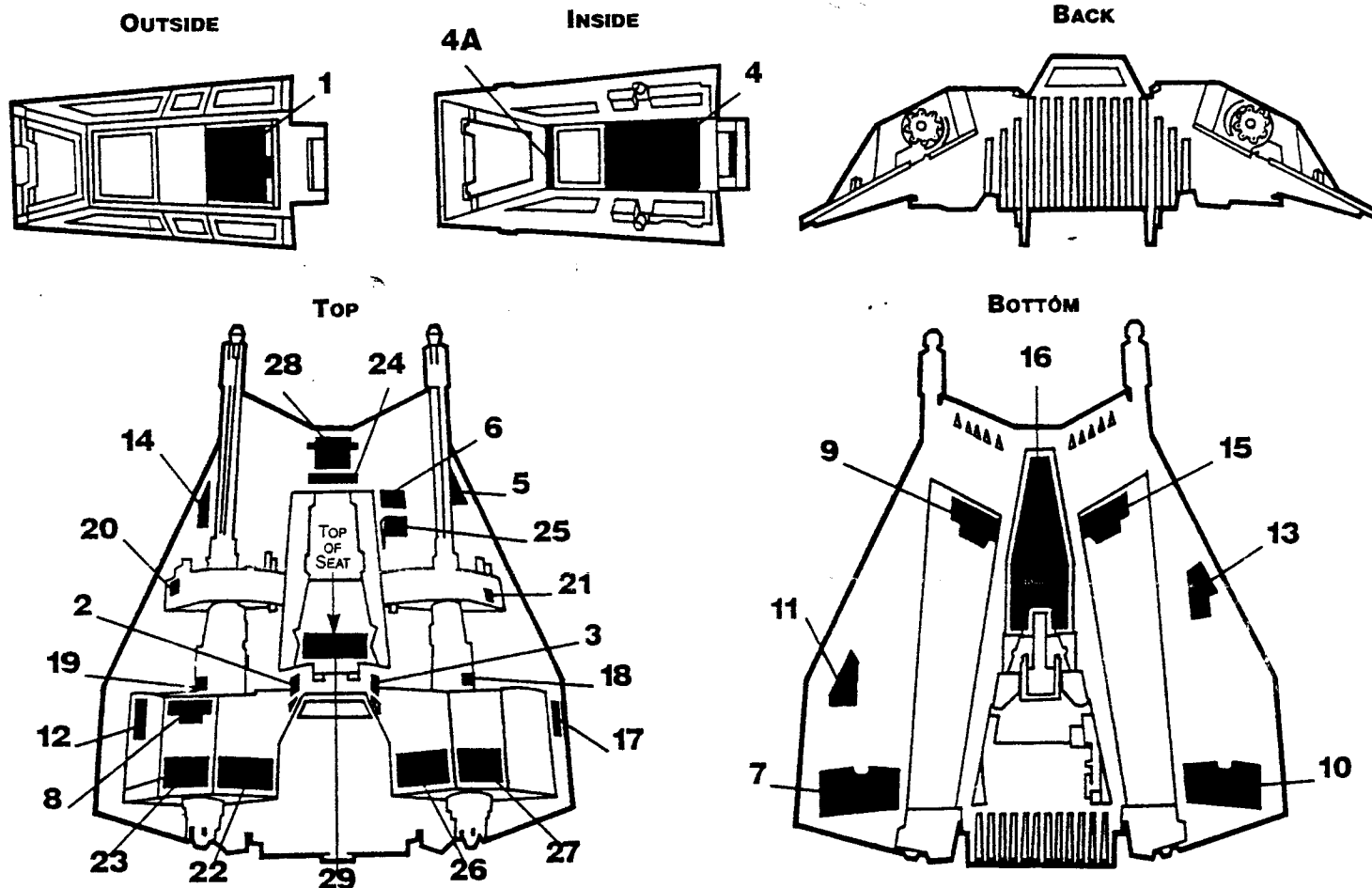




LABEL APPLICATION

1. Apply labels using the numbers on the label sheet and these illustrations as a guide.



BATTERY INSTALLATION

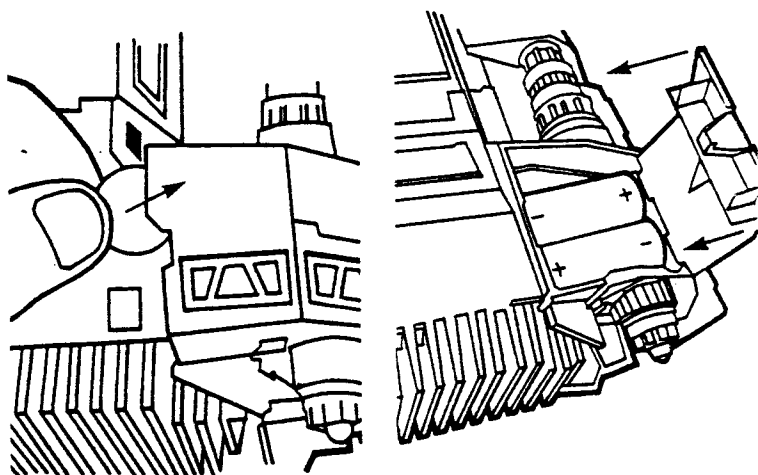
2. Use a coin to open the battery compartment door as shown. Install two "C" alkaline batteries in position shown. Close compartment door.

CAUTION: To avoid battery leakage,

- (1) Be sure to insert the batteries correctly and always follow the toy and battery manufacturer's instructions.
- (2) Do not mix old and new batteries or alkaline, standard (carbon-zinc) or rechargeable batteries.
- (3) Always remove exhausted or dead batteries from the product.

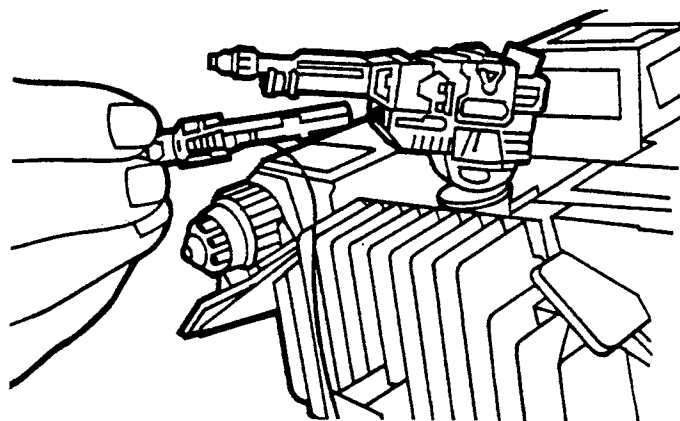
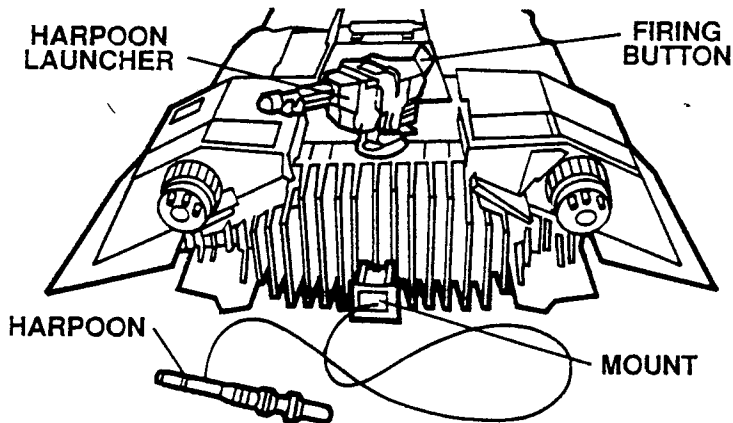
This equipment has been tested and found to comply with the limits for a Class B digital device, pursuant to Part 15 of the FCC Rules. These limits are designed to provide reasonable protection against harmful interference in a residential installation. This equipment generates, uses and can radiate radio frequency energy, and, if not installed and used in accordance with the instructions, may cause harmful interference to radio communications. However, there is no guarantee that interference will not occur in a particular installation. If this equipment does cause harmful interference to radio or television reception, which can be determined by turning the equipment off and on, the user is encouraged to try to correct the interference by one or more of the following measures:

- Reorient or relocate the receiving antenna.
- Increase the separation between the equipment and receiver.
- Consult the dealer or an experienced radio/TV technician for help.

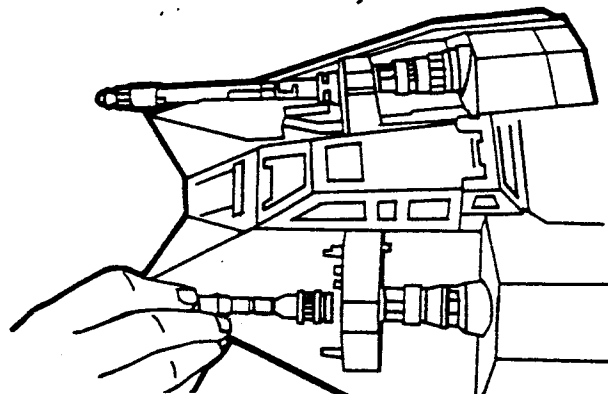
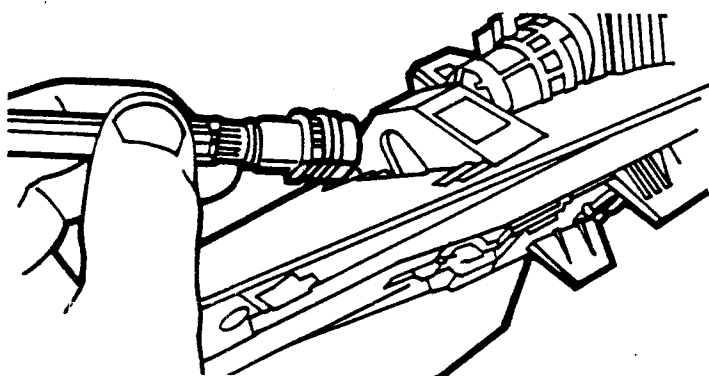


ASSEMBLY & PLAY

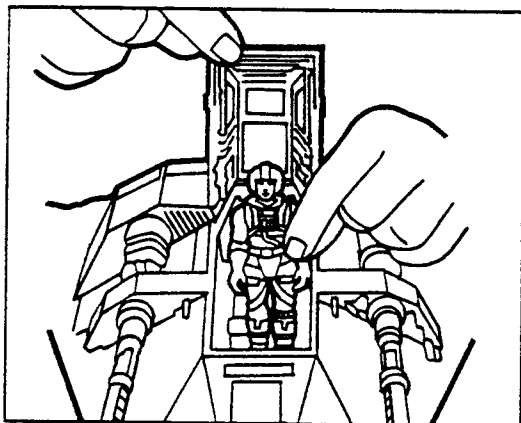
3. HARPOON - Snap harpoon launcher and harpoon mount into place. Load harpoon into launcher. Press on the firing button to launch the harpoon.



4. LASER CANNONS - Find the flat surface on the end of the laser cannons. Insert each laser cannon into place with the flat side down as shown.



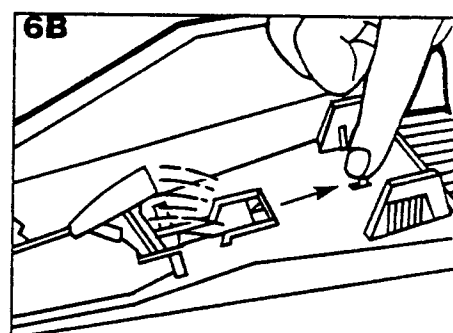
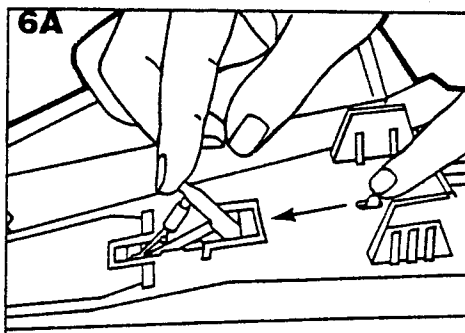
5. FIGURE - Raise the canopy to place a figure in the cockpit seat.



6. LANDING SKID OPERATION -

A. Manually put the landing skid back into the bottom of the vehicle. Push the lever towards the front of the vehicle to hold the skid in place.

B. Move lever towards the back of the vehicle to release and lower the landing skid.

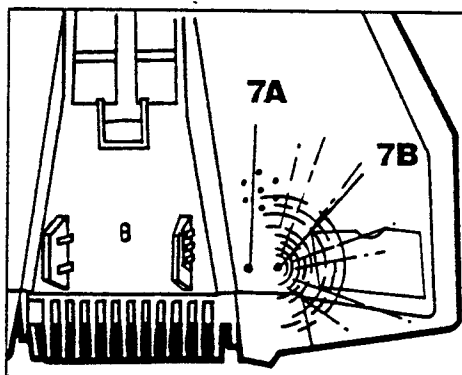


7. SOUND BUTTONS - The two buttons located on the bottom of the left wing controls the sound. Press them one at a time to hear the sounds.

A. Fly-by sounds.

B. Firing laser cannon sounds.

Note: laser cannons will flash during laser cannon sounds.



Kenner®

© & © 1995 HASBRO, INC.,
Pawtucket, Rhode Island 02862.
All Rights Reserved.

© 1995 Lucasfilm Ltd.
All Rights Reserved.
Used Under Authorization.

MADE IN MEXICO
ELECTRONIC MODULE MADE IN CHINA

527027.00