

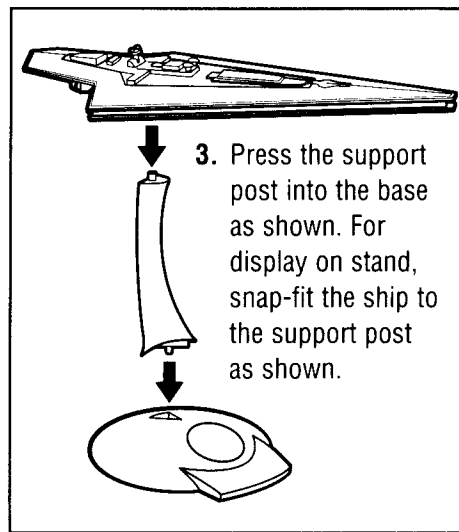
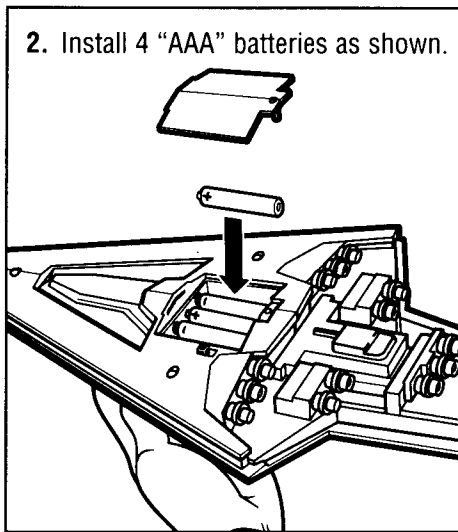
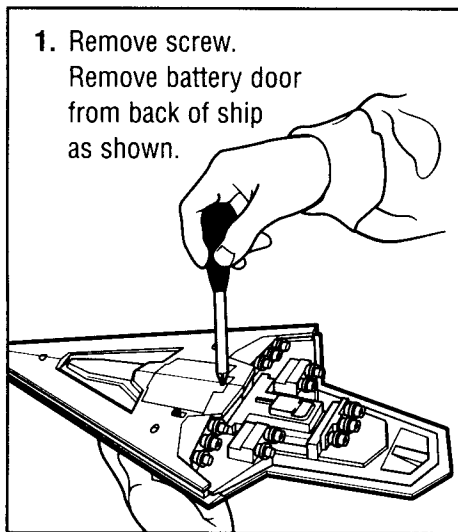
## COLLECTOR FLEET



# JUPER STAR DESTROYER™ INSTRUCTIONS

Batteries included. 4 "AAA" batteries (alkaline recommended) required for replacement.

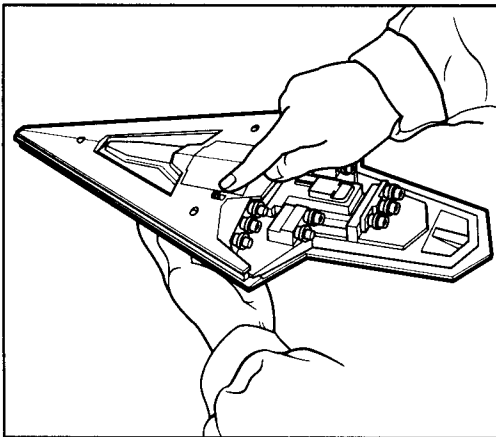
### ASSEMBLY REQUIRED. BATTERY REPLACEMENT:



### CAUTION:

1. As with all small batteries, the batteries included with this toy should be kept away from small children who still put things in their mouths. If they are swallowed, promptly see a doctor and have the doctor phone (202) 625-3333 collect.
2. Make sure the batteries are inserted correctly and follow the toy and battery manufacturer's instructions.
3. Do not mix old and new batteries.
4. Do not mix alkaline, standard (carbon-zinc) or rechargeable (nickel-cadmium) batteries.

### TO OPERATE POWER SWITCH:



Power switch has three positions, each with its own function.

1. First position activates only SOUNDS.
2. Middle position activates both SOUNDS and LIGHTS.
3. Third position activates only LIGHTS.

**NOTE:** The four buttons located on the ship replica display individual sounds and lights.

### FCC STATEMENT

"This equipment has been tested and found to comply with the limits for a Class B digital device, pursuant to Part 15 of the FCC Rules. These limits are designed to provide reasonable protection against harmful interference in a residential installation. This equipment generates, uses and can radiate radio frequency energy, and, if not installed and used in accordance with the instructions, may cause harmful interference to radio communications. However, there is no guarantee that interference will not occur in a particular installation. If this equipment does cause harmful interference to radio or television reception, which can be determined by turning the equipment off and on, the user is encouraged to try to correct the interference by one or more of the following measures:

- Reorient or relocate the receiving antenna.
- Increase the separation between the equipment and the receiver.
- Consult the dealer or an experienced radio/TV technician for help"



Product and colors may vary.

TM & © 1997 Lucasfilm Ltd. All Rights Reserved. Used Under Authorization.  
Distributed in the USA by Hasbro, Inc., Pawtucket, Rhode Island 02862 USA.  
KENNER® is a trademark of Hasbro, Inc. ©1997 Hasbro, Inc. All Rights Reserved.

**MADE IN CHINA.**

TM and © denotes US Trademarks

Manufacturer's Representatives

UK - Hasbro UK Limited, Caswell Way, Newport, Gwent NP9 0YH.

Australia - Hasbro Australia, Private Bag 6, Eastwood NSW 2122, Australia.

New Zealand - Hasbro New Zealand, P.O. Box 100-940 North Shore Mail Centre, Auckland, New Zealand.

Please retain our address for future reference.