

STAR WARS EPISODE I

ELECTRONIC
DARTH MAUL™
BINOCULARS WITH
LISTENING DEVICE

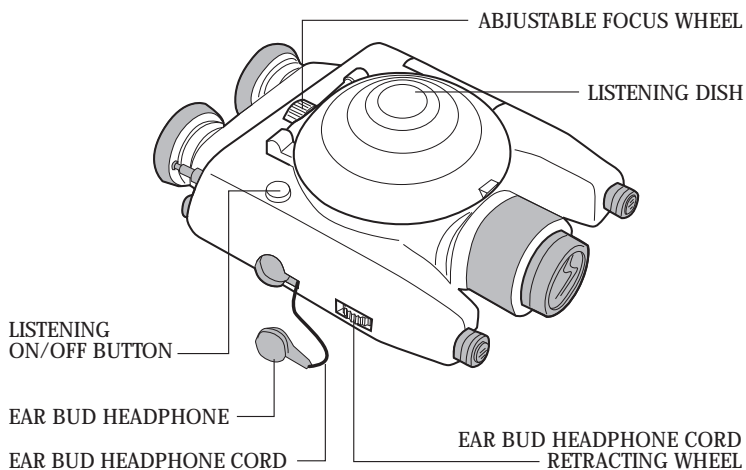
TIGER
ELECTRONICS, LTD.

INSTRUCTION

Sith Lord Darth Maul is apprentice to the evil Darth Sidious. Darth Maul is sent to hunt down Queen Amidala. Now you can scan your planet with the electro-binoculars used by Darth Maul to scan the planet Tatooine in search of Queen Amidala.

1. GETTING STARTED

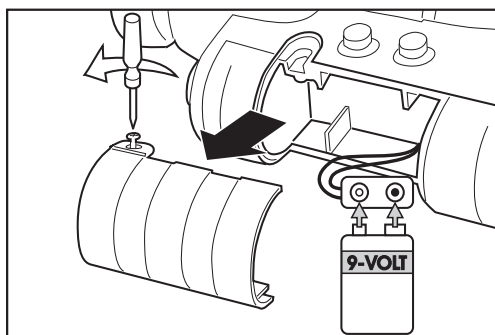
Electronic Darth Maul binoculars with the listening device are not intended to invade anyone's privacy. They are for fun only and should not be used inappropriately. The binoculars cannot hear a conversation through a solid surface or over the phone lines. The binoculars must see the intended person to be able to pick up the conversation. Please respect the privacy of another person.



2. BATTERY INSTALLATION

To open the battery compartment cover, loosen the screw on the battery compartment cover.

Insert 1 "9V" battery (not included), making sure to align the "+" and "-" signs as shown. Return and screw the battery compartment cover to its original position.

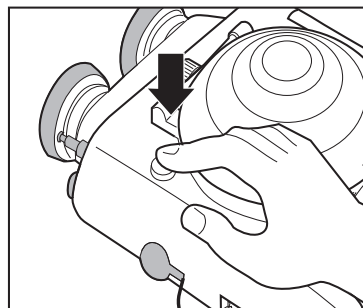


To ensure proper function:

- DO NOT MIX OLD AND NEW BATTERIES.
- DO NOT MIX ALKALINE, STANDARD (CARBON ZINC) OR RECHARGEABLE BATTERIES.
- BATTERY INSTALLATION SHOULD BE DONE BY AN ADULT.
- NON-RECHARGEABLE BATTERIES ARE NOT TO BE RECHARGED.
- RECHARGEABLE BATTERIES ARE TO BE REMOVED FROM THE TOY BEFORE BEING CHARGED (IF REMOVABLE).
- RECHARGEABLE BATTERIES ARE ONLY TO BE CHARGED UNDER ADULT SUPERVISION (IF REMOVABLE).
- ONLY BATTERIES OF THE SAME OR EQUIVALENT TYPE AS RECOMMENDED ARE TO BE USED.
- BATTERIES ARE TO BE INSERTED WITH THE CORRECT POLARITY.
- EXHAUSTED BATTERIES ARE TO BE REMOVED FROM THE TOY.
- THE SUPPLY TERMINALS ARE NOT TO BE SHORT-CIRCUITED.

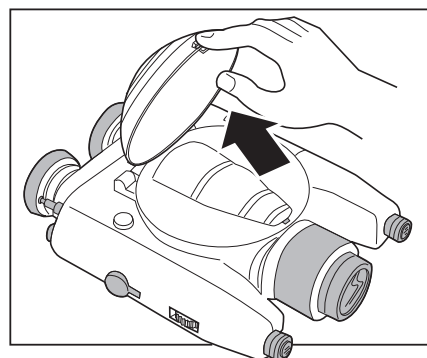
3. LISTENING ON/OFF BUTTON

To listen to a conversation in the headphone, PRESS and HOLD the RED listening button. Release the RED listening button and a conversation will no longer be heard in the headphone.

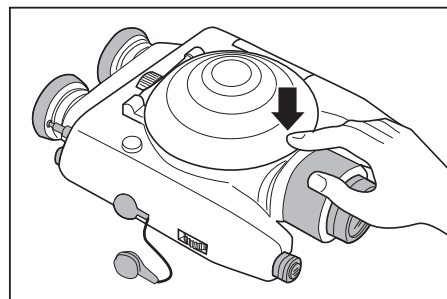


4. LISTENING DISH

To open the dish, pull up on the tab located in the front of the dish. Raise the dish so it stands perpendicular to the binoculars.



To close the dish, push the dish down so it "snaps" into place on the binoculars.



IMPORTANT NOTES:

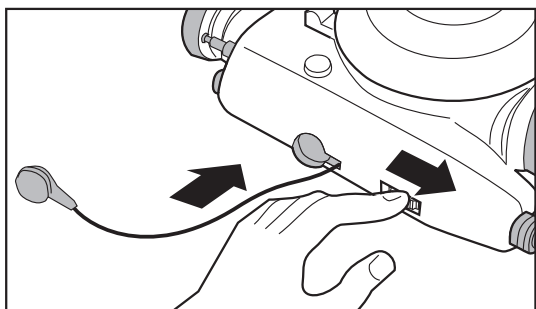
1. Close the dish when not in use to protect it from damage.
2. The dish opens and closes, it does not rotate left or right.

5. EAR BUD HEADPHONE and CORD

To extract the headphone cord from the binoculars, turn the headphone cord retracting wheel clockwise and gently pull the headphone cord away from the binoculars. The cord will extract approximately 1 foot. Once the wheel stops extracting the cord, stop pulling the headphone cord.

Gently place one ear bud on the outside of each ear - take caution not to insert the ear bud inside the ear. The ear bud should be placed on the outside of the ear.

To retract the headphone cord into the binoculars, turn the headphone cord retracting wheel counterclockwise and gently guide the headphone cord toward the binoculars. Once the wheel stops retracting the cord, the ear bud headphone should be near the binoculars.

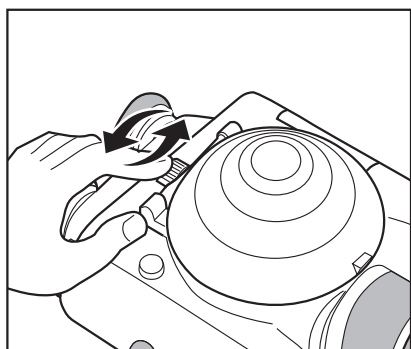


6. EAR BUD HEADPHONE SAFETY CIRCUIT

The electro-binoculars include a special feature. The ear bud headphones include a safety circuit that will protect the listener's ears from sudden loud noises. This safety feature is built into the headphones and will protect to a sound level of 80dB.

7. ADJUSTABLE FOCUS

These electro-binoculars have 6x magnification. To adjust the focus, look into the binoculars and find a fixed object. Turn the adjustable focus wheel until the object becomes focused. To focus clearly, the object must be at least 4 feet in front of the binoculars. If the object is too close, the binoculars may not focus clearly.



8. HOW TO OPERATE

1. Install new batteries for best performance
2. Open the listening dish
3. Extract the headphone cord
4. Gently place the ear bud headphone on the outside of the ears
5. Adjust the focus wheel to see the intended object.
6. Press and Hold the RED listening button.
7. Listen to the conversation!

9. DEFECT OR DAMAGE

Replace battery at the first sign of erratic operation.

If a part of your ELECTRONIC DARTH MAUL BINOCULARS WITH LISTENING DEVICE is damaged or something has been left out, DO NOT RETURN THE GAME TO THE STORE. The store doesn't have replacement parts. Instead, write to us at:

Tiger Electronics, Ltd. Repair Center
980 Woodlands Parkway,
Vernon Hills, Illinois 60061, U.S.A.

Please include a note with your return explaining the problem along with a sales slip, date, place of purchase and price paid. We will do our best to expedite your return promptly.

10. 90-DAY LIMITED WARRANTY

Tiger Electronics, Ltd. (Tiger) warrants to the original consumer purchaser of this product that the product will be free from defects in materials or workmanship for 90 days from the date of original purchase. This warranty does not cover damages resulting from accident, negligence, improper service or use or other causes not arising out of defects in materials or workmanship.

During this 90-day warranty period, the product will either be repaired or replaced (at Tiger's option) without charge to the purchaser, when returned with proof of the date of purchase to either the dealer or to Tiger.

Product returned to Tiger without proof of the date of purchase or after the 90-day warranty period has expired, but prior to one year from the original date of purchase, will be repaired or replaced (at Tiger's option) for a service fee of U.S.\$14.00. Payments must be by check or money order payable to Tiger Electronics, Ltd.

The foregoing states the purchaser's sole and exclusive remedy for any breach of warranty with respect to the product.

All product returned must be shipped prepaid and insured for loss or damage to:

Tiger Electronics, Ltd. Repair Dept.
980 Woodlands Parkway,
Vernon Hills, Illinois 60061, U.S.A.

The product should be carefully packed in the original box or other packing materials sufficient to avoid damage during shipment. Include a complete written description of the defect, a check if product is beyond the 90-day warranty period, and your printed name, address and telephone number.

THIS WARRANTY IS IN LIEU OF ALL OTHER WARRANTIES AND NO OTHER REPRESENTATIONS OR CLAIMS OF ANY NATURE SHALL BE BINDING ON OR OBLIGATE TIGER IN ANY WAY. ANY IMPLIED WARRANTIES APPLICABLE TO THIS PRODUCT, INCLUDING WARRANTIES OF MERCHANTABILITY AND FITNESS FOR A PARTICULAR PURPOSE, ARE LIMITED TO THE NINETY (90) DAY PERIOD DESCRIBED ABOVE. IN NO EVENT WILL TIGER BE LIABLE FOR ANY SPECIAL, INCIDENTAL, OR CONSEQUENTIAL DAMAGES RESULTING FROM POSSESSION, USE, OR MALFUNCTION OF THIS TIGER PRODUCT.

Some states do not allow limitations as to how long an implied warranty lasts and/or exclusions or limitations of incidental or consequential damages, so the above limitations and/or exclusions of liability may not apply to you. This warranty gives you specific rights, and you may also have other rights which vary from state to state.

For more information about Tiger Electronics, our products and special promotions, please visit our Web Site at: www.tigertoys.com

© Lucasfilm Ltd. & TM. All rights reserved. Used under authorization.

TIGER
ELECTRONICS, LTD.

®, TM, & © 1999 Tiger Electronics, Ltd. All rights reserved.
980 Woodlands Parkway, Vernon Hills, Illinois 60061, U.S.A.

®, TM, & © 1999 Tiger Electronics UK Ltd. All rights reserved.
Belvedere House, Victoria Avenue,
Harrogate, North Yorkshire HG1 1EL, England.
www.tigertoys.com

PRINTED IN CHINA