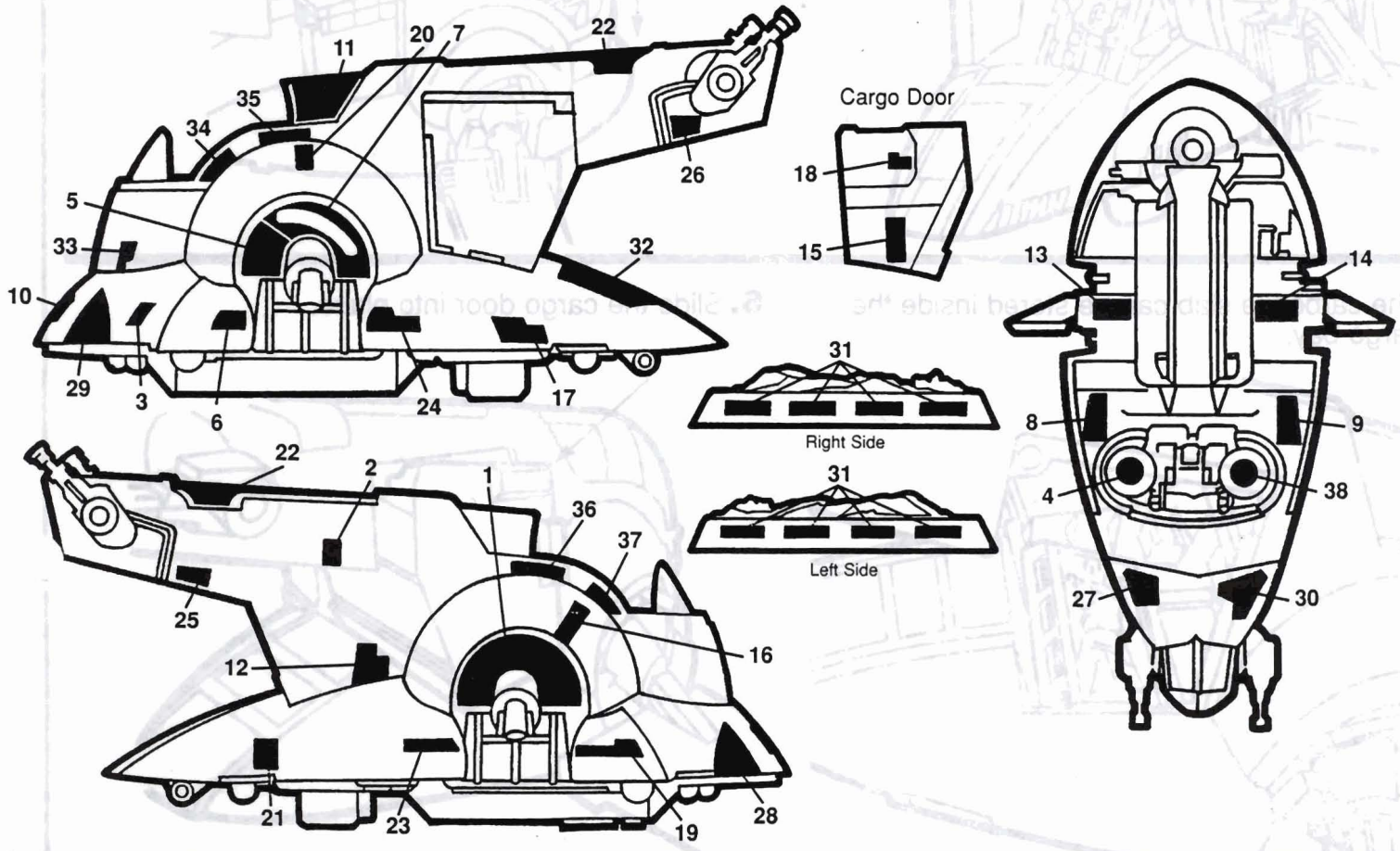


# SLAVE I™

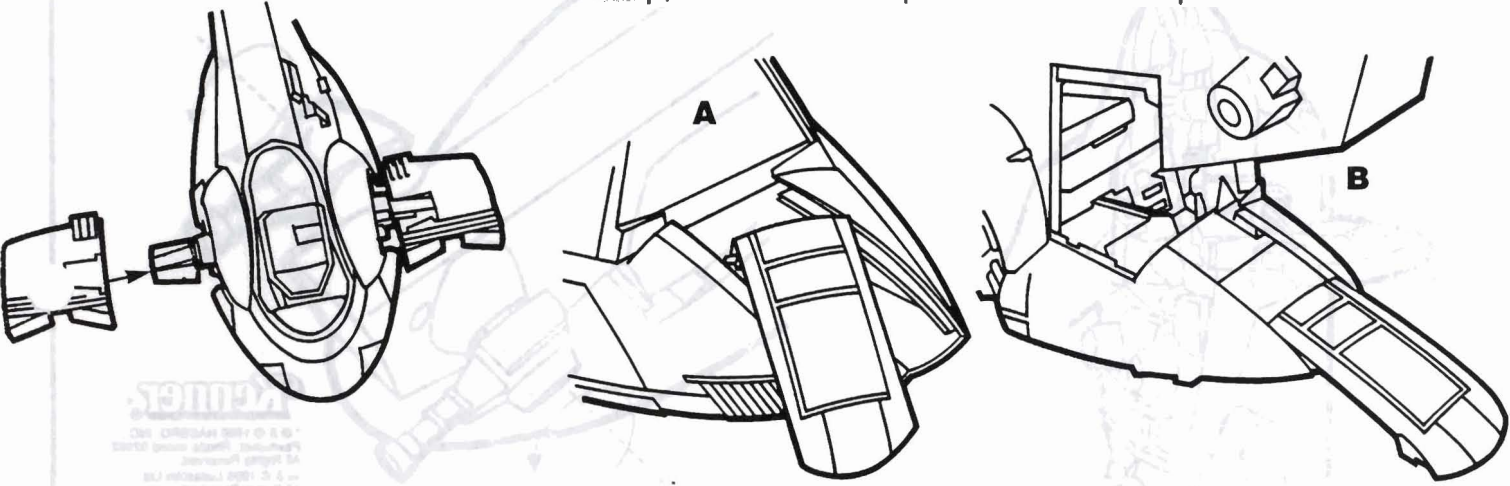
### LABEL APPLICATION

1. Apply labels using the number on the label sheet and these illustrations as a guide.

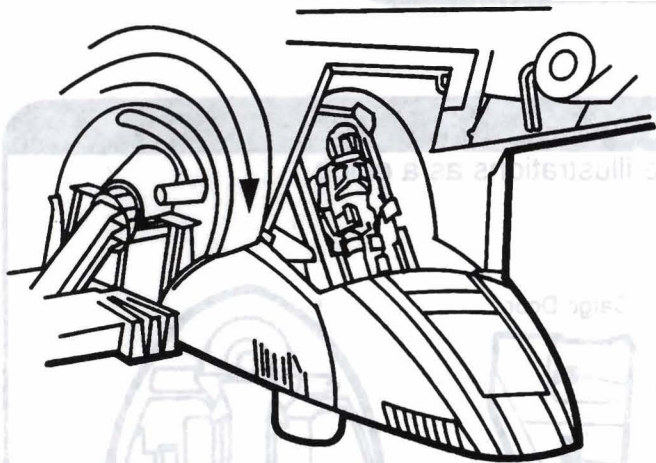


### ASSEMBLY

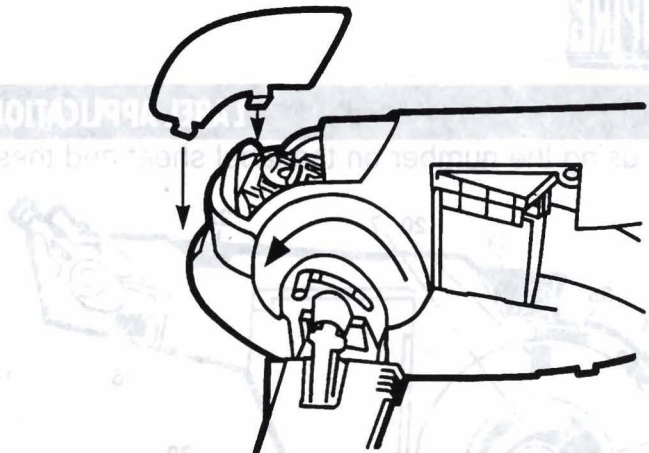
2. Attach the wings to the posts on each side of the vehicle. **3A.** To install the ramp, hold it at an angle while inserting the side posts, one at a time, into the slots in the rear of the vehicle. Once the posts are in the slots close the ramp. **B.** To open the ramp, lift the bottom up and slide the ramp down as shown.



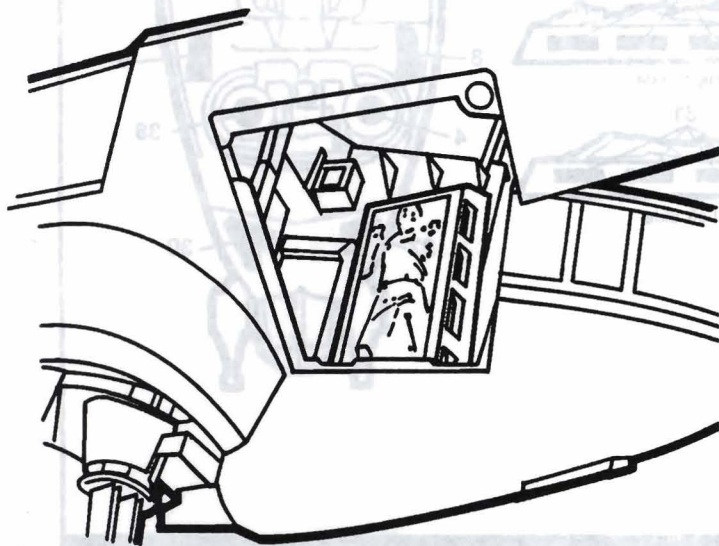
**4A.** Move the side lever down to lower the seat inside the vehicle. Snap a figure (sold separately) into the waist clip.



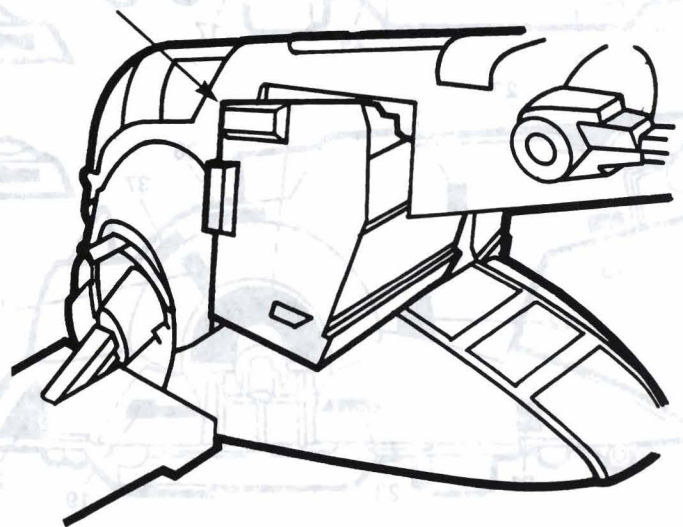
**4B.** Raise the figure to the cockpit area by moving the lever in the opposite direction. Put the cockpit cover into place.



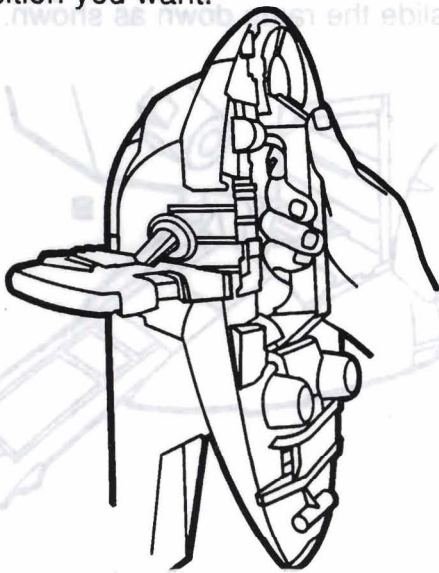
**5.** The carbonite slab can be stored inside the cargo bay.



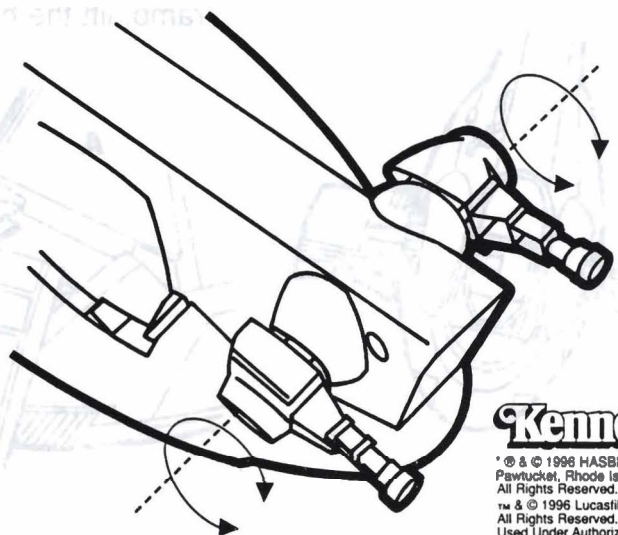
**6.** Slide the cargo door into place.



**7.** The wings will move freely with gravity. By holding the trigger, you can hold the wings in the position you want.



**8.** The "laser cannons" can be rotated 360° and will make a clicking sound as you move them.



**Kenner**<sup>®</sup>\*

\* © & © 1996 HASBRO, INC.,  
Pawtucket, Rhode Island 02862.  
All Rights Reserved.  
™ & © 1996 Lucasfilm Ltd.  
All Rights Reserved.  
Used Under Authorization.

MADE IN MEXICO.