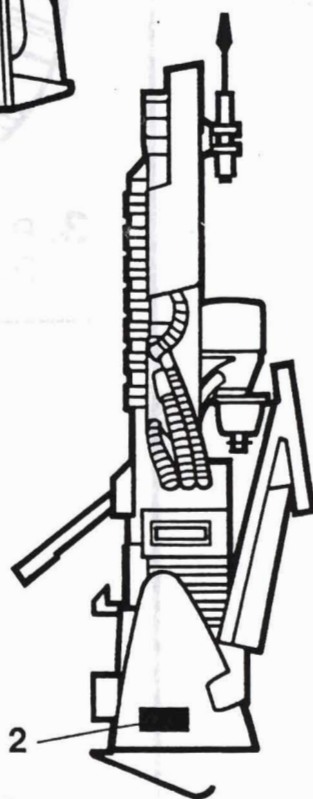
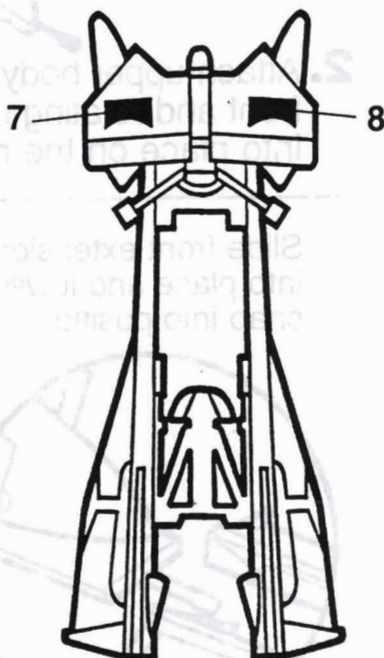
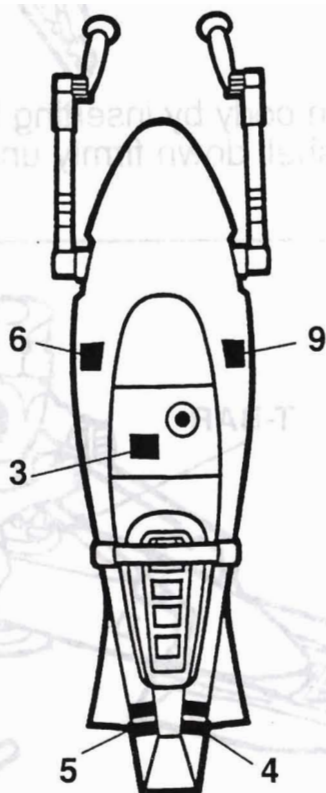




1. Apply the labels to the unassembled parts using the numbers on the label sheet and these illustrations as a guide.



LEFT SIDE

RIGHT SIDE

Kenner®

© & © 1995 TONKA CORPORATION,
a subsidiary of Hasbro, Inc.,
Pawtucket, Rhode Island 02862.
All Rights Reserved.
MADE IN CHINA

™ & © 1995 Lucasfilm Ltd.
All rights reserved. Used under authorization.

52188400

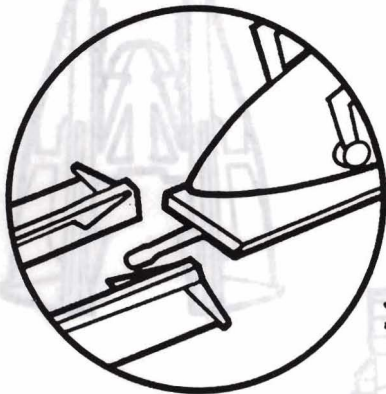
UPPER
BODY SHELL

HOOK

MAIN
BODY

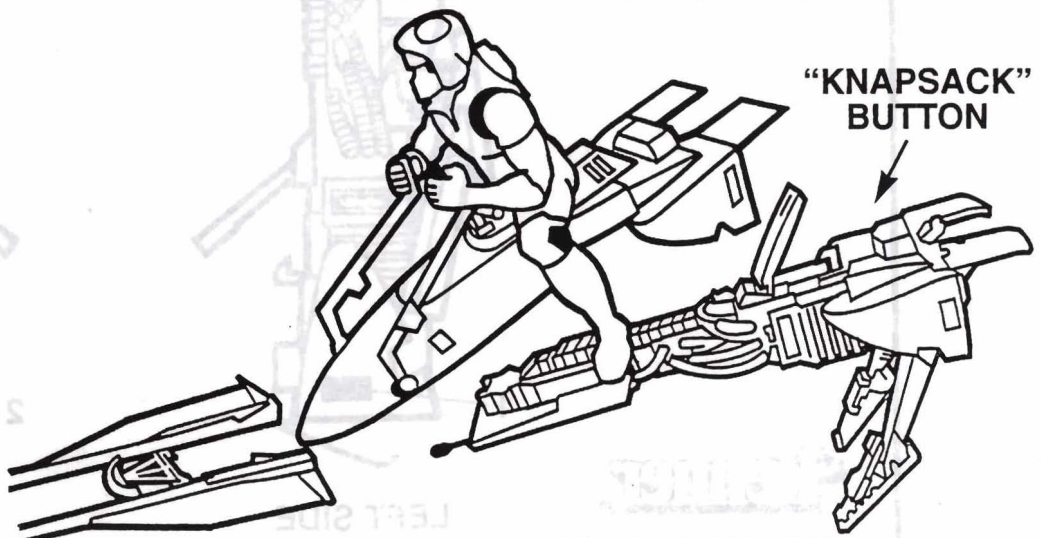
- 2.** Attach upper body shell to main body by inserting hook into front and rotating upper body shell down firmly until it snaps into place on the main body.

Slide front extension into place and it will snap into position.



T-BAR

- 3.** Put your Action Figure onto the seat behind the T-Bar. Place the hand grips into the hands.



- 4.** For added play, the SPEEDER BIKE™ vehicle will "explode" apart by pressing "knapsack" button on rear of toy.