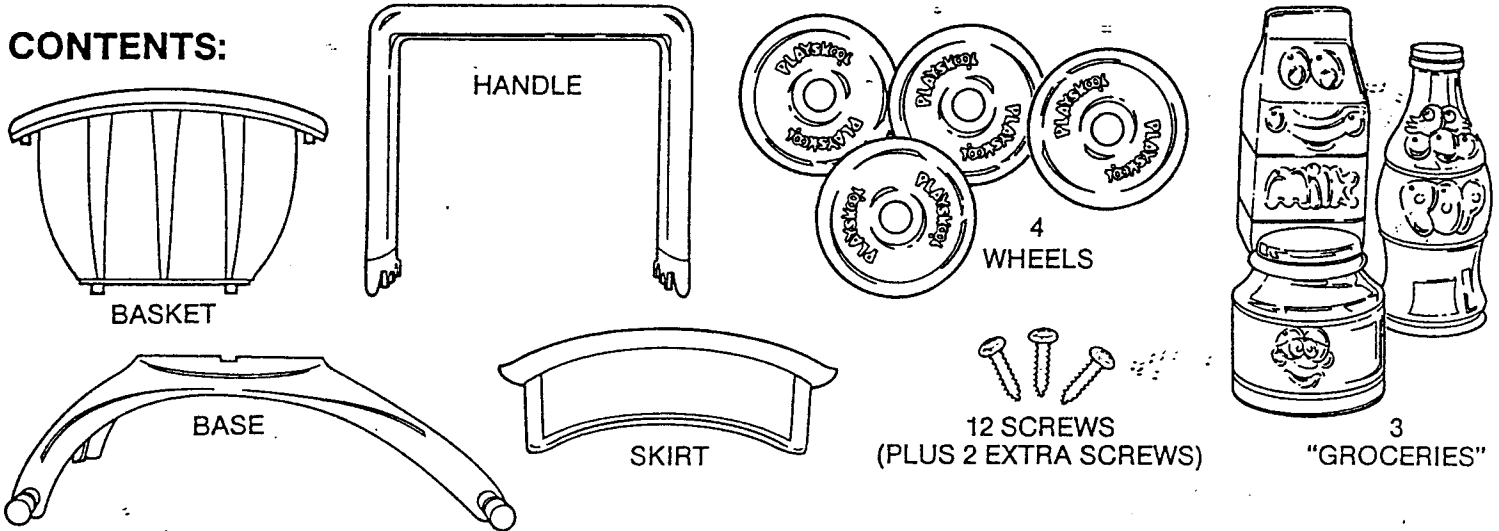


Steady Steps™ Little Walker

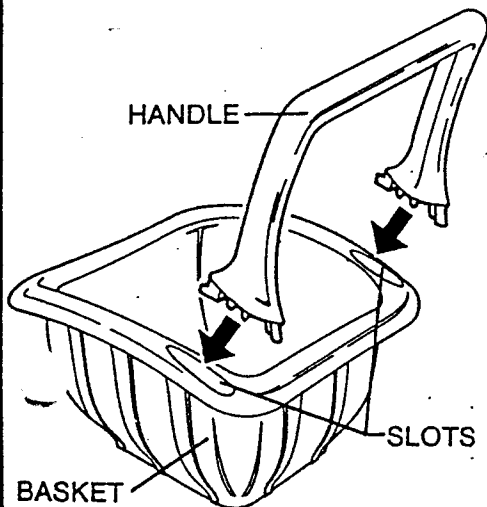
INSTRUCTIONS

CONTENTS:

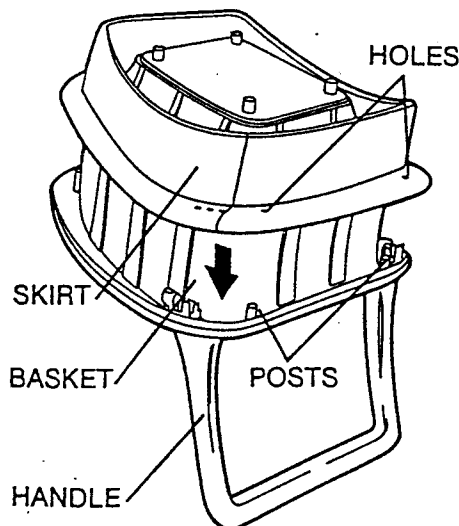


Note: When attaching the screws to the walker, make sure the screws are inserted straight, not on an angle. The screws are attached correctly if the heads of the screws lie flat against the assembly pieces, after the screws have been completely inserted.

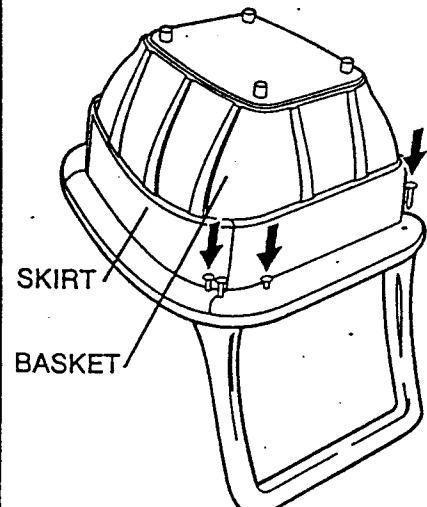
1. When attaching handle to basket, it is easier to attach one side of handle at a time. With handle curving away from basket, insert hooked tab on end of handle into slot in basket. Press the remaining part of handle into hole. You may have to move the handle back and forth to insert it into the hole completely.



2. Holding handle in place, turn basket over so that bottom of basket faces up. Slip skirt over basket, inserting posts on handle into holes in skirt. Make sure posts are securely attached to skirt.

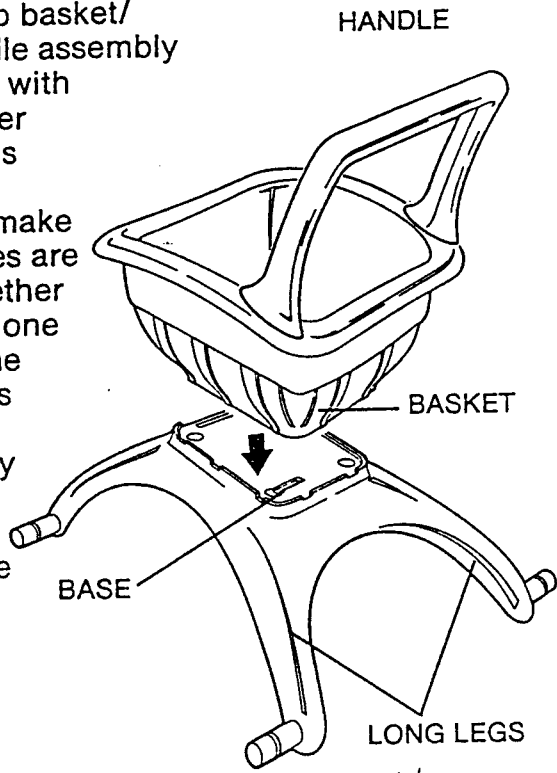


3. Hold handle, skirt and basket firmly together, with the bottom of the skirt rim facing up. Using a Phillips head screwdriver, insert two (2) screws into each side of skirt to secure handle to basket and skirt. Insert four (4) screws into skirt to attach skirt to basket.

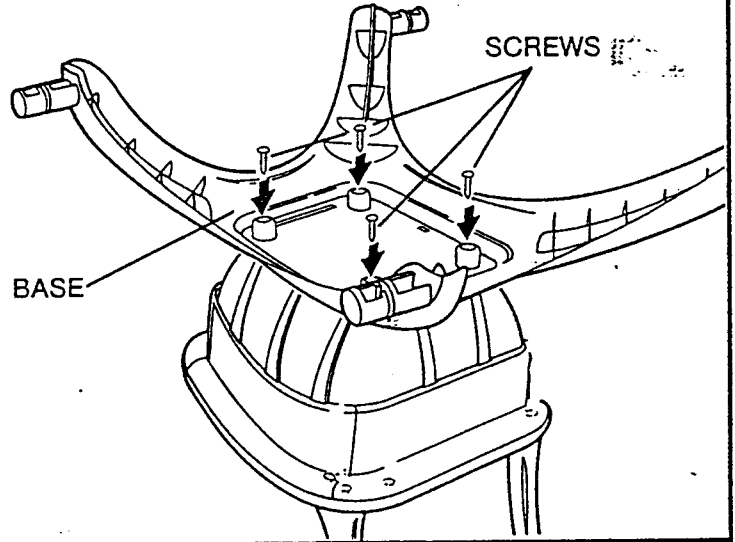


4. Snap basket/skirt/handle assembly onto base with handle over longer legs as shown.

Note: To make sure pieces are fitted together correctly, one post on the basket has a tab that aligns only with the notched hole in the base.

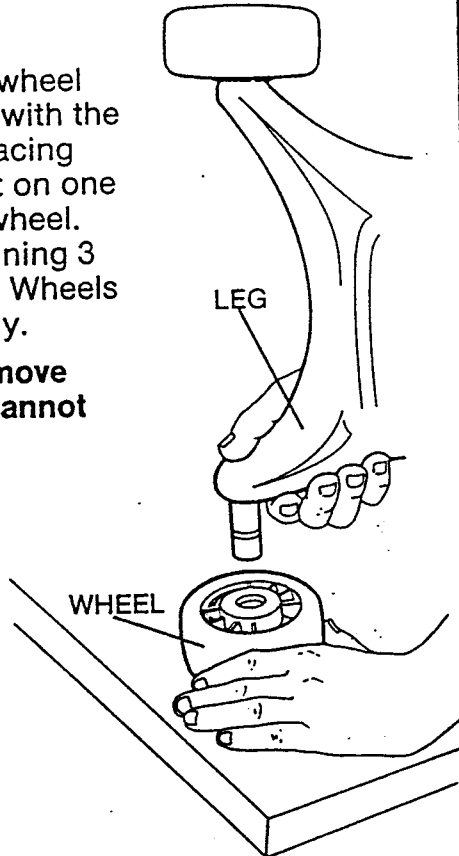


5. Holding entire assembly together, turn it over so that base faces up. Insert four (4) screws into base to secure base to basket/skirt/handle assembly.

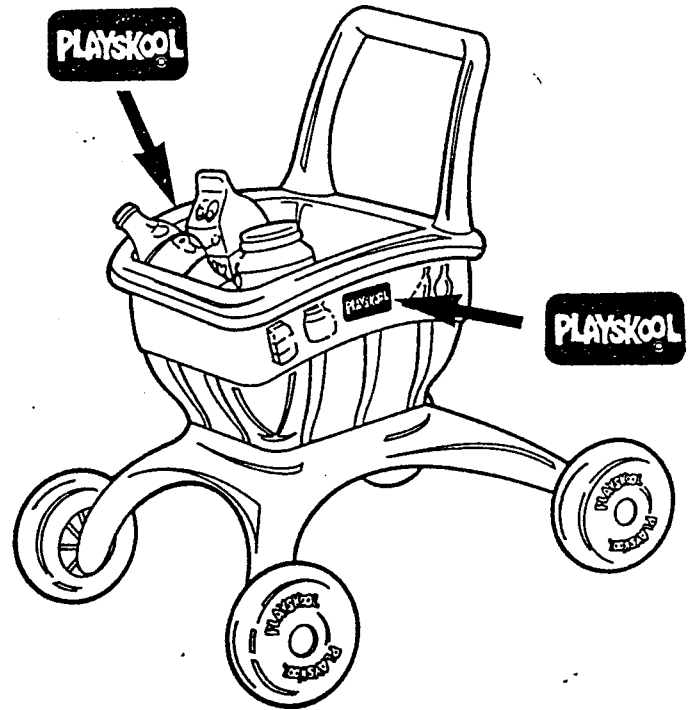


6. Place one wheel on a flat surface with the Playskool logo facing down. Snap post on one leg into hole in wheel. Repeat for remaining 3 wheels and legs. Wheels should spin freely.

Note: Do not remove wheels as they cannot be re-attached.



7. Peel and apply labels as shown.



CAUTIONS

If child cannot walk independently, do not leave child unattended when he or she is playing with Walker. Not to be used as a ride-on or ride-in toy. Make sure screws are securely attached.