

Ages: 9-24 mos.
MAXIMUM WEIGHT: 30 LBS.



Steady Steps® Walk 'n Ride™

Thank you for purchasing the Steady Steps Walk 'n Ride from Playskool! If you have questions, comments or concerns about this product, please call Playskool toll free at 1-800-PLAYSKL (1-800-752-9755).

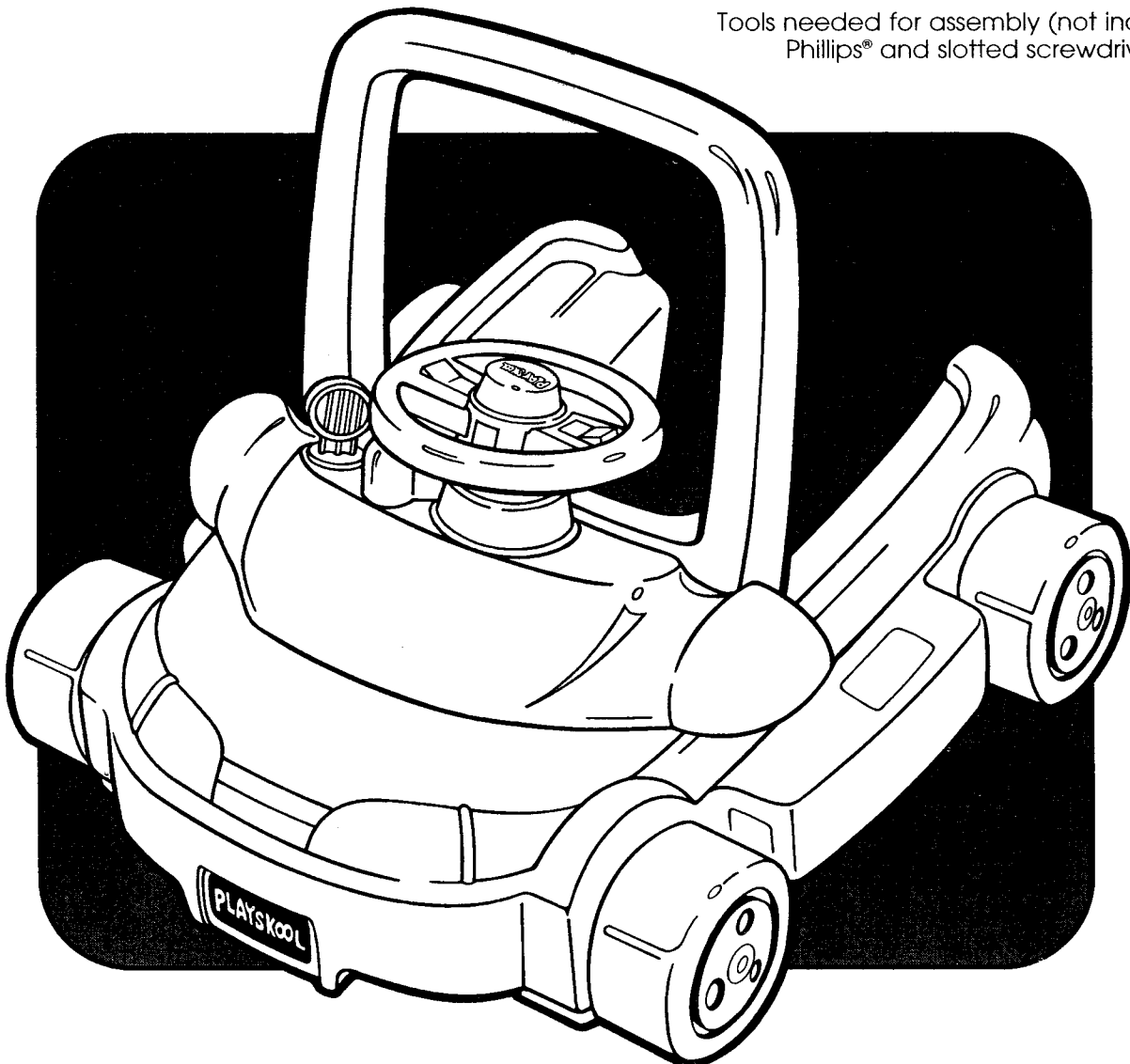
ADULTS PLEASE NOTE:

- PLEASE keep these instructions for future reference to convert the toy to a different position and properly lock the handle/seat in place.
- THIS product should be assembled by an adult.
- PERIODICALLY check all hardware to be sure it is secure.
- PLEASE read instructions prior to assembly. Study each step carefully to familiarize yourself with procedure and parts.
- THE LATCH **MUST** be used in both the walker and the ride-on positions to lock the handle/seat in place.

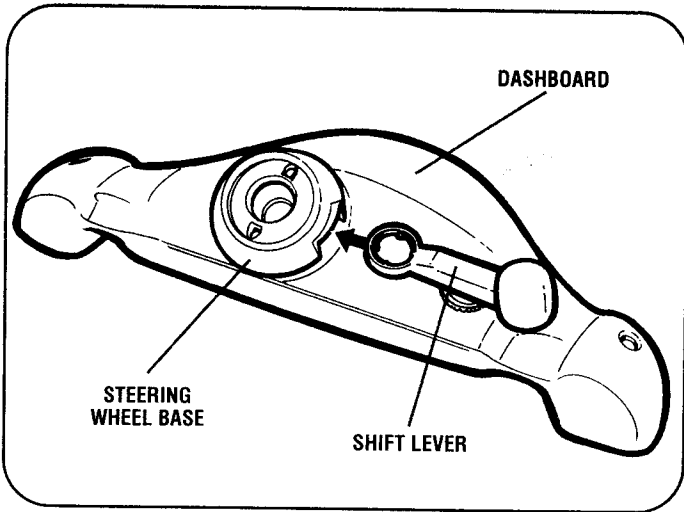
CAUTION: ADULT SUPERVISION AND INSTRUCTION REQUIRED REGARDING THE PROPER USE OF THIS TOY. THIS TOY SHOULD NOT BE USED NEAR STEPS. DO NOT LEAVE CHILD UNATTENDED WHILE USING THIS TOY.

ADULTS: Remove pieces from plastic bag and discard bag immediately.

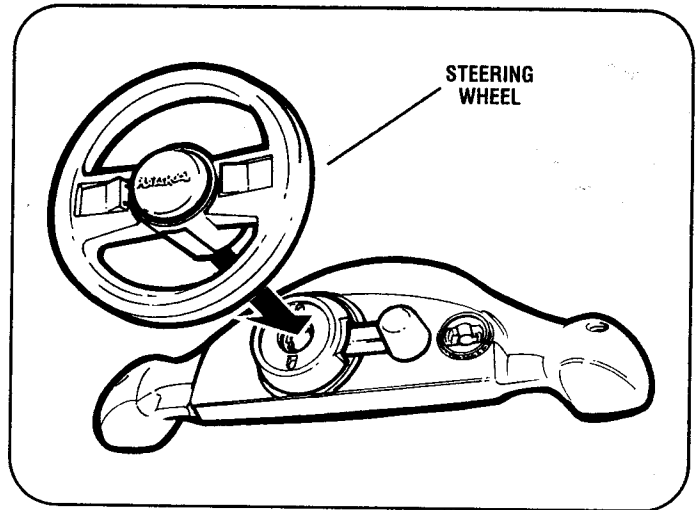
Tools needed for assembly (not included):
Phillips® and slotted screwdrivers.



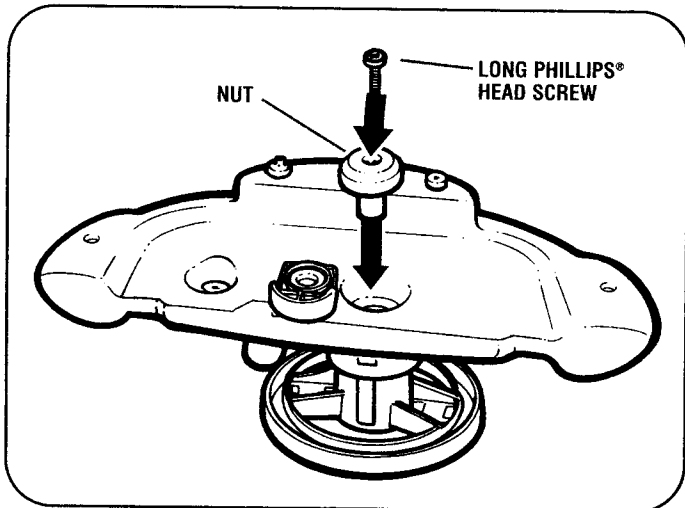
Assembly



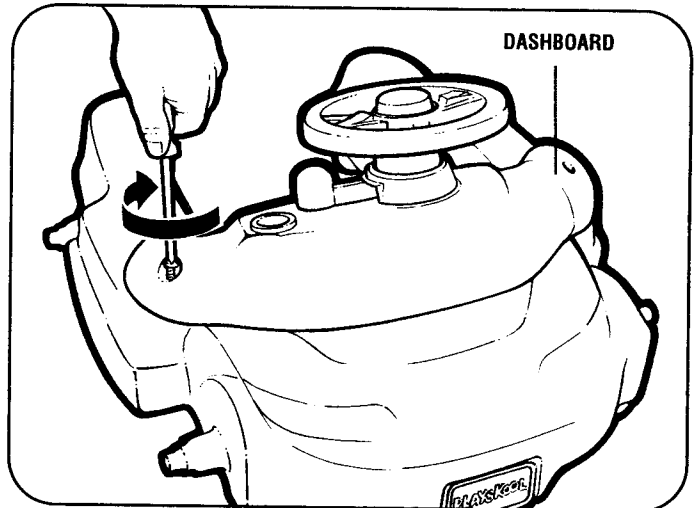
- 1.** Slide shift lever ring into hole in side of steering wheel base.



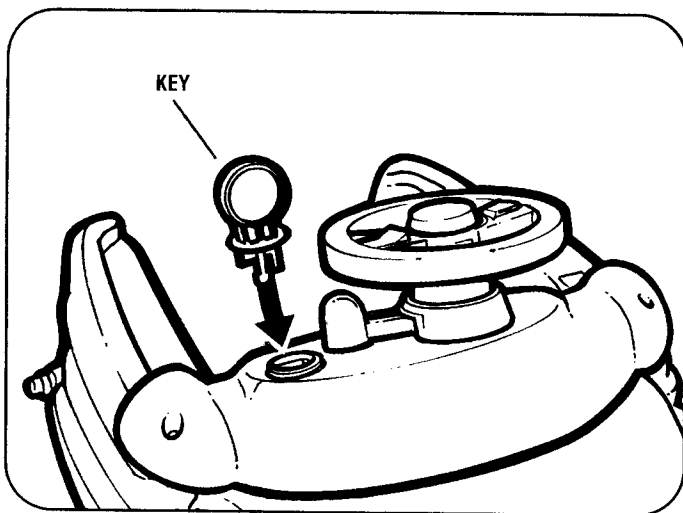
- 2.** Insert steering wheel into steering wheel base.



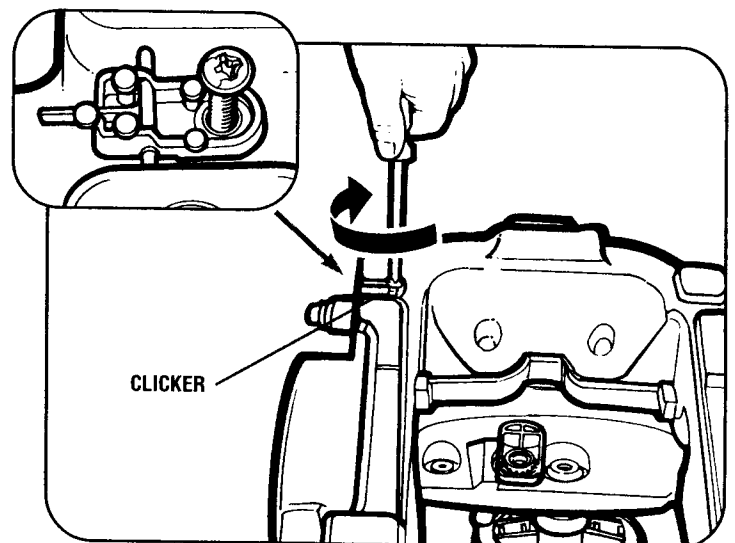
- 3.** Holding shift lever and steering wheel in place, turn dashboard upside down. Make sure shift lever ring hasn't slipped out of place, then insert plastic nut into hole. Place a long Phillips® head screw into nut and hold the dashboard and steering wheel as you tighten the screw.



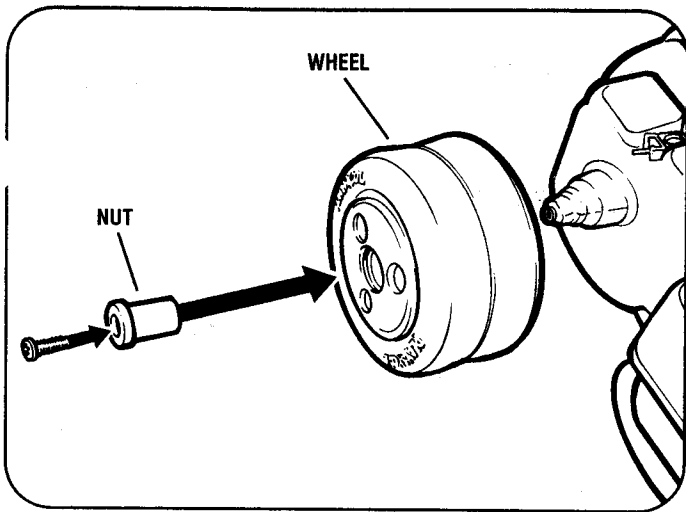
- 4.** Remove long slotted screws and washers from 2 holes in top of body. Place dashboard on toy. With washer on screw, insert screw into hole in dashboard and tighten. Repeat for other screw/washer.



- 5.** Snap key into ignition in dashboard.



- 6.** Turn body upside down. Attach 2 wheel clickers with short Phillips® head screws as shown.



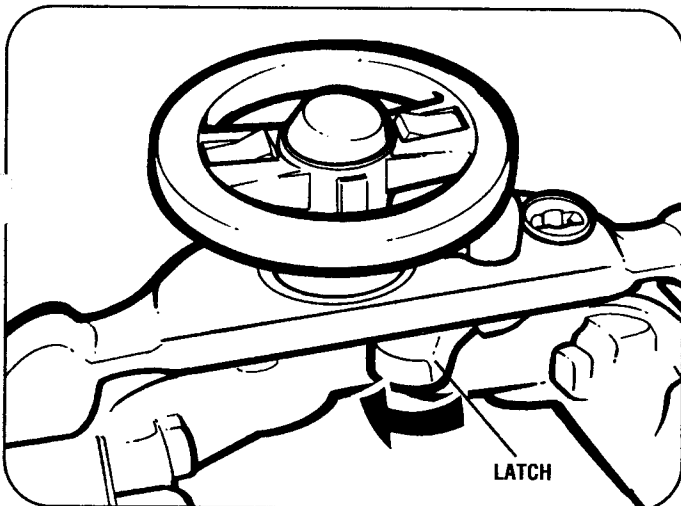
- Place wheel on post, with hubcap design facing out, as shown. Place nut into hole in wheel, insert a short Phillips® head screw into nut and tighten. Repeat for remaining wheels.

PLEASE NOTE:

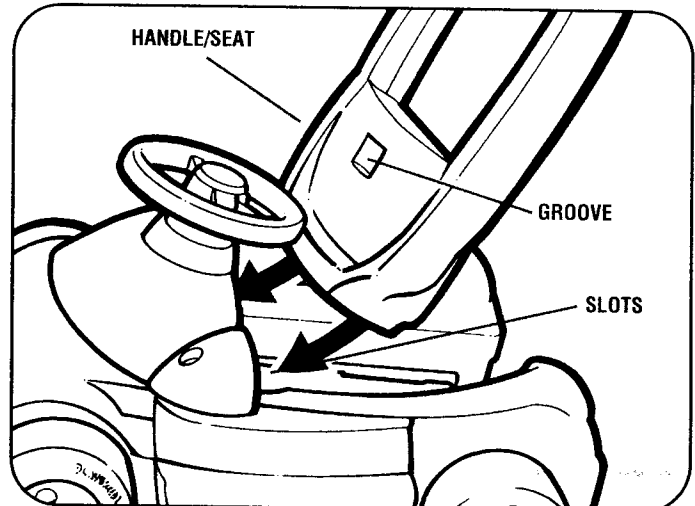
If any of the wheels do not turn freely after assembly, slightly loosen the screw in the wheel (twist the screw 1 1/2 turns), until the wheel turns freely. (Use a Phillips® screwdriver to do this.)

Walker Position

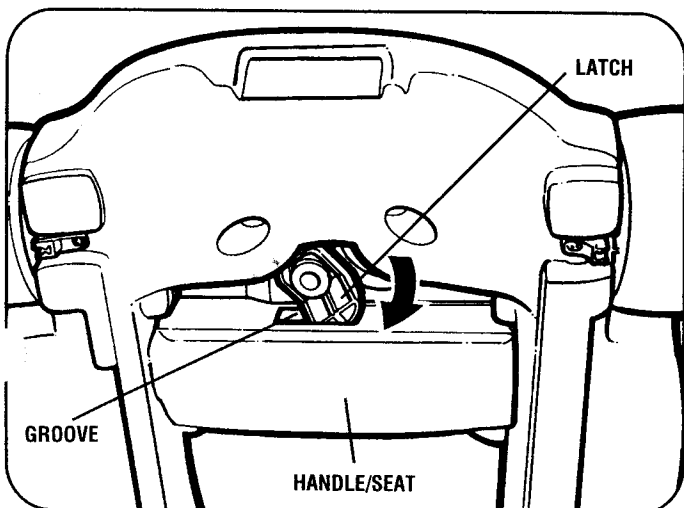
Note: The latch **MUST** be used in both the walker and the ride-on positions to lock the handle/seat in place.



- If necessary, reach under dashboard and turn latch so that it is completely under the dashboard.



- Slide handle/seat into slots in side of toy — make sure latch groove faces toward dashboard.

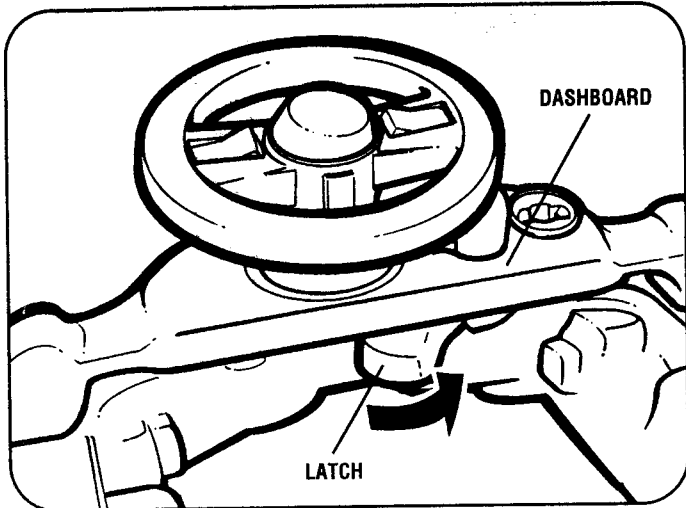


- Holding handle/seat in place, turn toy upside down. Reach under dashboard and turn latch until it is completely in latch groove.

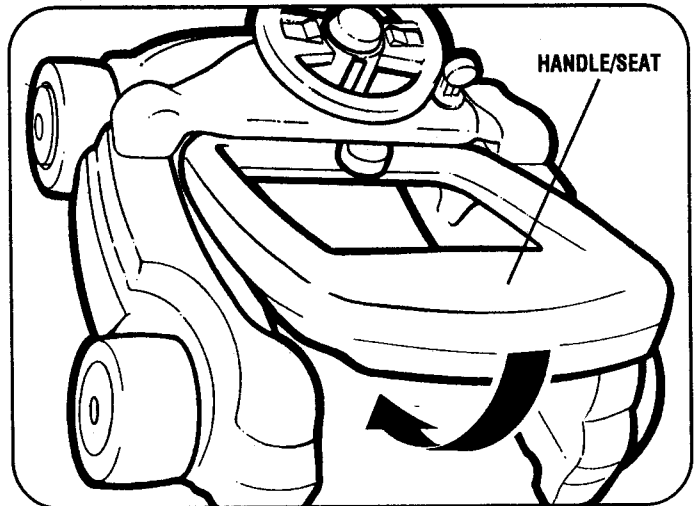
- To remove handle/seat when converting to ride-on position, reach under dashboard and turn latch until it is out of latch groove. Remove handle/seat from toy.

Ride-on Position

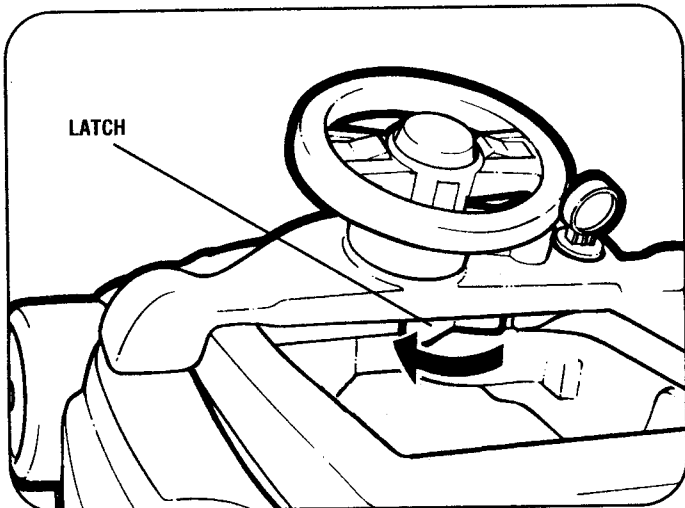
Note: The latch **MUST** be used in both the walker and the ride-on positions to lock the handle/seat in place.



1. If handle/seat is in walker position, remove it from toy. Turn latch so that it sticks out from under the dashboard.



2. Slide handle/seat into place as shown.



3. Turn latch under dashboard to lock handle/seat in place.



For future reference, our toll-free consumer service number is also located on this product.

Product and colors may vary.

© 1994 Playskool, Inc., Pawtucket, RI 02862 USA, a subsidiary of Hasbro, Inc. All Rights Reserved.

® denotes Reg. U.S. Pat. & TM Office. U.S. Patent Pending. **MADE IN THE USA.**

5494 P/N 45111302