

**PLAYSKOOL®**  
*baby*

Steady Steps®  
**Walker Stroller**

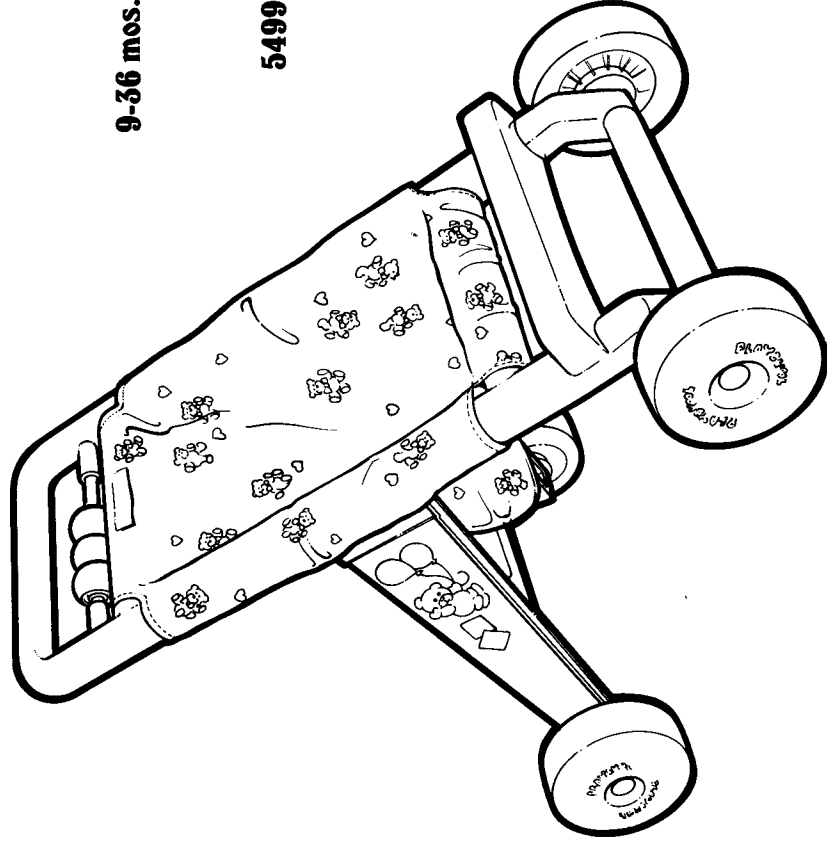
First a walker ... later a doll stroller!

5499

**INSTRUCTIONS**

9-36 mos.

5499



**SAFETY NOTES**

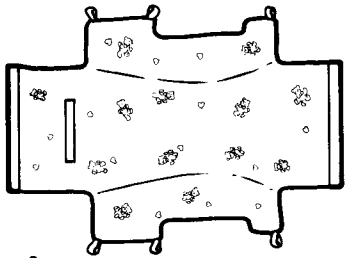
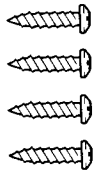
**Not to be used as a ride-on or ride in toy.**

If child cannot walk independently, do not leave him/her unattended when playing with walker. Make sure screws are securely attached.

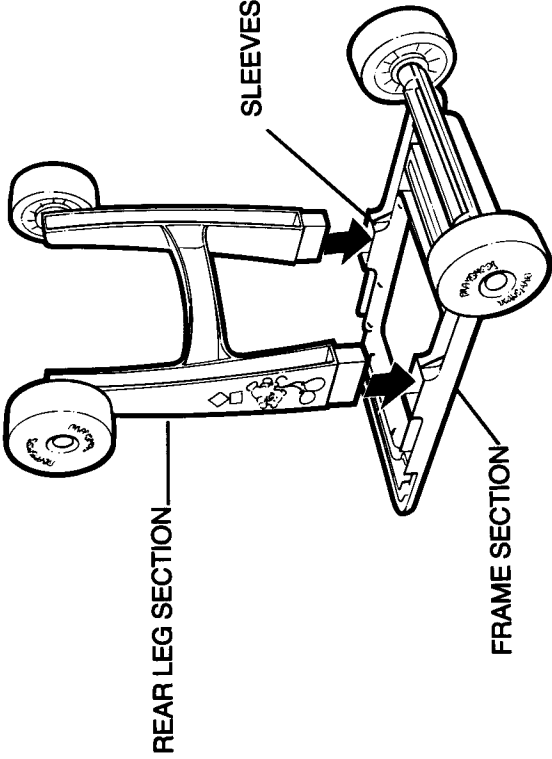
PHILLIPS SCREWDRIVER NEEDED FOR ASSEMBLY

**PARTS LIST:**

**SCREWS**



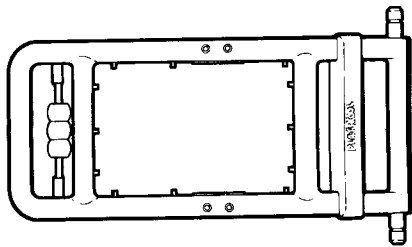
**FABRIC SEAT**



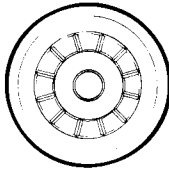
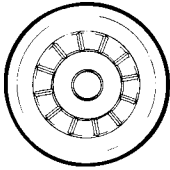
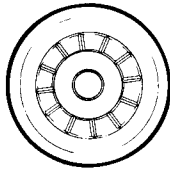
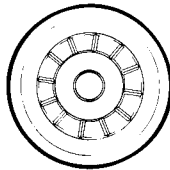
**REAR LEG SECTION**

**FRAME SECTION**

**SLEEVES**

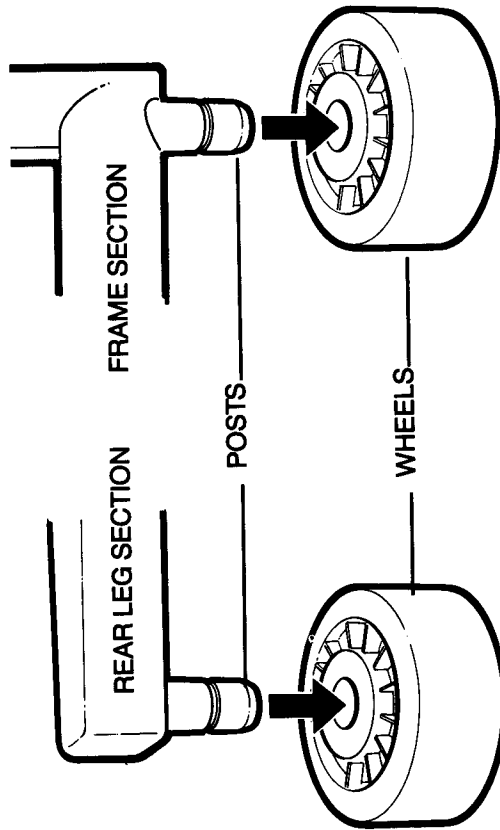


**FRAME SECTION**



**4 WHEELS**

1. Attaching wheels to rear leg section and frame section is a snap. Place one wheel on a flat surface with the Playskool logo facing down. Snap post on one section into hole in wheel. Repeat for remaining wheels and posts.



**REAR LEG SECTION**

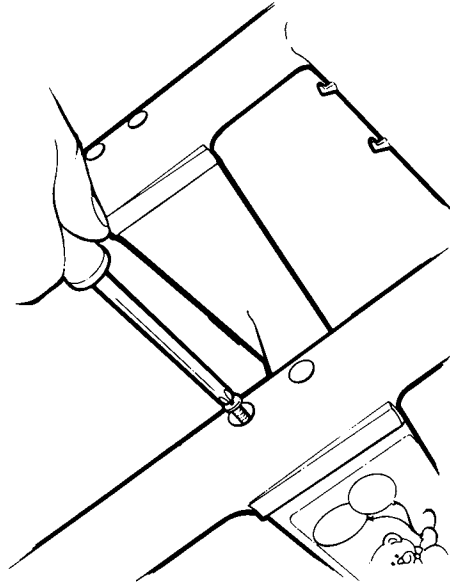
**FRAME SECTION**

**POSTS**

**WHEELS**

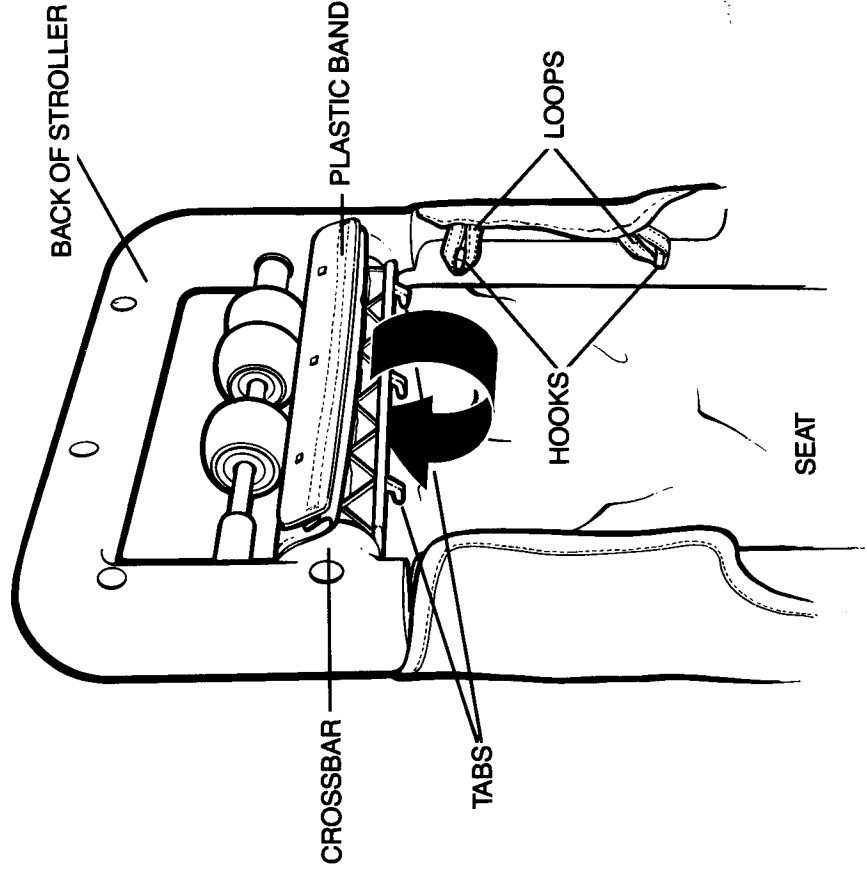
**Note:** Do not remove wheels because they cannot be reattached.

3. Turn assembly over and, with a Phillips screwdriver, tighten 4 screws into holes as shown.



**Note:** When attaching screws to the walker, make sure they are inserted straight — not on an angle. Screws are attached correctly if the heads of the screws lie flat against the assembly pieces after the screws have been completely inserted. Do not overtighten screws.

4. The walker is complete when you add the seat! Simply curl top and bottom of seat around frame section crossbars and fasten by threading tabs through holes on plastic bands. Place loops onto side hooks as shown.



**Note:** Seat is designed to hold dolls only. NEVER allow a child to sit in the seat.

#### WASHING INSTRUCTIONS FOR SEAT

Machine wash separately on gentle cycle with cold water and mild detergent. Do not bleach. Tumble dry on low heat setting.



Questions? Call:

**1-800-PLAYSKL**

©1989 Playskool, Inc., Pawtucket, RI 02862, a subsidiary of Hasbro, Inc. All Rights Reserved.  
Made in the U.S.A. Seat made in China.  
5499 P/N 41093800