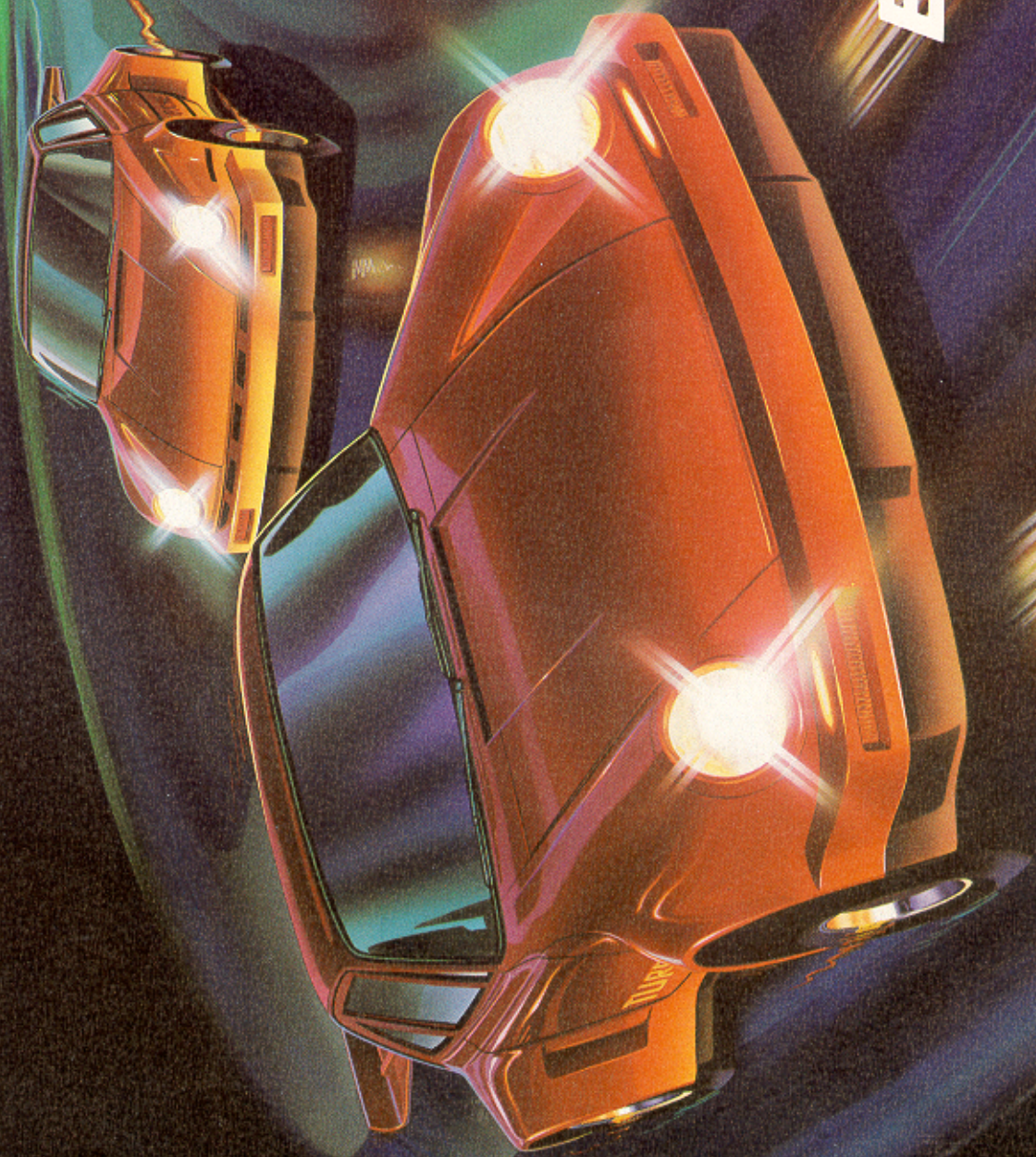


Instructional Guide For

SUPER SCALE RACING™



series
EURO 500™
1/32 scale

MB

Milton Bradley

CONTENTS

TRACK LAYOUT	2
SPECIAL TRACK SECTIONS	4
DRIVING ON THE SUPER SCALE TRACK	5
TROUBLE SHOOTING	6
TRACK CONFIGURATIONS	8
TOTAL PARTS	11
WARRANTY	12

NOTE TO PARENTS:

Please read these instructions carefully and explain to your children how to safely operate and care for your Super Scale Racing set. Also, you should periodically inspect all components of your Super Scale Racing set (including tracks, cars and power pack) for any damage. If damage is found, your Super Scale Racing set should not be used until repaired. Caution: use only the power pack provided with your Super Scale set.

CAUTION—ELECTRIC TOY
NOT RECOMMENDED FOR CHILDREN UNDER 8 YEARS OF AGE.
AS WITH ALL ELECTRIC PRODUCTS,
PRECAUTIONS SHOULD BE OBSERVED DURING HANDLING
AND USE TO PREVENT ELECTRIC SHOCK.
INPUT: 120 VAC 50/60 HZ ONLY. OUTPUT: 14 VDC 10W

EURO 500™

SUPER SCALE RACING™ SET

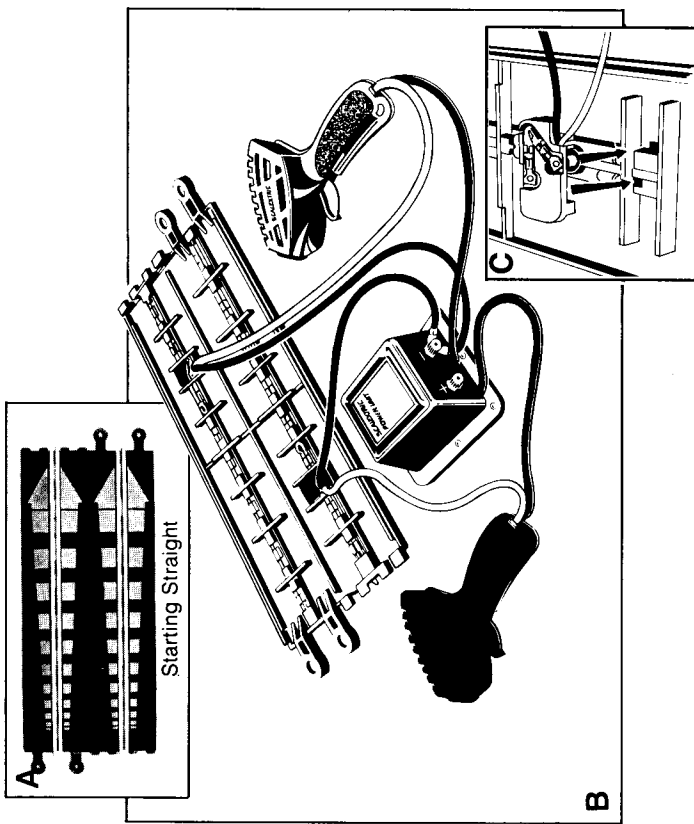
Get ready for fast-track excitement with The Euro 500 Super Scale Racing set! Two power-packed Porsches tear around the huge track with headlights blazing, fighting for the lead. Will victory be yours?

**SUPER SCALE
RACING EXCLUSIVE!
HEADLIGHTS REALLY WORK!**

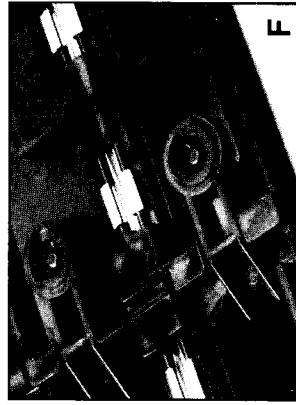
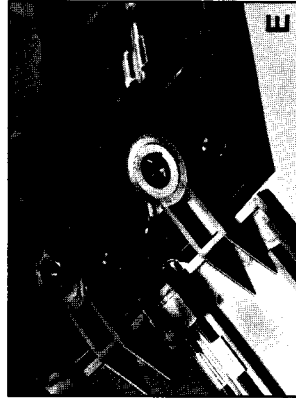
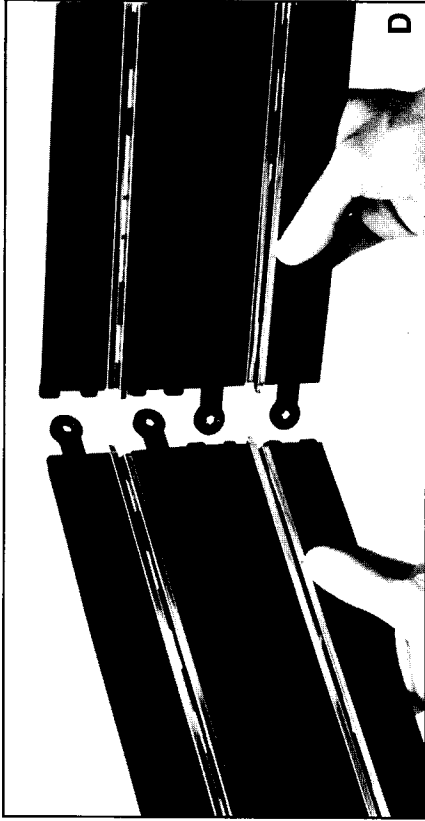
Each Euro 500 car features built-in headlights that really work! And the faster you go, the brighter they shine! Lights are powered right from the track—no extra electrical connections needed.



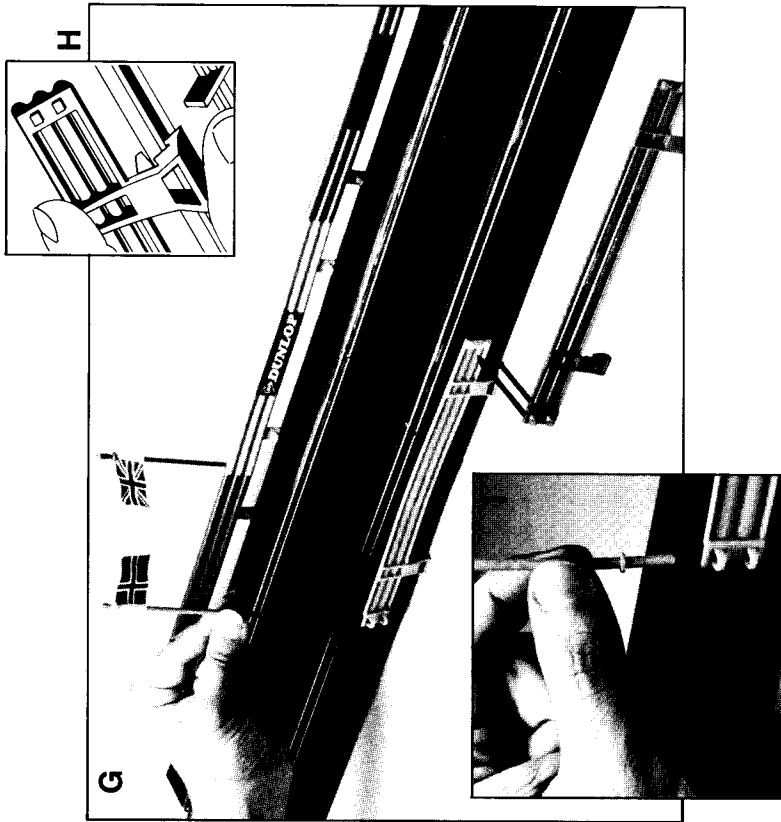
TRACK LAYOUT



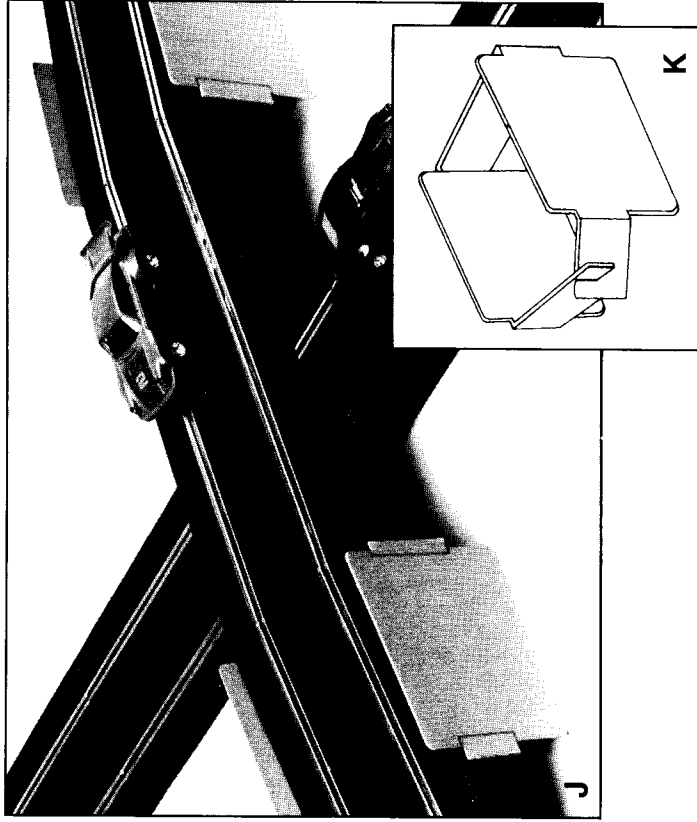
1. The first time you assemble your race track, we recommend building a basic oval shape. (See Track Configurations Section for other layout ideas.) Always assemble track on a clean, flat surface.
2. Begin assembly with the **starting line** section of track shown in Figure A. Turn this section of the track upside down and snap in the two hand controller **terminal plates**, as shown in Figures B and C. (Terminal plates can also be installed on any standard straight section of track.)
3. Connect the red wire from each hand controller to the **positive** terminal (+) on the power pack. Then connect the black wire from each terminal plate to the **negative** terminal (-) on the power pack, as shown in Figure B.



4. Turn the Starting Line track section rightside up—it is now ready for assembly with other track sections.
5. Practice joining a couple of track sections together. Do this by taking 2 pieces of track and making test connections. See Figure D. Track sections snap together as shown in Figures E and F.

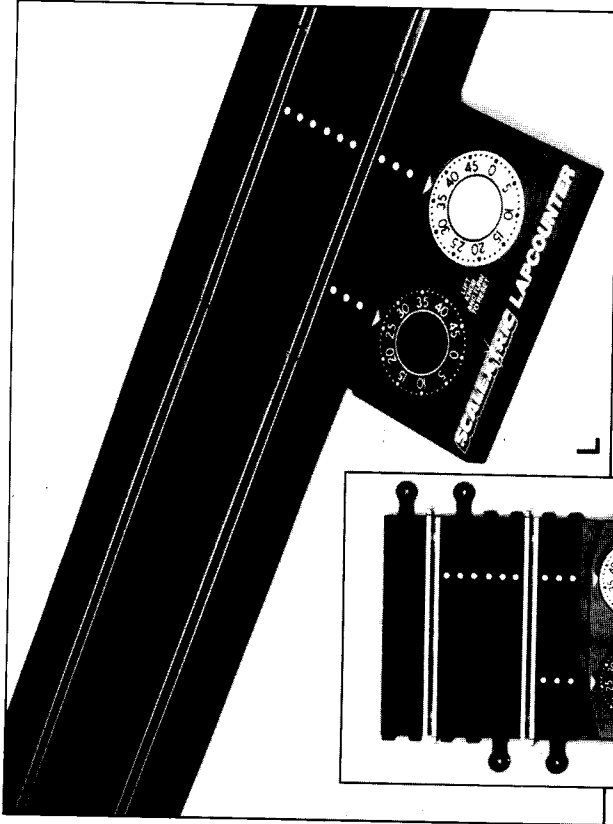


6. After assembling your track layout, attach the **crash barriers** (guard rails) to the outside of the track sections, as shown in Figures G and H. Flag poles fit into crash barriers as shown in Figure I. Self-stick flag labels are enclosed on separate label sheet.



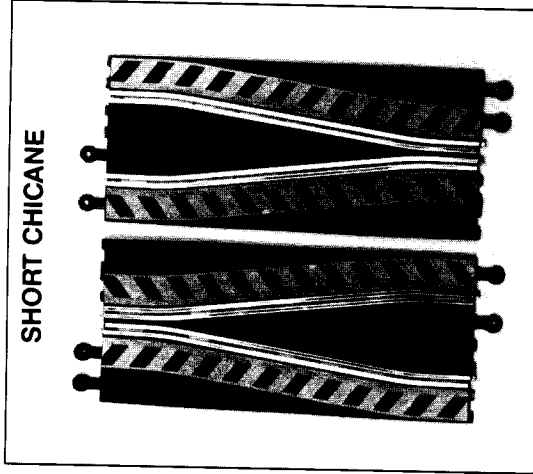
7. When building more complex, cross-over track layouts, assemble and position **bridge supports** as shown in Figures J and K.

SPECIAL TRACK SECTIONS

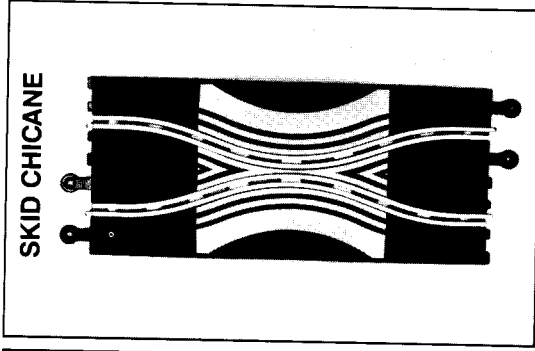


LAP COUNTER

Keep track of every lap! Snap the lap counter onto the track as shown in Figure L. The Lap Counter must be placed flat on a level surface in a straight portion of the track.



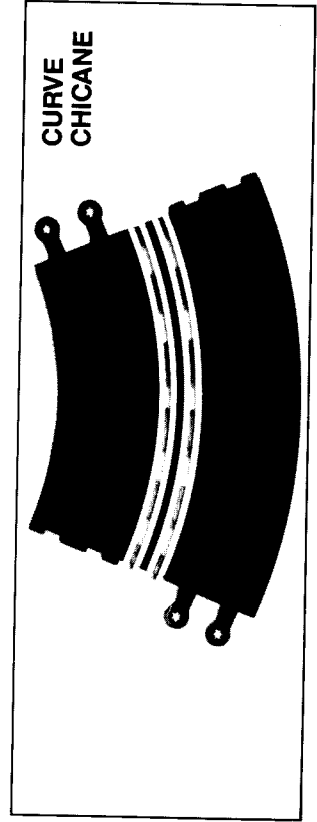
SHORT CHICANE



SKID CHICANE

CHICANE TRACK SECTIONS

Cut-off your opponent's car and build up your lead! Just be the first to reach *The Chicane!* On this section of track the rails come close together, so only one car can pass at a time. See photos above and below for examples of different Chicane track sections.



CURVE CHICANE

DRIVING ON THE SUPER SCALE TRACK



in use and may produce a slight smell when new. This should stop after approximately 5 minutes use.

To avoid over-heating of the hand controllers, do not hold the trigger at one constant speed for longer than 2 minutes. Be sure to vary the speed as you race.

5. Squeeze trigger on hand controller to increase car speed. Lessen your grip to slow your car and release the trigger completely to stop the car.
6. Drive the vehicle around the entire track to make sure all track connections are working properly. If a vehicle fails to run on a section of track, unplug power pack and check all track connections.

1. Plug in power pack. The power pack will get slightly warm with use. Unplug pack when not in use or when adjusting track.
2. Place each car on the track. Make sure plastic guide blade on bottom of car slides into metal slot on track. See Figure M.
3. Check to see that the braided metal pick-ups on the bottom of the car are in contact with the metal rail on the track. (See Car Maintenance section of Troubleshooting instructions for more information pertaining to the pick-ups.)
4. Gently squeeze the trigger of each hand controller to determine which one controls which lane. You may have to reverse the direction of the cars or the terminal plates to get the cars to go in the direction you want. The hand controllers will get slightly warm

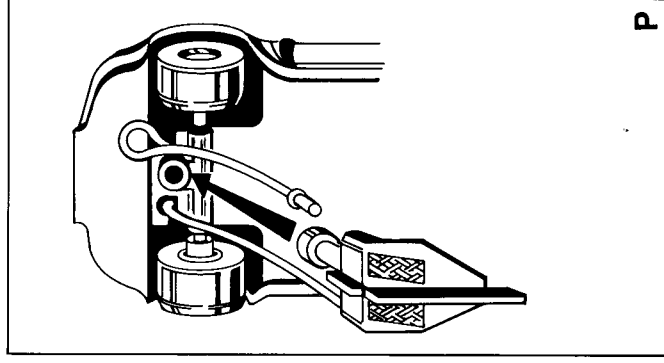
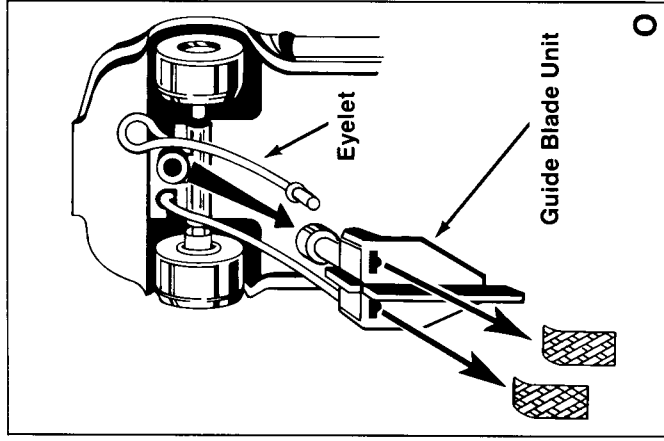
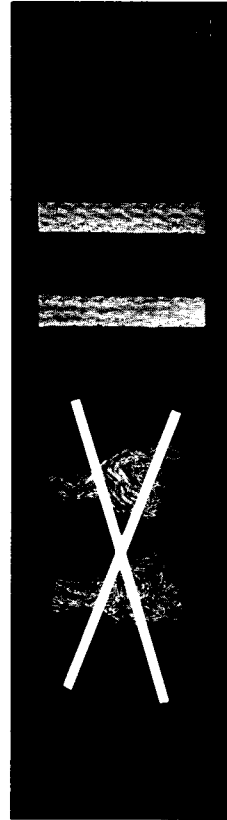
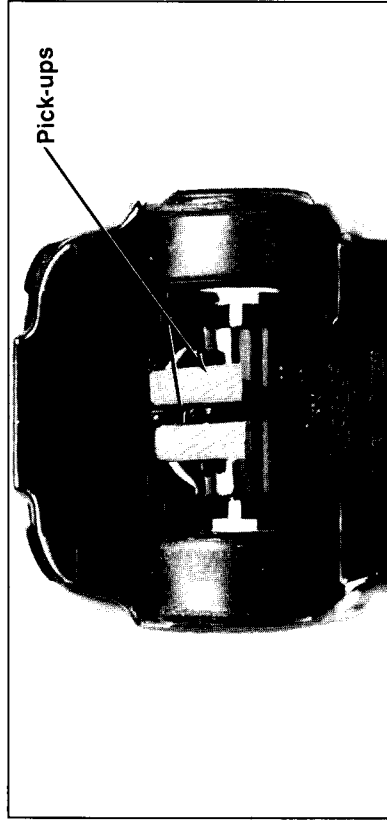
TROUBLE-SHOOTING

TRACK MAINTENANCE

1. Keep track and metal rail surfaces clean using a lint-free cloth. A dirty track may result in poor car performance.
2. If a section of track is not operating properly, unplug power pack and double-check all track connections. Make sure all sections are snapped together properly.

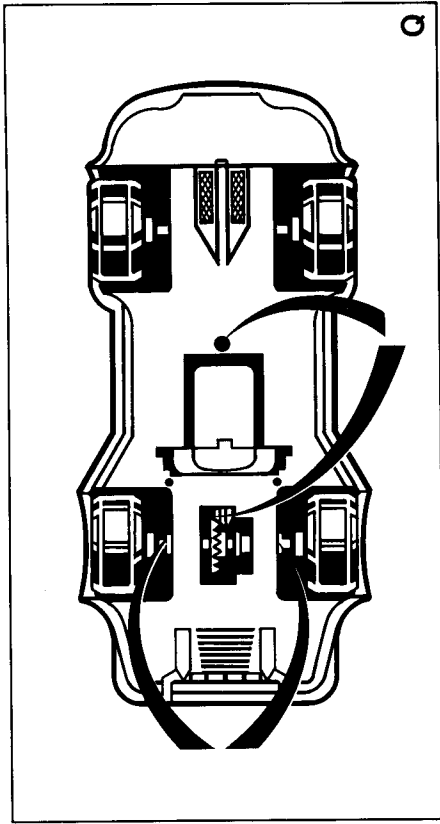
CAR MAINTENANCE

1. Check the two braided metal **pick-ups** located on the bottom of your race cars. These pick-ups transfer power from the track to the car. Pick-ups should be kept neat, clean and of equal length. See Figure N. They may be trimmed with scissors when necessary.



Spare pick-up braids are supplied with each vehicle and may be fitted as follows:

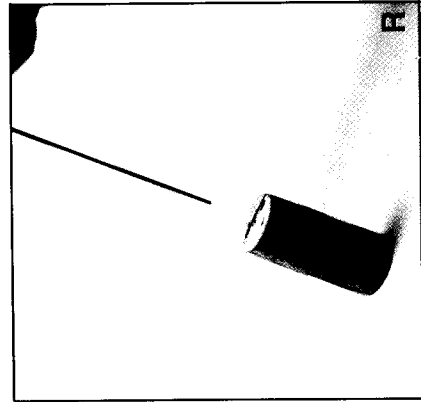
- To replace pick-up braids, you must first remove **guide blade** unit by pulling it down firmly, as shown in Figure O.
- Ease out the wired eyelets from the guide blade unit, as shown in Figure O. The braids can then be removed. Replace with new braids and refit the whole unit, as shown in Figure P.



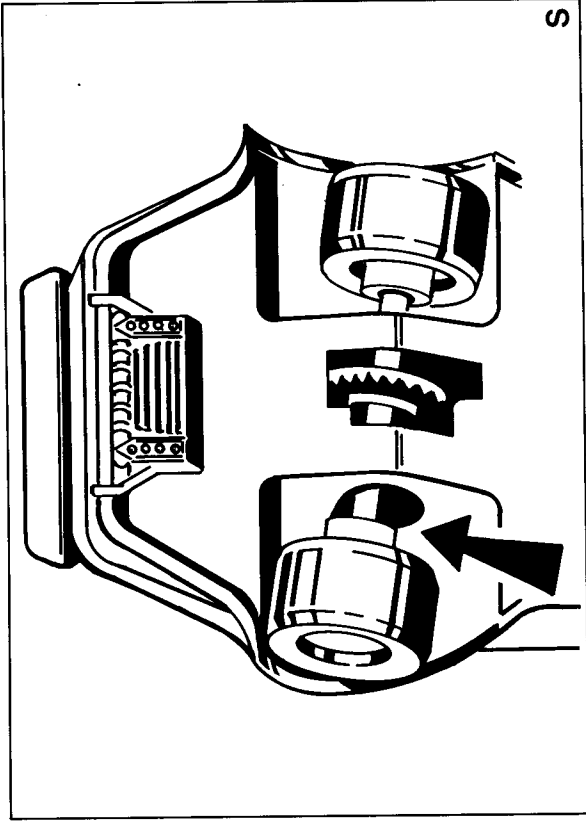
Q

LUBRICATION

To keep your cars operating in peak condition, it is a good idea to lubricate them from time to time. Figure Q shows the lubrication points. Place a few drops of "3 in 1" or similar light machine oil (not included) into a small container and transfer 1 drop onto the parts marked with an arrow. An oiling tool can easily be made from a cork and a paper clip as shown in Figure R. Remember, one drop is sufficient.



R



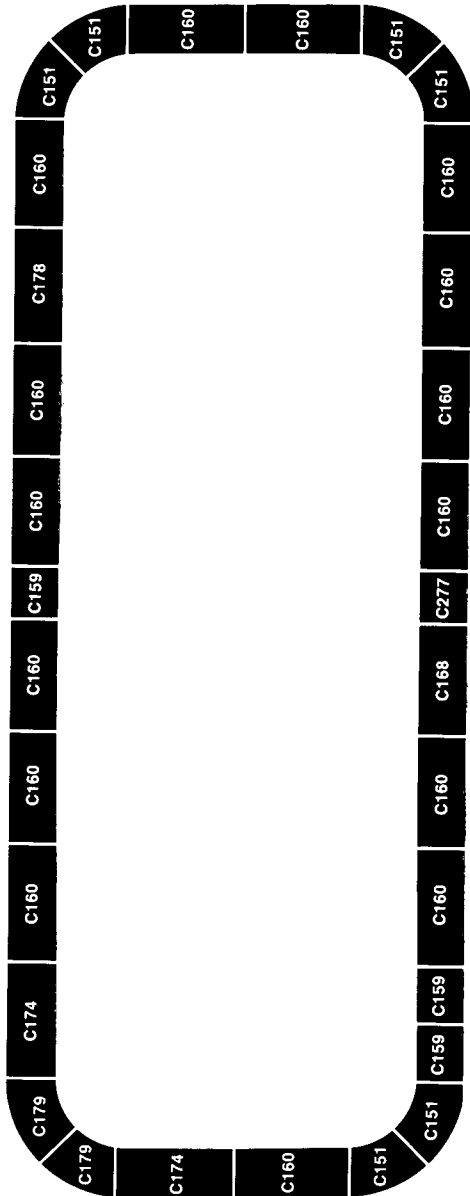
S

AXLES AND BEARINGS

Occasionally, after a heavy impact, the car axle and bearings unit may dislodge as shown by the arrow in Figure S. This is a feature to prevent axle and bearing damage. (The rear axle turns within bearings held to the chassis by keyhole shaped slots.) To repair dislodged axle/bearings, simply snap the axle/bearings back into their keyhole slots.

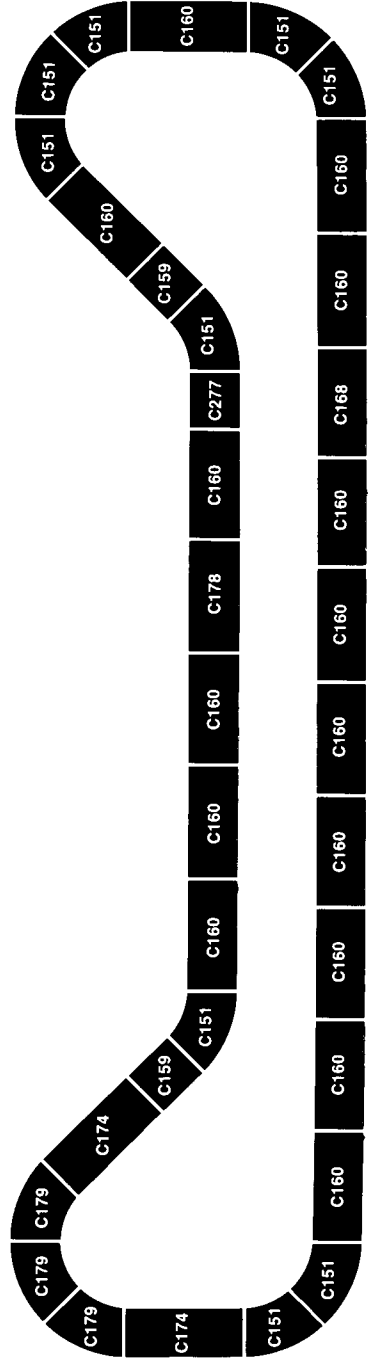
TRACK CONFIGURATIONS

Here are just a few of the track configurations you can build with your Super Scale Racing Set.



Track sections needed to make configuration #1

- 1 Starting Straight C168
- 15 Standard Straight C160
- 3 Straight (1/2) C159
- 6 Standard Curve C151
- 2 Standard Curve Chicane C179
- 2 Short Chicane (2 Pieces) C174
- 1 Skid Chicane C178
- 1 Lap Counter C277

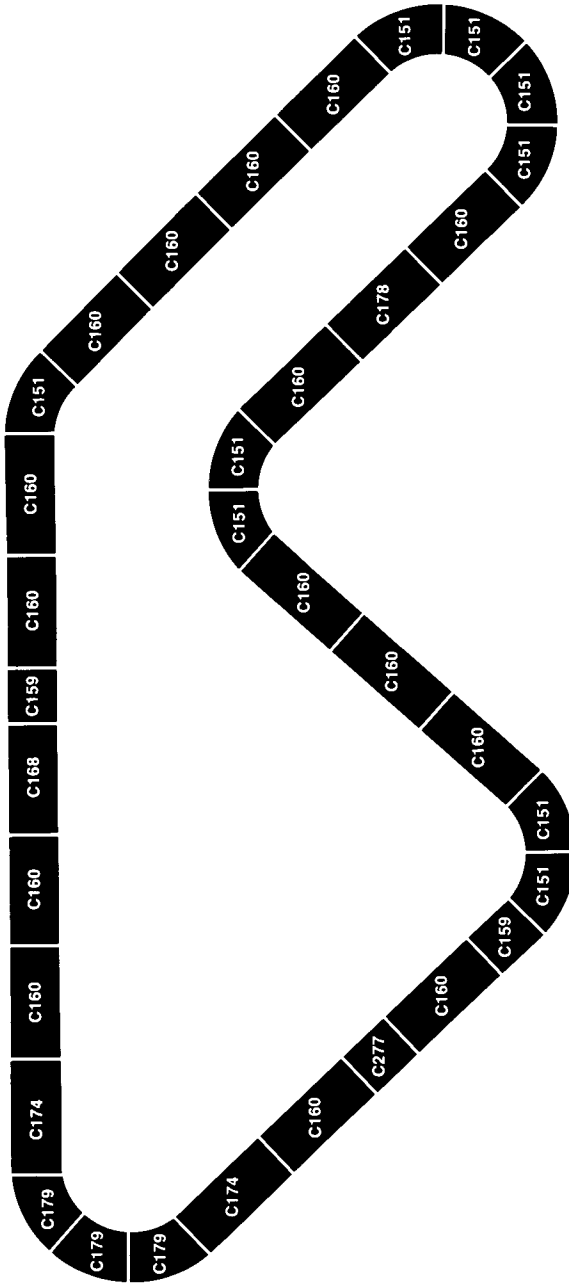


Track sections needed to make configuration #2

- 1 Starting Straight C168
- 15 Standard Straight C160
- 2 Straight (1/2) C159
- 9 Standard Curve C151
- 3 Standard Curve Chicane C179
- 1 Short Chicane (2 Pieces) C174
- 1 Skid Chicane C178
- 1 Lap Counter C277

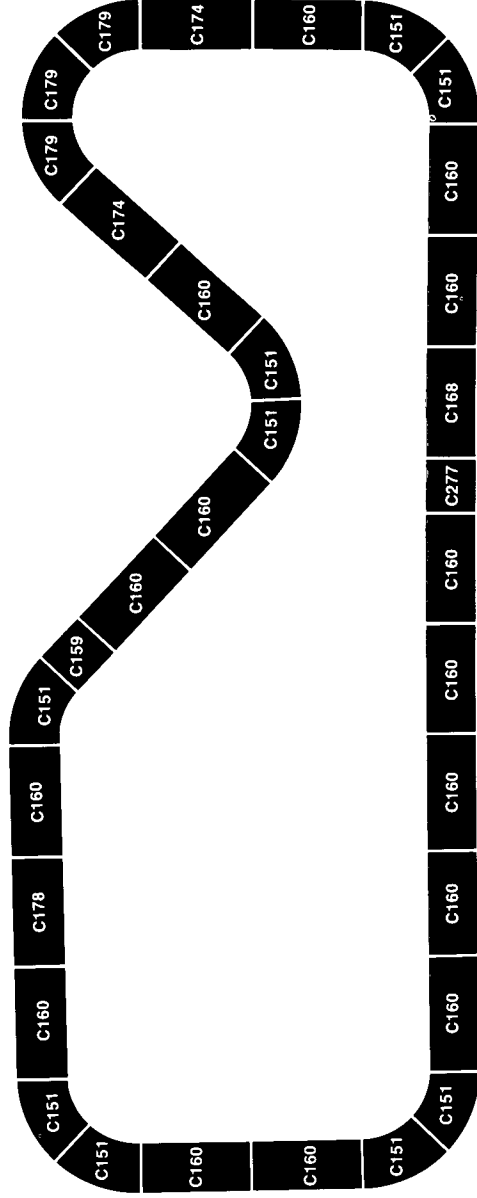
Track sections needed to make configuration #3

- 1 Starting Straight C168
- 15 Standard Straight C160
- 2 Straight (1/2) C159
- 9 Standard Curve C151
- 3 Standard Curve Chicane C179
- 1 Short Chicane (2 Pieces) C174
- 1 Skid Chicane C178
- 1 Lap Counter C277



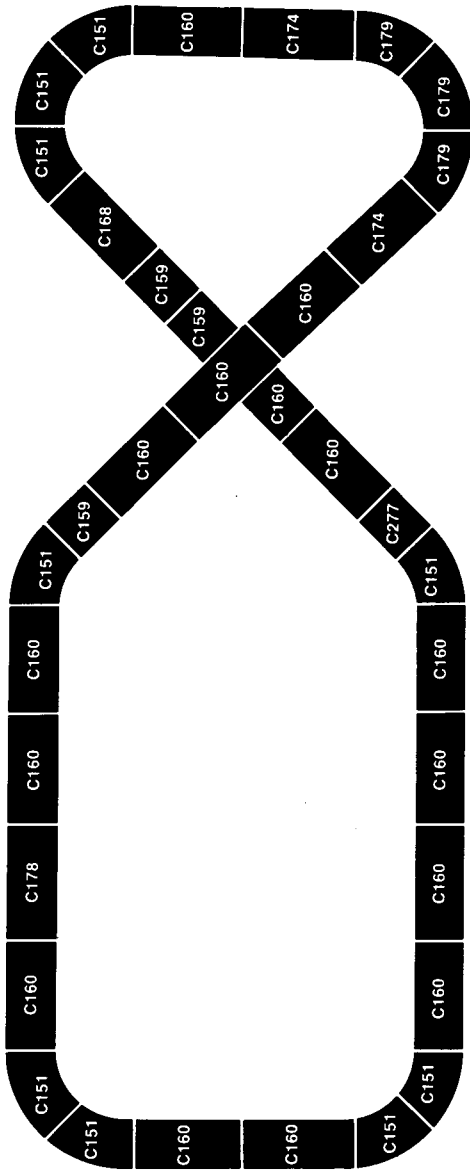
Track sections needed to make configuration #4

- 1 Starting Straight C168
- 15 Standard Straight C160
- 1 Straight (1/2) C159
- 9 Standard Curve C151
- 3 Standard Curve Chicane C179
- 1 Short Chicane (2 Pieces) C174
- 1 Skid Chicane C178
- 1 Lap Counter C277



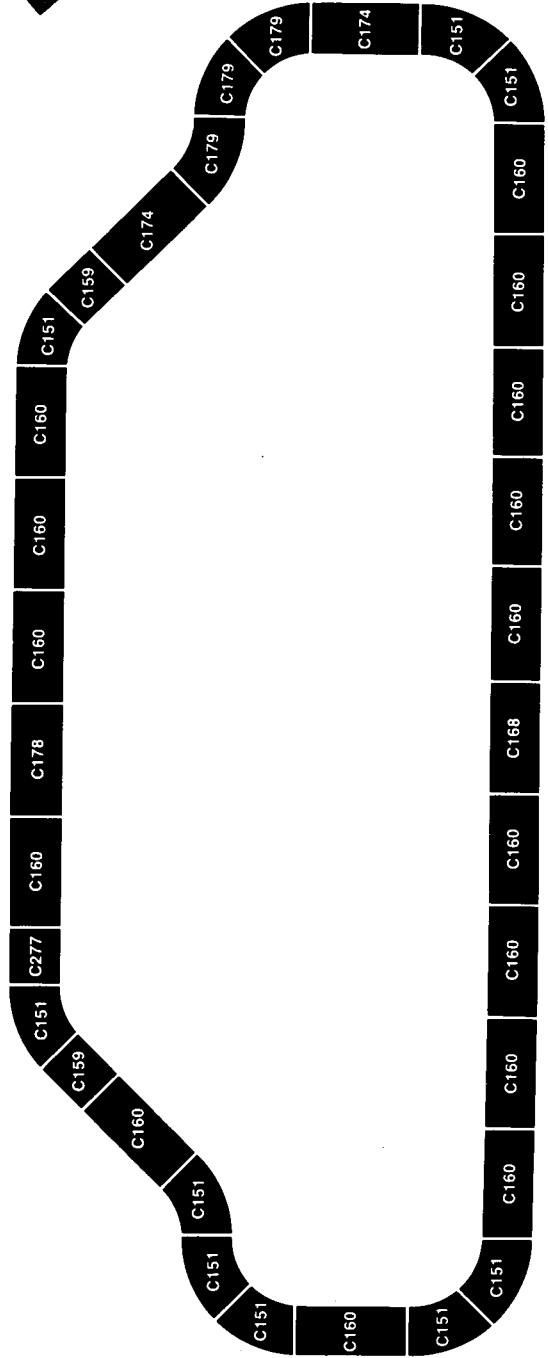
Track sections needed to make configuration #5

- 1 Starting Straight C168
- 15 Standard Straight C160
- 3 Straight (1/2) C159
- 9 Standard Curve C151
- 3 Standard Curve Chicane C179
- 1 Short Chicane (2 Pieces) C174
- 1 Skid Chicane C178
- 1 Lap Counter C277



Track sections needed to make configuration #6

- 1 Starting Straight C168
- 15 Standard Straight C160
- 2 Straight (1/2) C159
- 9 Standard Curve C151
- 3 Standard Curve Chicane C179
- 1 Short Chicane (2 Pieces) C174
- 1 Skid Chicane C178
- 1 Lap Counter C277



TOTAL PARTS

C178
 1 Skid Chicane

C174
 1 Short Chicane (2 pieces)

C160
 15 Standard Straight

C179
 3 Standard Curve Chicane

5-203
 2 Bridge Supports

C151
 9 Standard Curve

C159
 3 Straight

C277
 1 Lap Counter

C297
 1 Hand Controller

C298
 1 Hand Controller

S8953/617
 18 Crash Barriers
 9 Flag Supports

C936
 1 Power Pack

M DII
LUCAS
C274
 4 Flag Label Sheets

C910
 6 Replacement Braids

C483
 1 Black Porsche with lights

C482
 1 Red Porsche with lights

90 DAY LIMITED WARRANTY (Super Scale Racing Set)

Your Super Scale Racing Set is warranted by Milton Bradley Company for a period of 90 days from the original purchase date under normal use and service against defective workmanship and materials.

This warranty is void if Super Scale has been damaged by accident or unreasonable use, neglect, misuse, abuse, improper service or other causes not arising out of defects in workmanship or materials.

During the warranty period, if found to be defective due to workmanship or materials, Super Scale will either be repaired or replaced with a new or reconditioned product of an equivalent quality (at Milton Bradley's option) without charge to the purchaser when returned with proof of purchase date, shipping prepaid to the address listed below. In the event that Super Scale is replaced, the warranty on the replacement will be continued for 90 days.

This warranty gives you specific legal rights and you may also have other rights which vary from state to state.

If you have any questions regarding this warranty, you may call the toll-free number shown on the enclosed certificate.

SUPER SCALE RACING
MILTON BRADLEY COMPANY
Springfield, MA 01101